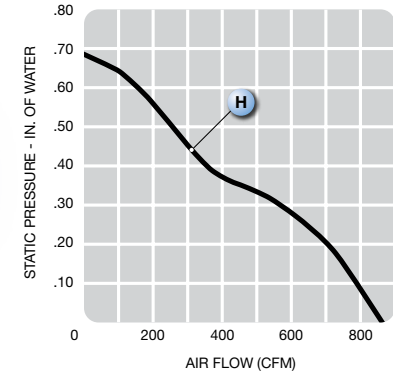
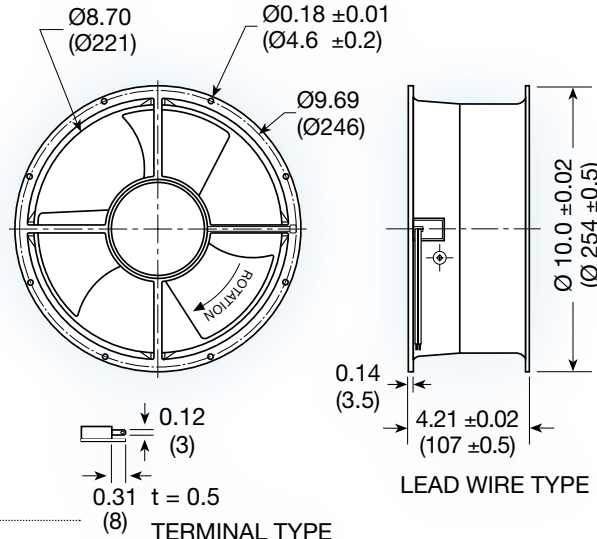


UF25HC series



(254 dia. x 107 mm)
10.0 dia. x 4.21 inches

Operating voltage: 115 or 230 VAC

Construction: aluminum die cast frame;
UL94V-0 PBT impeller

Bearing option: ball bearing

Motor: permanent split capacitor

Air Flow: exhaust over struts

Connection: terminal or 22 AWG lead wire

Protection: thermal

Option: dual voltage 115/130VAC

TERMINAL TYPE

LEAD WIRE TYPE

| Model No. | Rated Voltage V | Freq. HZ | Input Power W | Rated Cur. A | Locked Cur. A | Speed RPM | Air Volume | | Max. Static Pressure (H ₂ O) | | Sound Noise dbA | Weight kg |
|--------------|--------------------|-------------|------------------|-----------------|------------------|--------------|----------------------|-----|---|------|--------------------|--------------|
| | | | | | | | M ³ /Min. | CFM | MM | INCH | | |
| UF25HC12-__H | 115 | 60 | 125 | 1.07 | 1.50 | 2,750 | 24 | 850 | 17.5 | 0.68 | 65 | 2.50 |
| UF25HC23-__H | 230 | 60 | 125 | 0.50 | 0.75 | 2,750 | 24 | 850 | 17.5 | 0.68 | 65 | 2.50 |

