

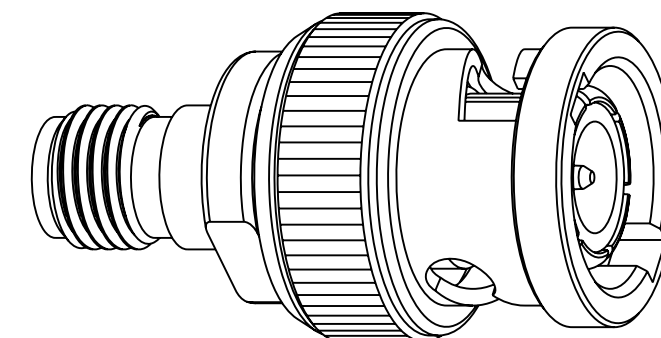
NOTES:

1. MATERIALS AND FINISHES:
 BNC BODY PLUG - BRASS, NICKEL PLATING.
 SMA BODY JACK - BeCu, GOLD PLATING.
 CONTACT - BRASS, GOLD PLATING
 INSULATOR - PTFE
2. ELECTRICAL:
 A. IMPEDANCE: 50 OHM
 B. DIELECTRIC WITHSTANDING VOLTAGE: 1000 VRMS MIN.
3. MECHANICAL:
 A. DURABILITY: 500 CYCLES MIN.
4. ENVIRONMENTAL:
 A. TEMPERATURE RANGE: -65°C TO +165°C
5. PACKAGING:
 A. QUANTITY: SINGLE PACK
 B. MARKING: BAG TO BE MARKED
 "AMPHENOL RF, 901-165, AND DATE CODE"

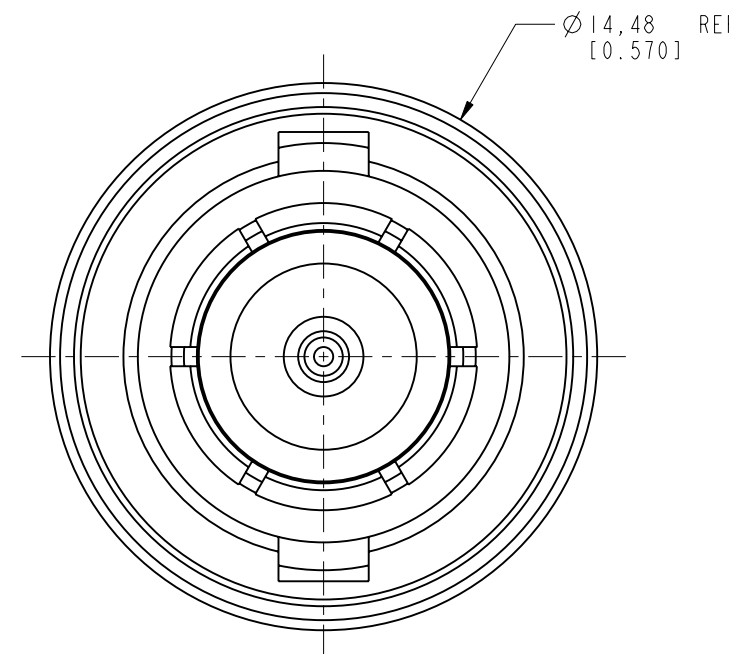
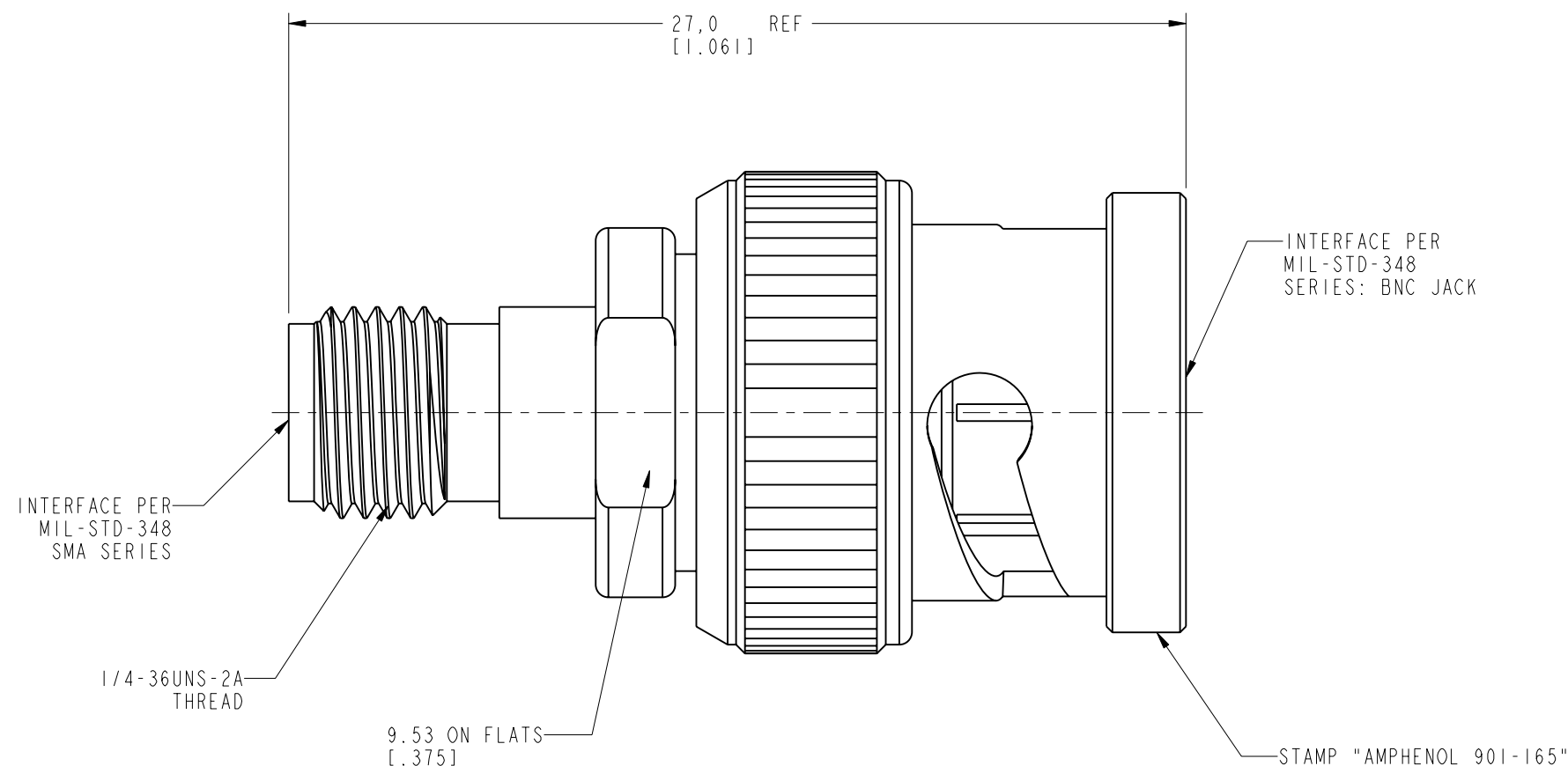
THIRD ANGLE PROJ.

REVISIONS

REV	DESCRIPTION	DATE	ECO	APPR
A	RELEASE TO MFG.	20-Sep-06	18325	BRUCE
K	NOTES WERE CHANGED: ADDED 'BNC BODY PLUG-BRASS'; 'SMA BODY JACK-BeCu, GOLD PLATING' WAS 'BODY-BERYLLIUM COPPER, NICKEL PLATING'; ADDED DIELECTRIC WITHSTANDING VOLTAGE; ADDED ENVIRONMENTAL VRD-DM110815011	23-Aug-11	48720	IVAN



SCALE 3.000



CUSTOMER OUTLINE DRAWING
 ALL OTHER SHEETS ARE FOR INTERNAL USE ONLY

UNLESS OTHERWISE SPECIFIED, DIMENSIONS ARE IN METRIC AND TOLERANCES ARE: <0.5mm ±0.05mm 0.5 - 6mm ±0.1mm 6 - 30mm ±0.2mm 30 - 120mm ±0.3mm ANGLES ±1° NOTICE - These drawings, specifications, or other data (1) are, and remain the property of Amphenol corp. (2) must be returned upon request; and (3) are confidential and not to be disclosed to any person other than those to whom they are given by Amphenol Corp. the finishing of these drawings, specifications, or other data by Amphenol Corp., or to any other person to anyone for any purpose is not to be regarded by implication or otherwise in any manner licensing, granting rights to permitting such holder or any other person to manufacture, use or sell any product, process or design, patented or otherwise, that may in any way be related to or disclosed by said drawings, specifications, or other data.	MATERIAL	DRAWN	DATE	TITLE	Amphenol RF Danbury CT USA, Tainan, Taiwan, Shenzhen, China www.amphenolrf.com
	SEE NOTES	I. XU	22-Aug-11		
	REFERENCE EAR # AND CONFIGURATION LEVEL: <input type="checkbox"/> <input type="checkbox"/> <input type="checkbox"/>	ENGINEER	DATE	SCALE: 5.0:1.0 SHEET 2 OF 2	
	FINISH	H. PARIKH	5/24/11	DWG SIZE B REV K	
	APPROVED	DATE		DRAWING NO. 901-165	
	S. HSIEH	22-Aug-11		ITEM NO. 901-165	
	CAD FILE			PART NO. 901-165	