

## DCH2 Series

2 Watts

### Data Sheet

**Total Power:** 2 Watts  
**Input Voltage:** 90 - 264 Vac  
**# of Outputs:** Single

### SPECIAL FEATURES

- Switching wallmount power supply
- Available in multiple AC plug configurations
- CE Mark EMC & LVD
- Universal AC input
- Overload and short circuit protection
- Constant voltage, constant current output
- Built in EMI filter (CISPR 22 Class B)
- No load power consumption < 300 mW

### SAFETY

- UL 60950/6500
- CSA 60950
- TUV 60950
- NEMKO 60950
- CB Certificate and report
- CE EMC & LVD



### Electrical Specifications

Input	
Input range	90 - 264 Vac (wide range)
Frequency	47 - 63 Hz
EMI/RFI	FCC Part 15, Subpart B Class B & EN55022 (CISPR 22) Class B & EMC89/336/EEC
Safety ground leakage current	10 $\mu$ A @ 50/60 Hz, 230 Vac input
Output	
Voltage (Vo)	6.5 V (6.5 - 10 V)
Maximum power (Po)	2 W
Hold-up time	12 ms typical at full load @ 115 Vac
Overvoltage protection	25% above nominal output maximum; Latching type
Overload protection	Output short circuit protection auto recover Overload protected > 2 A
Output cable/connector barrel polarity	DC cable with 2.8 mm x 5.5 mm barrel plug right angle DC plug center +V; DC plug outer -V

### Environmental Specifications

Operating temperature	0° to 45 °C ambient
Storage temperature	-30 °C to +85 °C
Electromagnetic susceptibility	Designed to meet EN55082-1
Humidity	Operating; non-condensing 20% to 90% RH
Vibration	Per IEC 60068-2-6

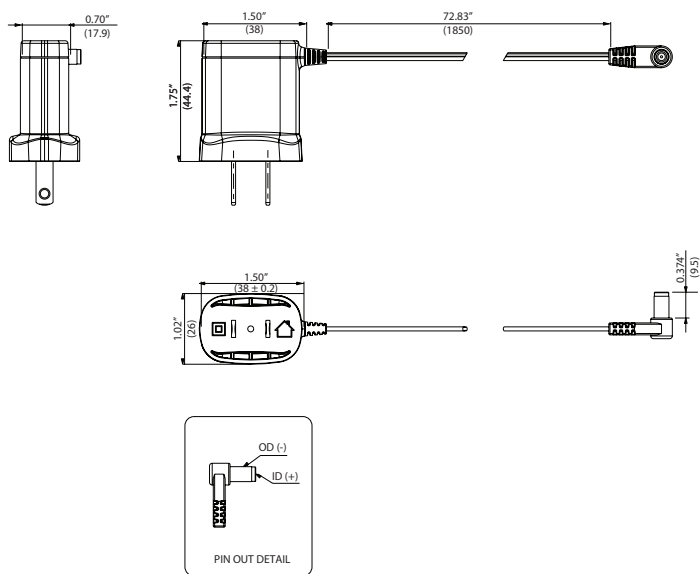
### Ordering Information

Model Number	Maximum Power	Output Voltage	Minimum Load	Maximum Load	Peak Load	Ripple P/P (PARD) <sup>1</sup>
DCH2-050US-0001	2 W	6.5 V	0	0.3 A	0.5 A	800 mV
DCH2-050EU-0001	2 W	6.5 V	0	0.3 A	0.5 A	800 mV
DCH2-050UK-0001	2 W	6.5 V	0	0.3 A	0.5 A	800 mV
DCH2-050AU-0001	2 W	6.5 V	0	0.3 A	0.5 A	800 mV

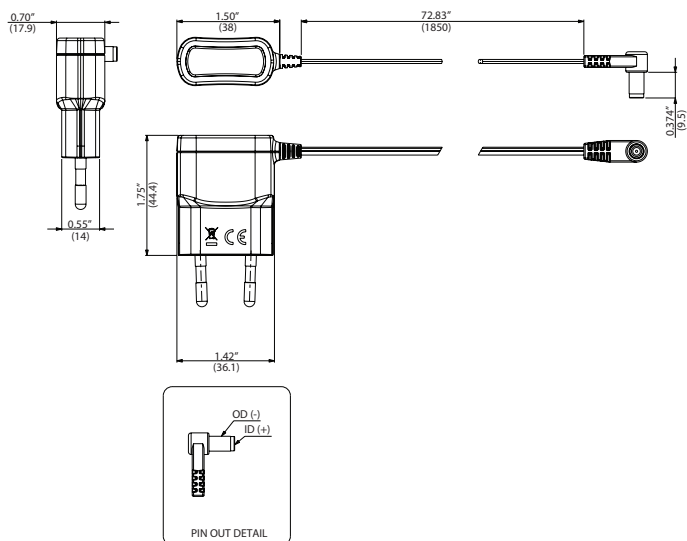
1. Peak-to-peak with 1MHz bandwidth and 10  $\mu$ F (tantalum capacitor) in parallel with a 0.1  $\mu$ F capacitor at rated line voltage and load ranges.
2. Output should not be grounded for EMI purpose.

### Mechanical Drawings

DCH2-050US



DCH2-050EU

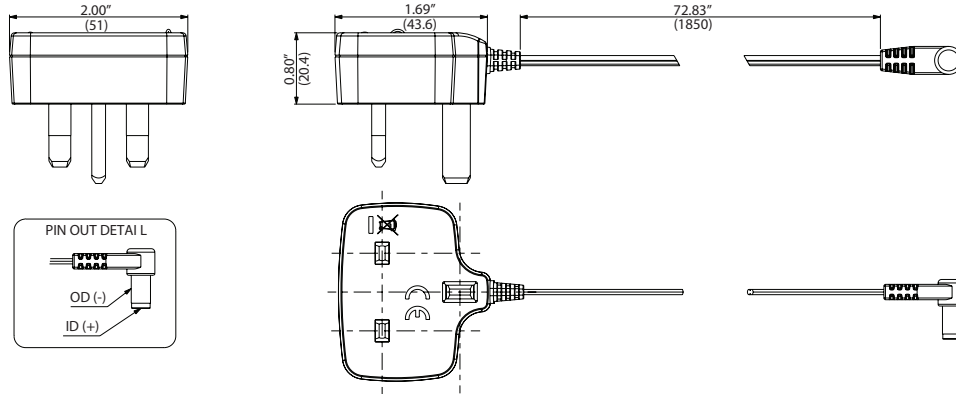


Notes:

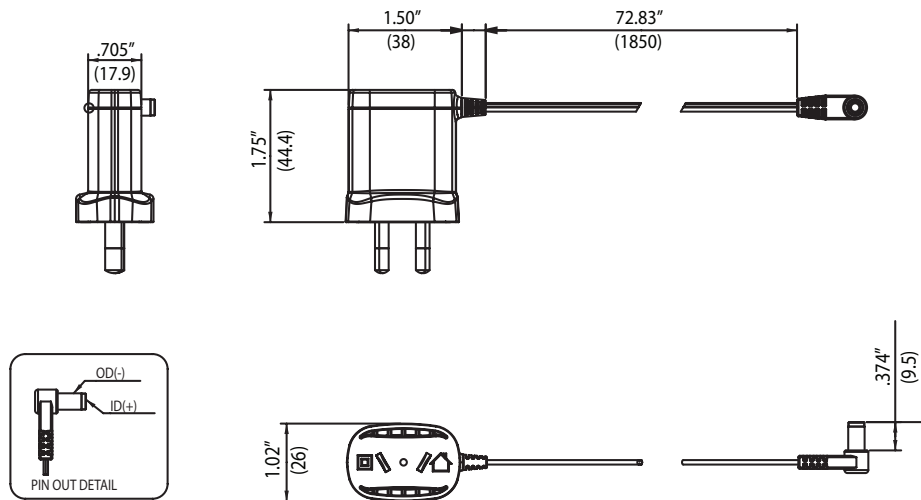
1. Specifications subject to change without notice.
2. All dimensions in inches (mm), tolerance is  $\pm .02$ ".
3. Warranty: 2 years
4. Weight: 0.181 lb./0.082kg.

Mechanical Drawings

DCH2-050UK



DCH2-050AU



WORLDWIDE OFFICES

Americas

2900 S.Diablo Way  
 Tempe, AZ 85282  
 USA  
 +1 888 412 7832

Europe (UK)

Waterfront Business Park  
 Merry Hill, Dudley  
 West Midlands, DY5 1LX  
 United Kingdom  
 +44 (0) 1384 842 211

Asia (HK)

14/F, Lu Plaza  
 2 Wing Yip Street  
 Kwun Tong, Kowloon  
 Hong Kong  
 +852 2176 3333



www.artesyn.com

While every precaution has been taken to ensure accuracy and completeness in this literature, Artesyn Embedded Technologies assumes no responsibility, and disclaims all liability for damages resulting from use of this information or for any errors or omissions. Artesyn Embedded Technologies, Artesyn and the Artesyn Embedded Technologies logo are trademarks and service marks of Artesyn Embedded Technologies, Inc. All other names and logos referred to are trade names, trademarks, or registered trademarks of their respective owners.  
 © 2015 Artesyn Embedded Technologies, Inc.

For more information: [www.artesyn.com/power](http://www.artesyn.com/power)  
 For support: [productsupport.ep@artesyn.com](mailto:productsupport.ep@artesyn.com)