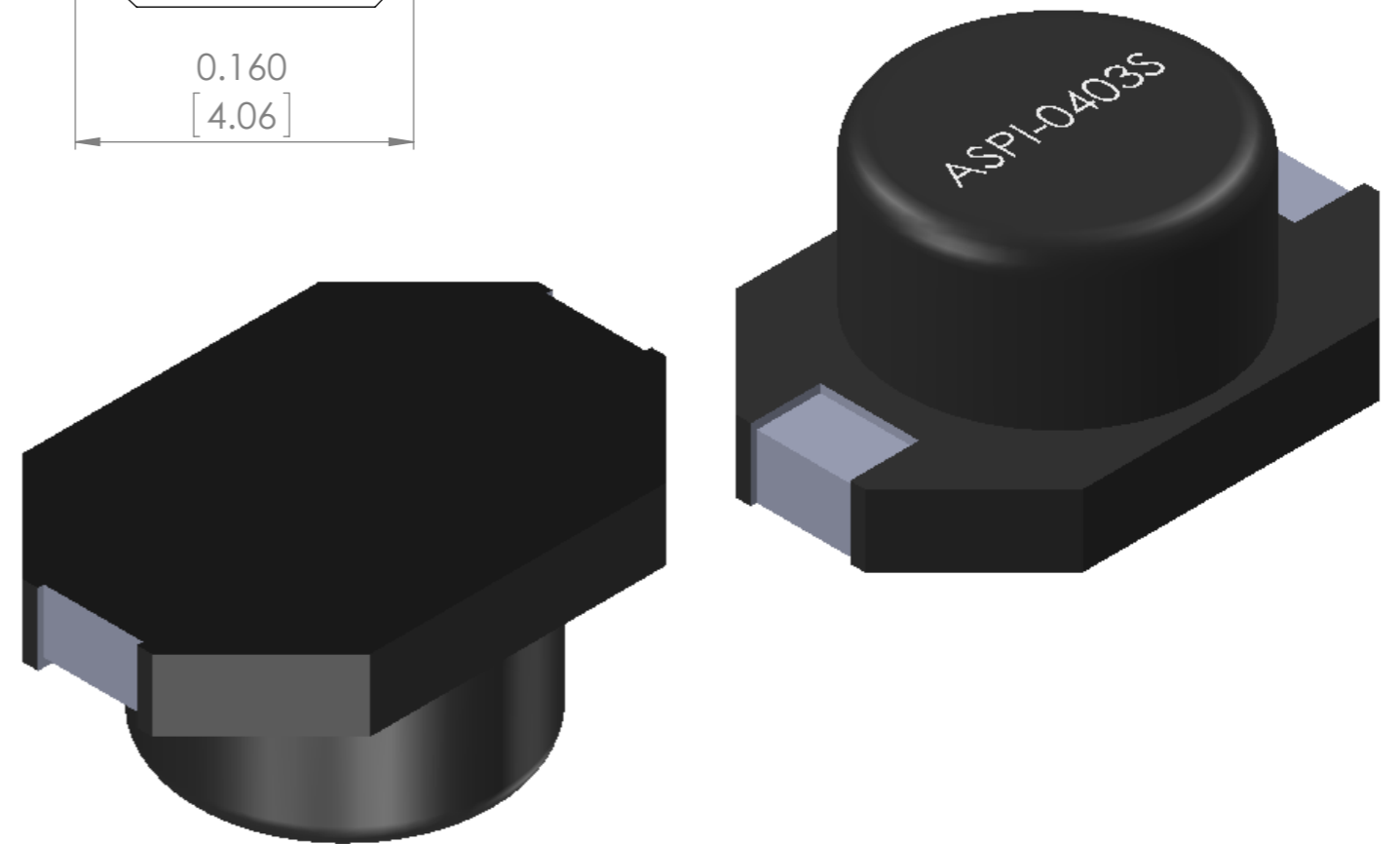
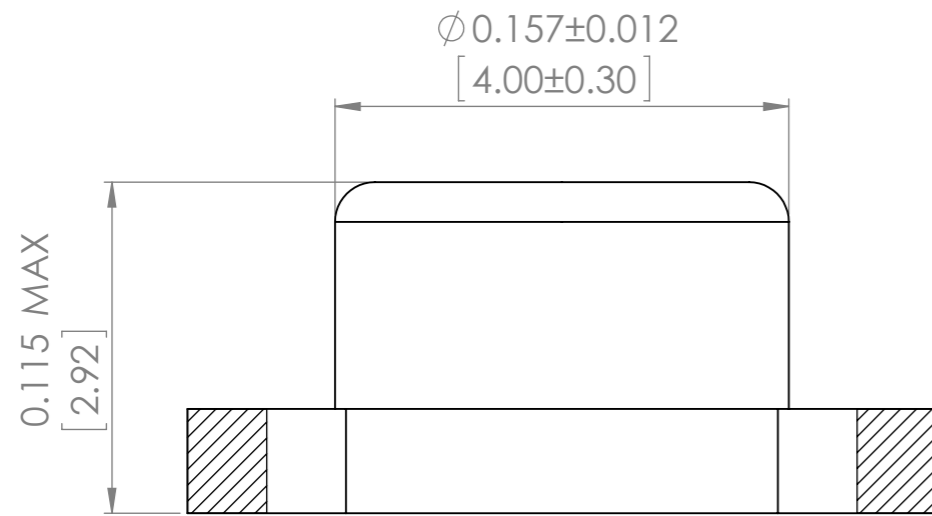
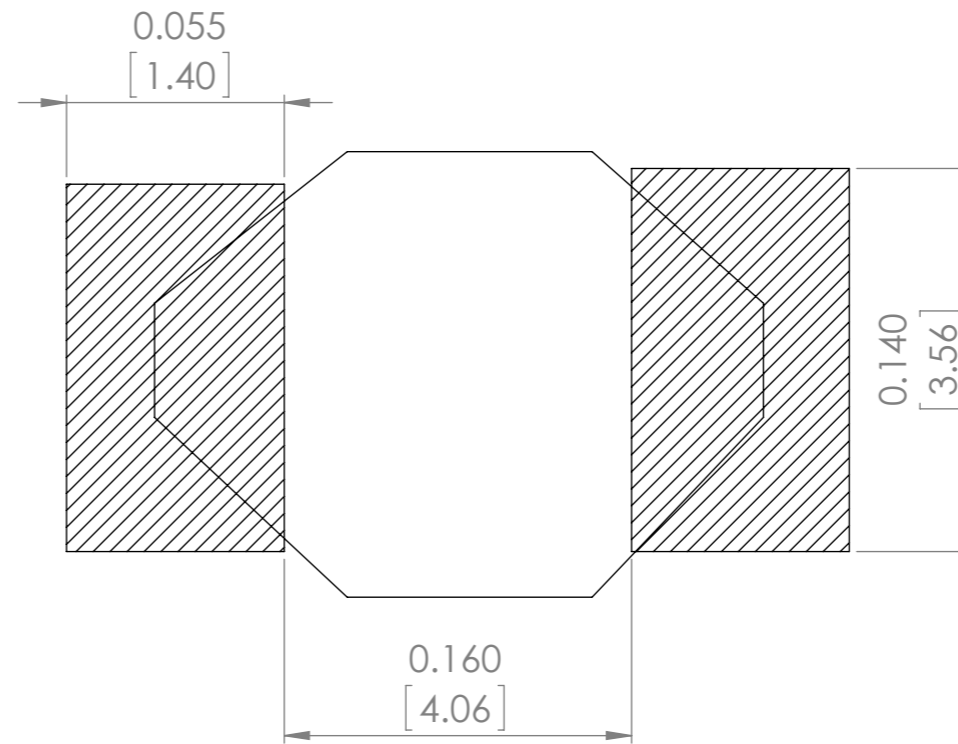



Recommended Landing Pattern



UNLESS OTHERWISE SPECIFIED: DIMENSIONS ARE IN INCH(MM) SURFACE FINISH: TOLERANCES: LINEAR: ANGULAR:				FINISH:		DEBUR AND BREAK SHARP EDGES		DO NOT SCALE DRAWING		REVISION -	
DRAWN SAAZVAT				SIGNATURE		DATE		 30332 Esperanza, Rancho Santa margarita, California 92688			
CHK'D XXXXXX								TITLE: Power Inductor			
APPV'D								DWG NO. ASPI-0403S			
MFG								SCALE: 15:1			
Q.A						MATERIAL:		SHEET 1 OF 1			
						WEIGHT:		A3			