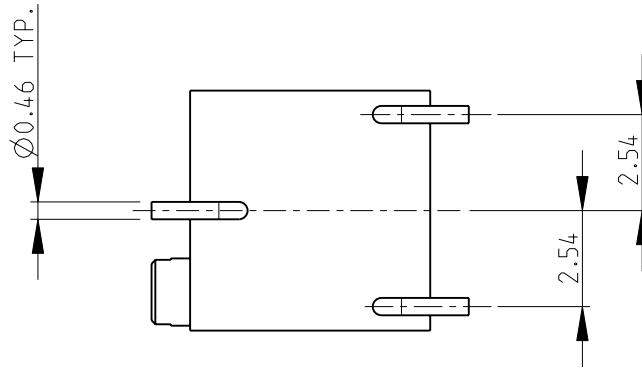
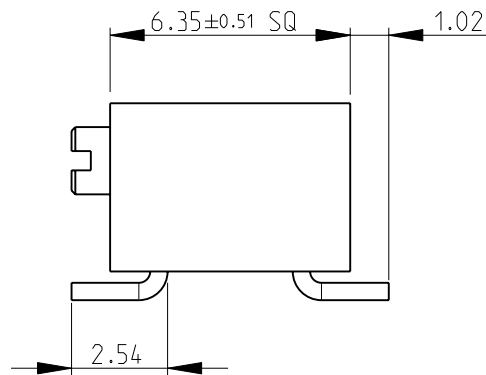
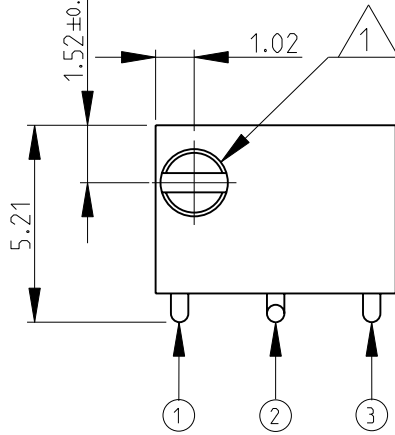
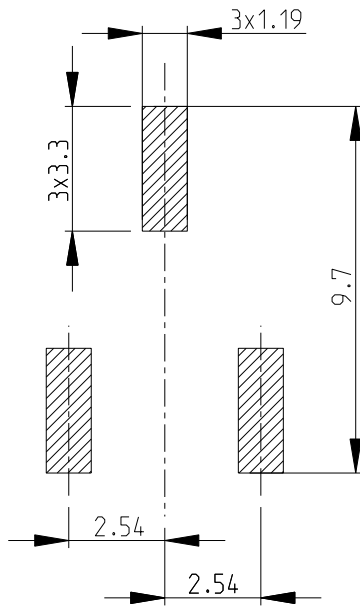


LOC	DIST	REVISIONS					
E	B	P	LTR	DESCRIPTION	DATE	DWN	APVD
		BA		NEW RELEASE	13-NOV-08	SM	St.P

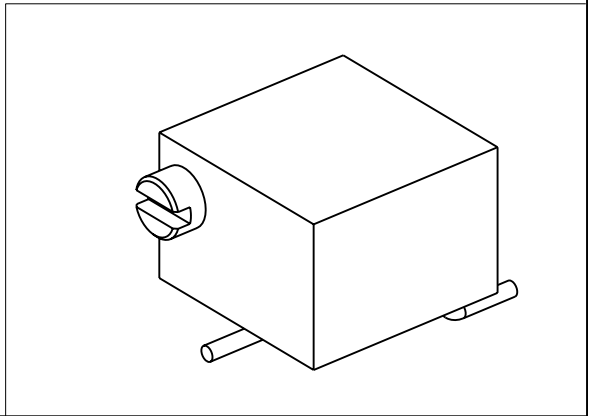


RECOMMENDED LAND PATTERN



- 1 ADJUSTMENT SLOT: Ø1.78mm, WIDTH- 0.51mm, DEPTH- 0.51mm
- 2 FOR FURTHER INFORMATION SEE DATA SHEET FOR 3270 SERIES-SMD PROFESSIONAL TRIMMERS

RoHS Compliant



2008

RELEASED FOR PUBLICATION

THIS DRAWING IS UNPUBLISHED.

BY TYCO ELECTRONICS CORPORATION. ALL RIGHTS RESERVED.  
© COPYRIGHT 2008

DIMENSIONS: mm	DWN	SUBHASH.M	13-NOV-08	MATERIAL	-	FINISH	-
	CHK	PRAKASH.S	13-NOV-08	Tyco Electronics Corporation Dorcan, Swindon, SN3 5HH			
TOLERANCES UNLESS OTHERWISE SPECIFIED:	APVD	STEPHEN.P	13-NOV-08				
	0 PLC	±0.2	PRODUCT SPEC	-	NAME	SMD PROFESSIONAL TRIMMERS SERIES 3270P	
1 PLC	±0.1	APPLICATION SPEC	-	SIZE	A 4	CAGE CODE	00779
2 PLC	±	WEIGHT	0.4g max.	DRAWING NO	C= 1623911		RESTRICTED TO
3 PLC	±-	CUSTOMER DRAWING	SCALE	5:1	SHEET	1 OF 1	REV
4 PLC	±-						
ANGLES	±5						