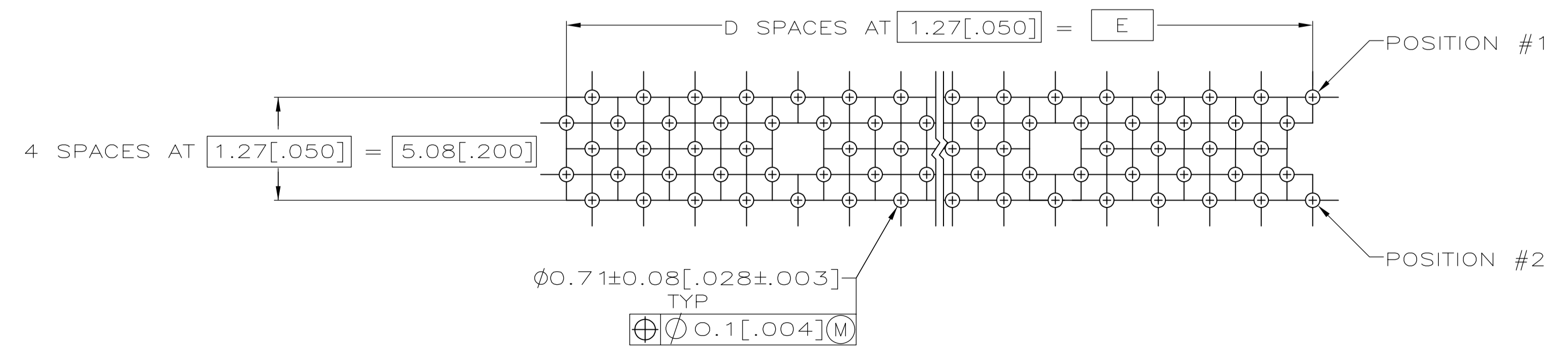
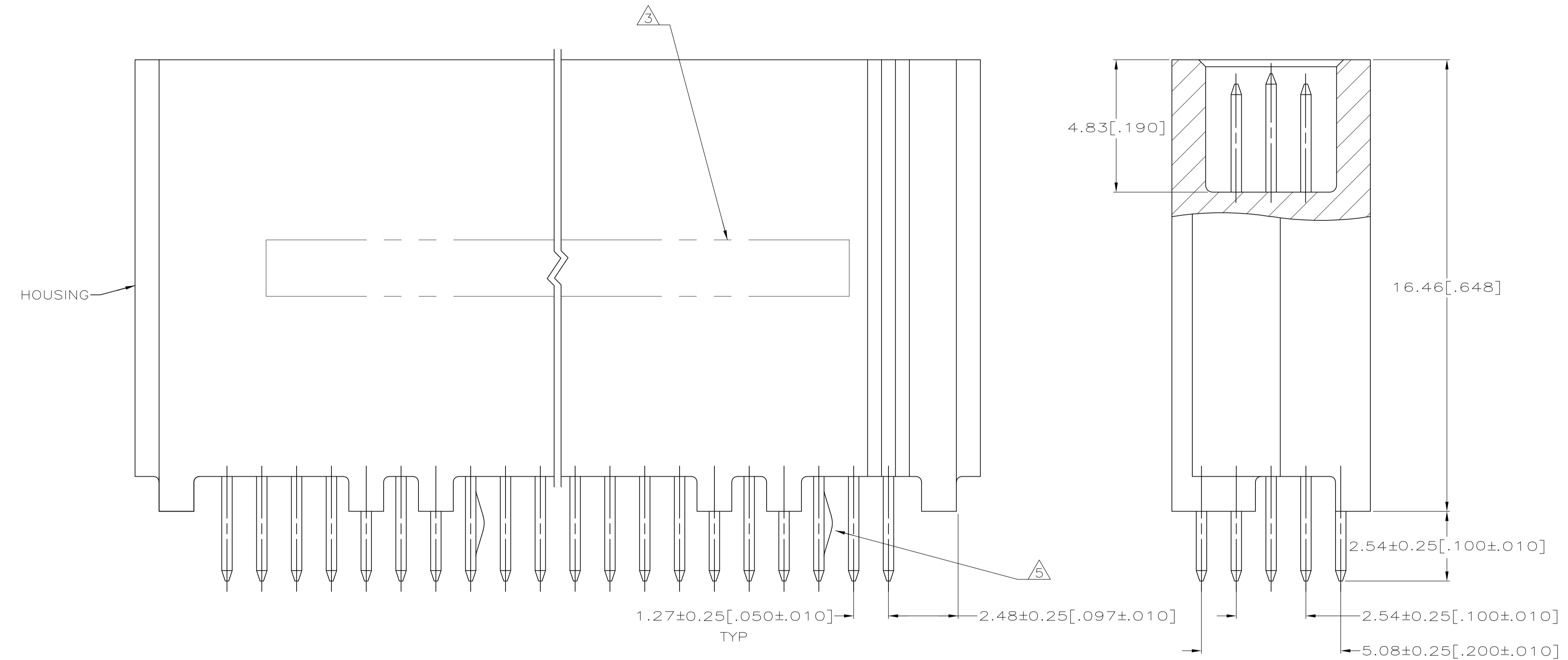


- ① HOUSING: HIGH TEMPERATURE THERMOPLASTIC, COLOR: NATURAL.
PIN CONTACTS: PHOSPHOR BRONZE.
GROUND BUSES: PHOSPHOR BRONZE.
- ② CONTACTS & GROUND BUSES: 0.00076(.000030) MIN. GOLD PER ASTM B 488 ON CONTACT AREA, 0.00254-0.00762(.000100-.000300) MATTE TIN PER ASTM B 545 ON SOLDER TAIL, ALL OVER 0.00127-0.00254(.000050-.000100) MATTE NICKEL PER SAE AMS-QQ-N-290 ON ENTIRE CONTACT.
- ③ AMP, AMP PART NUMBER AND DATE CODE MARKED IN AREA INDICATED, ON SAME SIDE AS POSITION NUMBER 2 INDICATOR.
- ④ ONE GROUND BUS WITH 4 TAILS PER EACH 20 PIN CONTACTS.
- ⑤ FIRST TAIL FROM RIGHT OF EACH GROUND BUS IS KINKED.



62.23 [2.450]	49	64.72 [2.548]	67.31 [2.650]	68.94 [2.714]	100	5149010-4
24.13 [.950]	19	26.62 [1.048]	29.21 [1.150]	30.84 [1.214]	40	5149010-1
E	D	C	B	A	NO OF POS	PART NUMBER

THIS DRAWING IS A CONTROLLED DOCUMENT.		DIN L VARELA 01-19-05	Tyco Electronics Corporation Harrisburg, PA 17105-3608
DIMENSIONS: mm [INCHES]		CHK D DIXON 01-19-05	
TOLERANCES UNLESS OTHERWISE SPECIFIED:		APP'D D DIXON 01-19-05	NAME
0 PLC ± -	1 PLC ± -	PRODUCT SPEC	PLUG ASSY WITH KINKED GROUND BUS
2 PLC ± -	3 PLC ± 0.13 [.005]	APPLICATION SPEC	TAILS, 18.75 [738] STACK, 2.54 [100]
4 PLC ± -	ANGLES ± -	114-11005	TAIL, BOARD TO BOARD, MICROSTRIP
MATERIAL	FINISH	SIZE	CAGE CODE DRAWING NO
①	②	A1	00779 5149010
CUSTOMER DRAWING		SCALE	RESTRICTED TO
		10:1	1 OF 1 REV 02