

THIS DRAWING IS UNPUBLISHED.

RELEASED FOR PUBLICATION

20

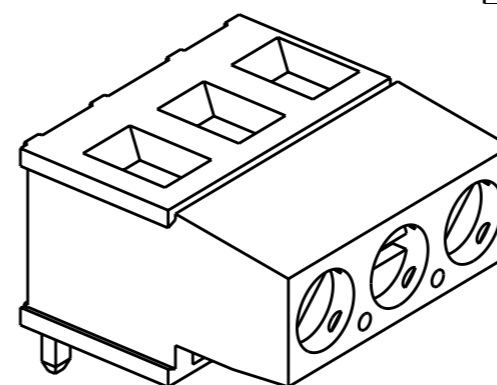
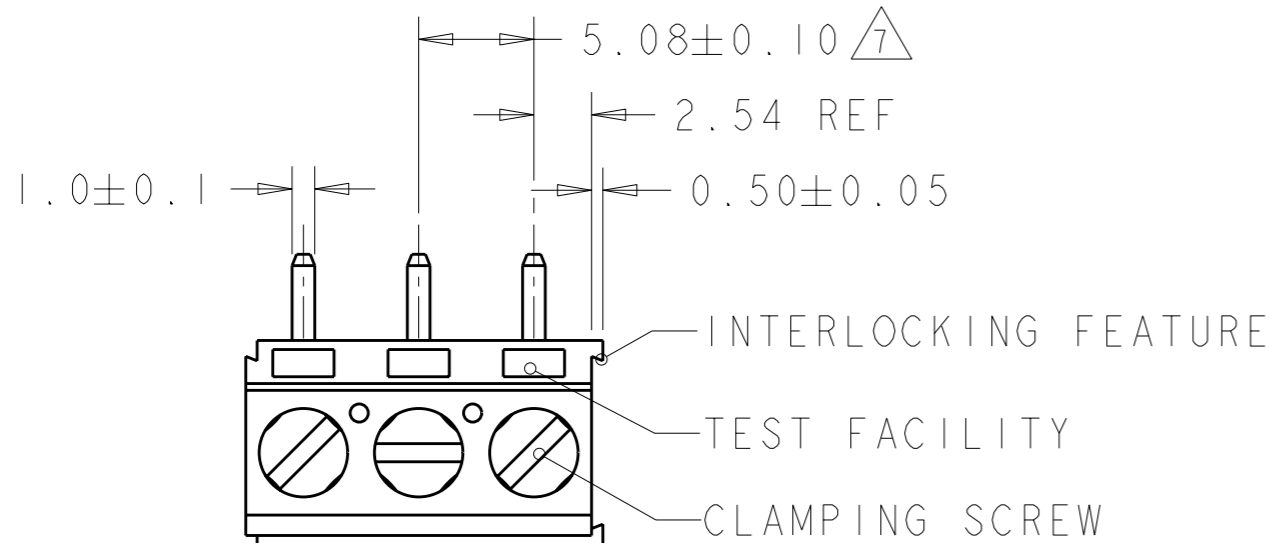
© COPYRIGHT 20

ALL RIGHTS RESERVED.

LOC	DIST
FT	0

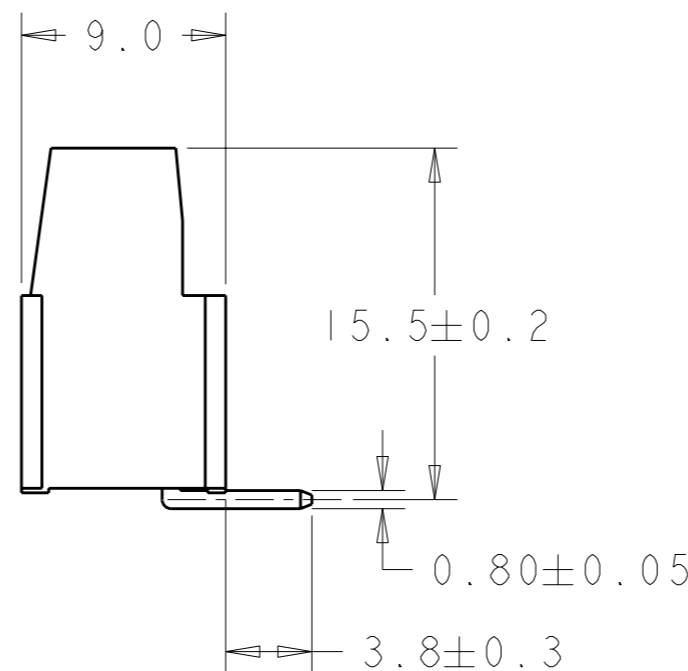
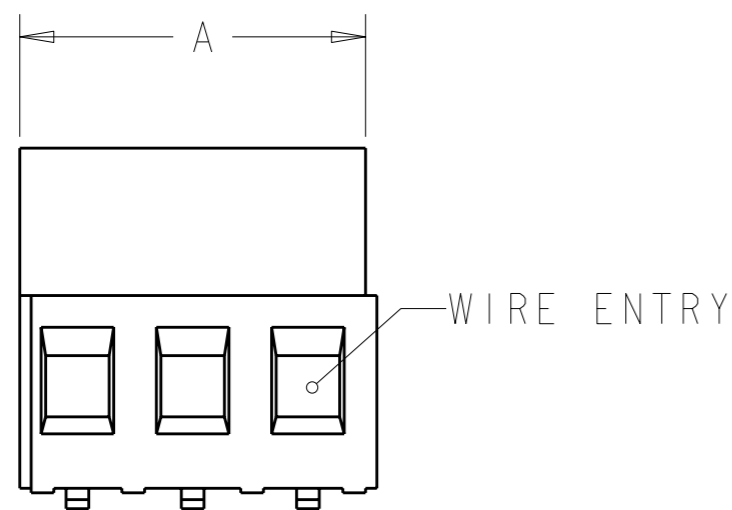
REVISIONS

P	LTR	DESCRIPTION	DATE	DWN	APVD
	CI	REVISED PER ECO-11-005294	06APR2011	RK	HMR

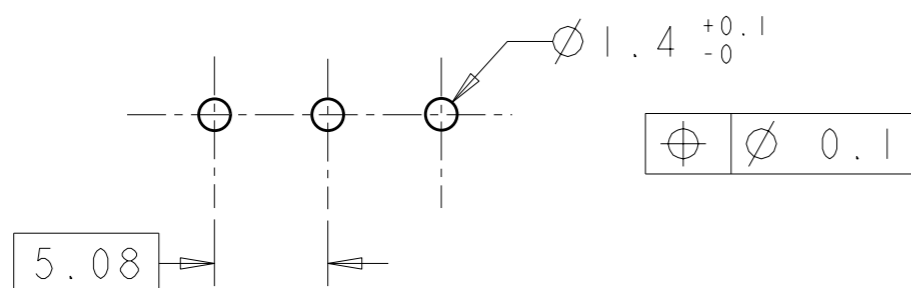


282851-3 AS SHOWN

DIM A	No OF POS	PART NUMBER
127.00	25	2-282851-5
121.92	24	2-282851-4
116.84	23	2-282851-3
111.76	22	2-282851-2
106.68	21	2-282851-1
101.60	20	2-282851-0
96.52	19	1-282851-9
91.44	18	1-282851-8
86.36	17	1-282851-7
81.28	16	1-282851-6
76.20	15	1-282851-5
71.12	14	1-282851-4
66.04	13	1-282851-3
60.96	12	1-282851-2
55.88	11	1-282851-1
50.80	10	1-282851-0
45.72	9	282851-9
40.64	8	282851-8
35.56	7	282851-7
30.48	6	282851-6
25.40	5	282851-5
20.32	4	282851-4
15.24	3	282851-3
10.16	2	282851-2



RECOMMENDED PCB LAYOUT



THIS DRAWING IS A CONTROLLED DOCUMENT.

DIMENSIONS: mm

TOLERANCES UNLESS OTHERWISE SPECIFIED:

- 0 PLC ±-
- 1 PLC ±.3
- 2 PLC ±.25
- 3 PLC ±-
- 4 PLC ±-
- ANGLES ±2

MATERIAL

FINISH

DWN 20AUG2001

E. ZANOLINI

CHK 20AUG2001

D. BIEVENOUR

APVD 20AUG2001

D. BIEVENOUR

PRODUCT SPEC

108-20166

APPLICATION SPEC

114-20079

WEIGHT -

CUSTOMER DRAWING



TE Connectivity

NAME
**TERMINAL BLOCK PCB MOUNT
TOP ENTRY WIRE, STACKING
W/INTERLOCK, 5.08mm PITCH**

SIZE	CAGE CODE	DRAWING NO	RESTRICTED TO
------	-----------	------------	---------------

A3	00779	C-282851	-
----	-------	----------	---

SCALE	SHEET	OF	REV
3:1	1	2	CI

THIS DRAWING IS UNPUBLISHED.

RELEASED FOR PUBLICATION

20

© COPYRIGHT 20

ALL RIGHTS RESERVED.

LOC FT DIST 0

REVISIONS

P	LTR	DESCRIPTION	DATE	DWN	APVD
-		SEE SHEET 1	-	-	-



MATERIALS AND FINISH

HOUSING: PA 6-6, UL 94-V0, COLOR GREEN.

CLAMP: BRASS, NICKEL PLATED.

TERMINAL: BRASS, TIN PLATED.

CLAMPING SCREW: M3, BRASS, NICKEL PLATED.

2 SUITABLE FOR 1,6-2,4mm PC BOARD THICKNESS.

3 END-TO-END STACKABLE W/INTERLOCK WITHOUT LOSS OF CENTERLINE SPACING.

4 WIRE SIZE RANGE
SOLID WIRE: 0,03-2,5mm² (13AWG).
STRANDED WIRE: 0,03-1,5mm² (15AWG).

5 RECOGNIZED UNDER THE COMPONENT PROGRAM OF UNDERWRITERS LABORATORIES INC. FILE N° E60677.

6 IMQ CERTIFICATE WITH SURVEILLANCE IN CONFORMITY WITH IEC 998-1/998-2-1.



NOT CUMULATIVE TOLERANCE.

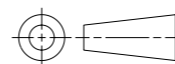
THIS DRAWING IS A CONTROLLED DOCUMENT.

DWN 20AUG2001
E. ZANOLINI
CHK 20AUG2001
D. BIEVENOUR
APVD 20AUG2001
D. BIEVENOUR



DIMENSIONS:

mm



TOLERANCES UNLESS OTHERWISE SPECIFIED:

0 PLC ±-
1 PLC ±-
2 PLC ±-
3 PLC ±-
4 PLC ±-
ANGLES ±-

MATERIAL -

FINISH -

PRODUCT SPEC -

APPLICATION SPEC -

WEIGHT -

NAME
TERMINAL BLOCK PCB MOUNT
TOP ENTRY WIRE, STACKING
W/INTERLOCK, 5.08mm PITCH

SIZE CAGE CODE DRAWING NO RESTRICTED TO

A3 00779 C-282851

CUSTOMER DRAWING

SCALE 3:1 SHEET 2 OF 2 REV C1