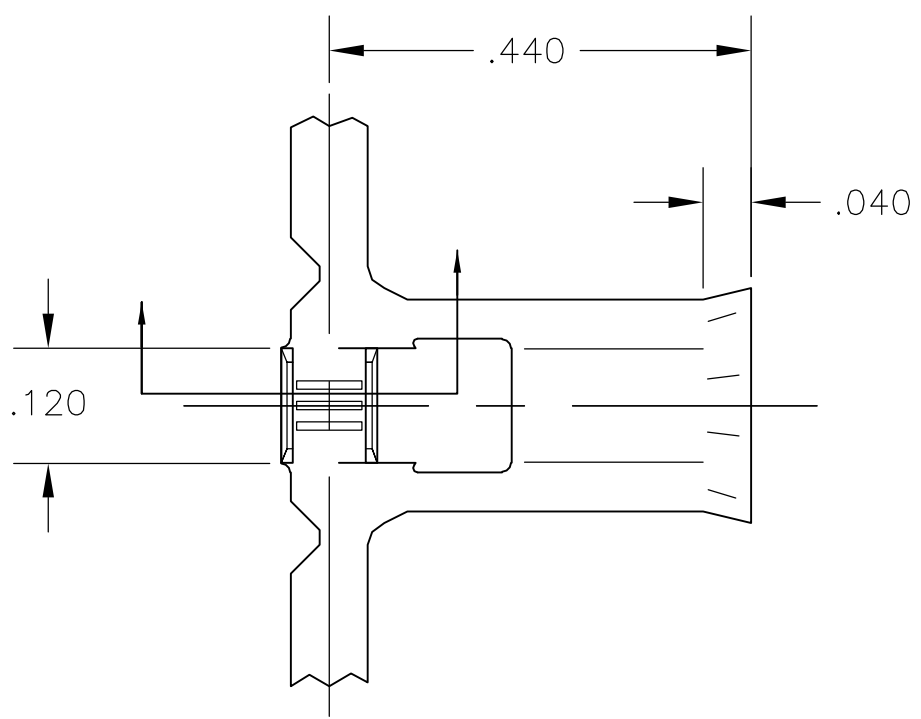


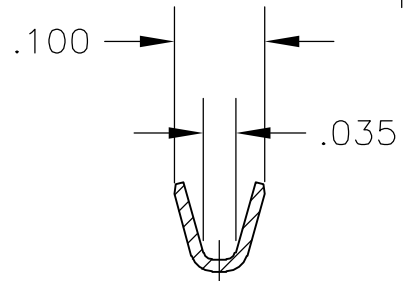
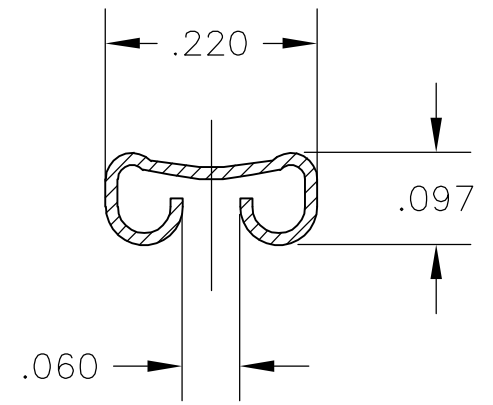
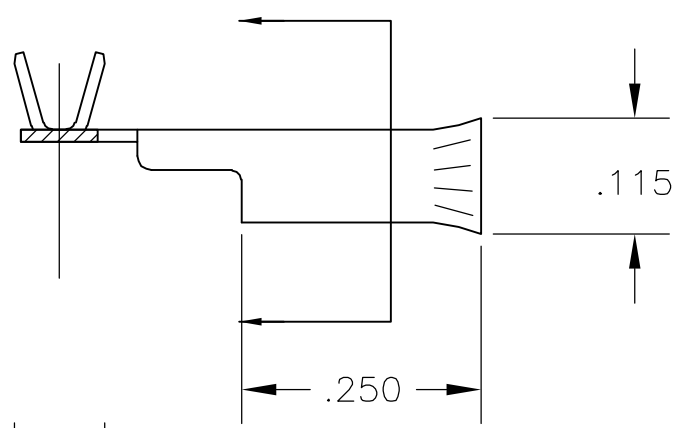
THIS DRAWING IS UNPUBLISHED. RELEASED FOR PUBLICATION
 © COPYRIGHT BY TYCO ELECTRONICS CORPORATION. ALL RIGHTS RESERVED.

LOC	DIST	REVISIONS					
AF	50	P	LTR	DESCRIPTION	DATE	DWN	APVD
			E2	REACTIVATE PER ECR 05-016922	01/DEC/05	JR	PD



- CONTINUOUS STRIP ON REELS
- WIRE SIZE IS #22-#18 AWG
- MATING TAB THK IS .025±.001
- GAGE 679717-44

INSERTION / EXTRACTION REQUIREMENTS	1ST ON LBS MAX	1ST OFF LBS MIN	6TH OFF LBS MIN
	7	2	2



63188-1
PART NO

THIS DRAWING IS A CONTROLLED DOCUMENT.		DWN jr ruth 1/DEC/05	Tyco Electronics Corporation Harrisburg, PA 17105-3608	
DIMENSIONS: INCHES		CHK P DESANTIS 01/DEC/05		
TOLERANCES UNLESS OTHERWISE SPECIFIED:		APVD P DESANTIS 01/DEC/05	NAME FASTON, FLAG, .187 SERIES	
0 PLC ± - 1 PLC ± - 2 PLC ± - 3 PLC ± .010 4 PLC ± - ANGLES ± 5°		PRODUCT SPEC -	RESTRICTED TO -	
MATERIAL BRASS		FINISH PRE-TIN	APPLICATION SPEC -	SCALE 5:1
		WEIGHT -	SIZE A3	SHEET 1 OF 1
		CUSTOMER DRAWING	CAGE CODE 00779	REV E2
			DRAWING NO G-63188	