

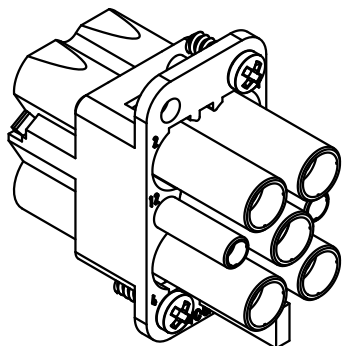
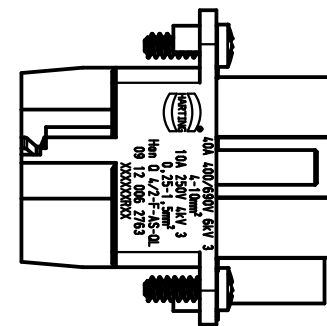
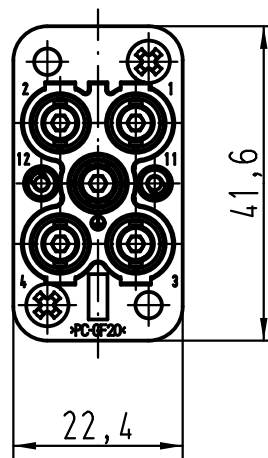
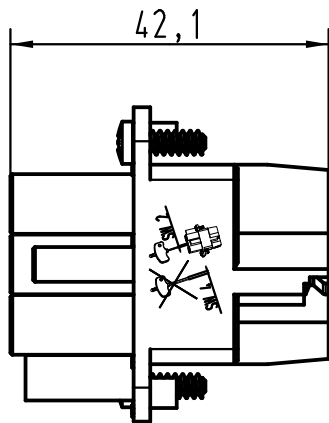
1 2 3 4 5 6

A

B

C

D



|   |          |                   |                                |               |   |                   |
|---|----------|-------------------|--------------------------------|---------------|---|-------------------|
| All Dimensions in mm<br>Original Size DIN A 4 |          | Techn. Character. |                                |               | Nicht tolerierte Maß/Free size tolerances |                   |
|   |          |                   | Dat.                           | Name          | Maßstab/Scale<br><br>1:1                  | Han Q4/2-F-AS-QL  |
|   |          |                   | Detail.                        | 17.06.09 Rull |   |                   |
|   |          |                   | Insp.                          | Grie          |   |                   |
|   |          |                   | Stand.                         |               |   |                   |
| B   | 20.07.11 | Spr               | HARTING Electric GmbH & Co. KG |               |   | TB 09 12 006 2763 |
| A   |          |                   | D-32339 Espelkamp              |               |   |                   |
| Mod.  | Dat.     | Name              |                                |               |   | Blatt/ page       |
|   |          |                   | Sub.                           |               |   |                   |