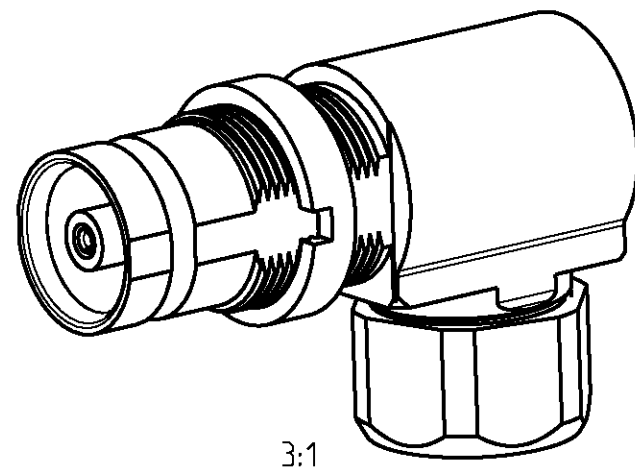
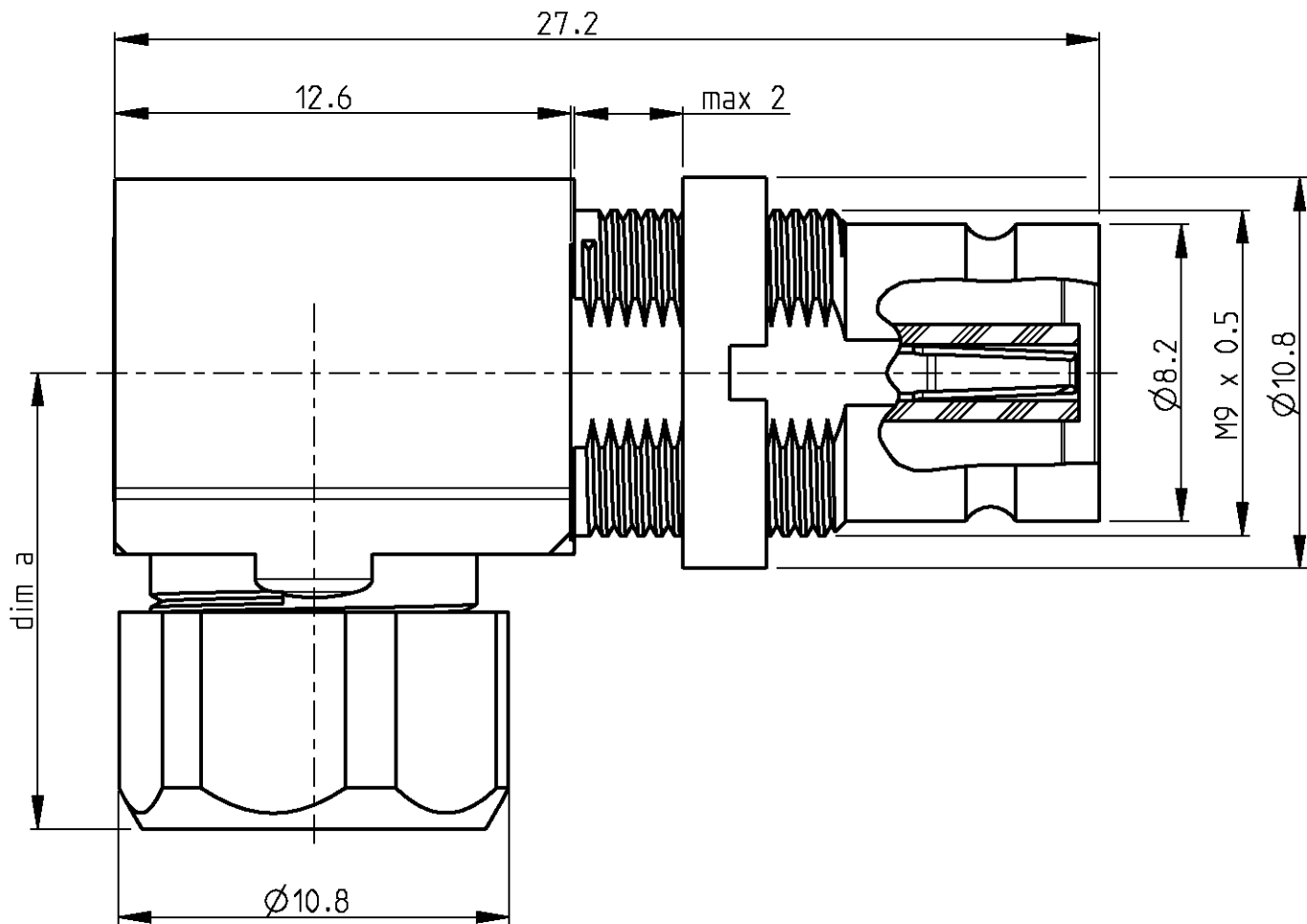
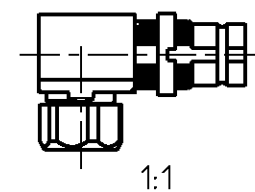


THIS DRAWING IS UNPUBLISHED. RELEASED FOR PUBLICATION 2000  
 © COPYRIGHT 2000 BY TYCO ELECTRONICS CORPORATION. ALL RIGHTS RESERVED.

| LOC | DIST | REVISIONS |     |                           |           |     |      |
|-----|------|-----------|-----|---------------------------|-----------|-----|------|
|     |      | P         | LTR | DESCRIPTION               | DATE      | DWN | APVD |
| IS  | -    |           | A   | -                         | 05APR2001 | BL  | KM   |
|     |      |           | B   | ECR-08-004805             | 21FEB08   | AN  | DB   |
|     |      |           | B1  | REVISED PER ECO-09-027197 | 13JAN10   | KK  | AEG  |



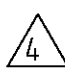



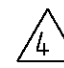
- 5 OBSOLETE PARTS: OBSOLETE CIS STREAMLINING PER D.RENAUD/D.SINISI
- 4 Packed in tray
- 3. Mating face according to DIN 47295/CECC 22240.
- 2. All parts supplied as loose part.
- 1. All dimensions are maximum unless otherwise specified.


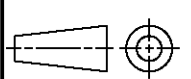


|   |  |   |  |   |                 |
|---|--|---|--|---|-----------------|
| <small>THIS DRAWING IS A CONTROLLED DOCUMENT FOR TYCO ELECTRONICS CORPORATION<br/>         IT IS SUBJECT TO CHANGE AND THE CONTROLLING ENGINEERING ORGANIZATION<br/>         SHOULD BE CONTACTED FOR THE LATEST REVISION.</small> |  | DWN 26MAR2001<br>B. Ienvain   |  | Tyco Electronics<br>CH - Switzerland - Lugano |                 |
| DIMENSIONS:<br>mm   |  | TOLERANCES UNLESS OTHERWISE SPECIFIED:<br>0 PLC ±<br>1 PLC ±<br>2 PLC ±<br>3 PLC ±<br>4 PLC ±<br>ANGLES ± |  | NAME<br>Bulkhead jack<br>1.6/5.6              |                 |
| MATERIAL -  |  | FINISH -  |  | PRODUCT SPEC -<br>APPLICATION SPEC See table  |                 |
|   |  | WEIGHT -  |  | SIZE A3                                       | CAGE CODE 00779 |
|   |  | CUSTOMER DRAWING  |  | DRAWING NO C-4-1393682-6                      | RESTRICTED TO - |
|   |  | SCALE 5:1   |  | SHEET 1 OF 1                                  | REV B1          |

THIS DRAWING IS UNPUBLISHED. RELEASED FOR PUBLICATION 2000  
 © COPYRIGHT 2000 BY TYCO ELECTRONICS CORPORATION. ALL RIGHTS RESERVED.

| LOC | DIST | REVISIONS |     |             |      |     |      |
|-----|------|-----------|-----|-------------|------|-----|------|
|     |      | P         | LTR | DESCRIPTION | DATE | DWN | APVD |
| IS  | -    |           |     | SEE SHEET 1 | -    | -   | -    |
|     |      |           |     |             |      |     |      |
|     |      |           |     |             |      |     |      |

| Old part number   | TE P/N  | Description      | Material    | Plating  | dim a | Appl spec | Cable type   |
|---|---|------------------|-------------|--|-------|-----------|--|
| V23612-A803-G76A<br>   | <del>5-1393682-0</del><br>  | Outer conductor  | Brass       | 1µm Au min in contact area/min 0.1µm Au over min 2µm NiP | 13    | 114-71022 | 02Y(ST)CY 0.45/2.0   |
|   |   | Center conductor | CuBe/Bronze | min 0.1µm Au over min 2µm NiP                            |       |           |  |
|   |   | Dielectric       | PEEK/PC     | -  |       |           |  |
| V23612-A803-G76   | 4-1393682-9   | Outer conductor  | Brass       | 1µm Au min in contact area/min 0.1µm Au over min 2µm NiP | 13    | 114-71022 | 02Y(ST)CY 0.45/2.0   |
|   |   | Center conductor | CuBe/Bronze | min 0.1µm Au over min 2µm NiP                            |       |           |  |
|   |   | Dielectric       | PEEK/PC     | -  |       |           |  |
| V23612-A803-G66   | 4-1393682-8   | Outer conductor  | Brass       | 1µm Au min in contact area/min 0.1µm Au over min 2µm NiP | 15.8  | 114-71023 | 2YCY 0.7/4.4<br>2YC (mS) CY 0.5/3.0<br>ST 120<br>RG 59 B/U |
|   |   | Center conductor | CuBe/Bronze | min 0.1µm Au over min 2µm NiP                            |       |           |  |
|   |   | Dielectric       | PEEK/PC     | -  |       |           |  |
| V23612-A803-G45A<br> | 4-1393682-7<br>  | Outer conductor  | Brass       | 1µm Au min in contact area/min 0.1µm Au over min 2µm NiP | 13    | 114-71022 | 2 YCCY 0.4/2.5<br>2YC (MS) CY<br>0.4/2.5                   |
|   |   | Center conductor | CuBe/Bronze | min 0.1µm Au over min 2µm NiP                            |       |           |  |
|   |   | Dielectric       | PEEK/PC     | -  |       |           |  |
| V23612-A803-G45   | 4-1393682-6   | Outer conductor  | Brass       | 1µm Au min in contact area/min 0.1µm Au over min 2µm NiP | 13    | 114-71022 | 2 YCCY 0.4/2.5<br>2YC (mS) CY 0.4/2.5                      |
|   |   | Center conductor | CuBe/Bronze | min 0.1µm Au over min 2µm NiP                            |       |           |  |
|   |   | Dielectric       | PEEK/PC     | -  |       |           |  |

|   |  |   |  |   |                        |
|---|--|---|--|---|------------------------|
| <small>THIS DRAWING IS A CONTROLLED DOCUMENT FOR TYCO ELECTRONICS CORPORATION<br/>         IT IS SUBJECT TO CHANGE AND THE CONTROLLING ENGINEERING ORGANIZATION<br/>         SHOULD BE CONTACTED FOR THE LATEST REVISION.</small> |  | DWN <b>B. Ienvain</b> 26MAR2001<br>CHK <b>K. Mattheeuws</b> 05APR2001<br>APVD <b>R. Leeman</b> 05APR2001  |  |  Tyco Electronics<br>CH - Switzerland - Lugano |                        |
| DIMENSIONS:<br>mm<br>  |  | TOLERANCES UNLESS OTHERWISE SPECIFIED:<br>0 PLC ±<br>1 PLC ±<br>2 PLC ±<br>3 PLC ±<br>4 PLC ±<br>ANGLES ± |  | NAME<br><b>Bulkhead jack</b><br><b>1.6/5.6</b><br>-   |                        |
| MATERIAL -  |  | FINISH -  |  | PRODUCT SPEC -<br>APPLICATION SPEC See table<br>WEIGHT -  |                        |
| CUSTOMER DRAWING  |  |   |  | SIZE <b>A3</b>  | CAGE CODE <b>00779</b> |
| DRAWING NO <b>4-1393682-6</b>   |  |   |  | RESTRICTED TO -   | SCALE <b>5:1</b>       |
| SHEET <b>2</b> OF <b>1</b>  |  |   |  | REV <b>B1</b>   |                        |