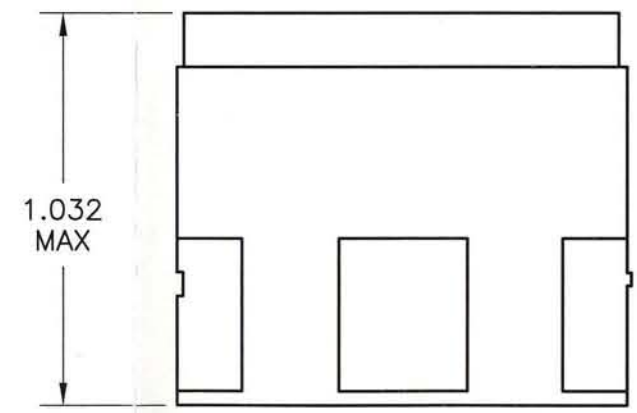
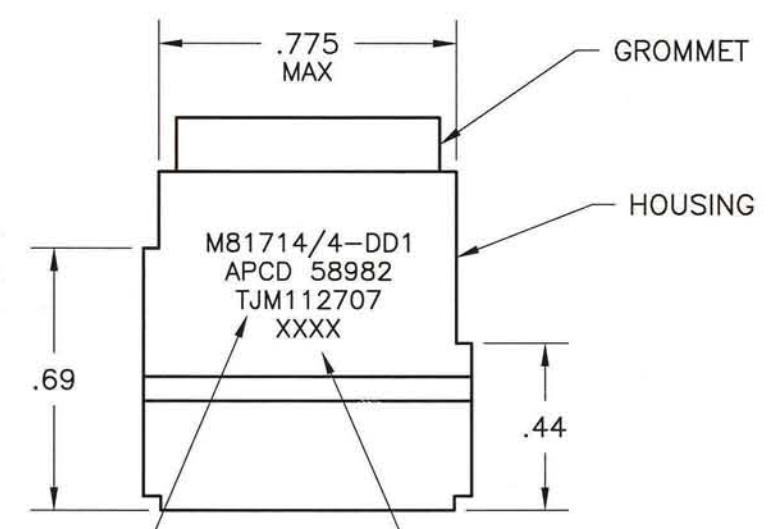
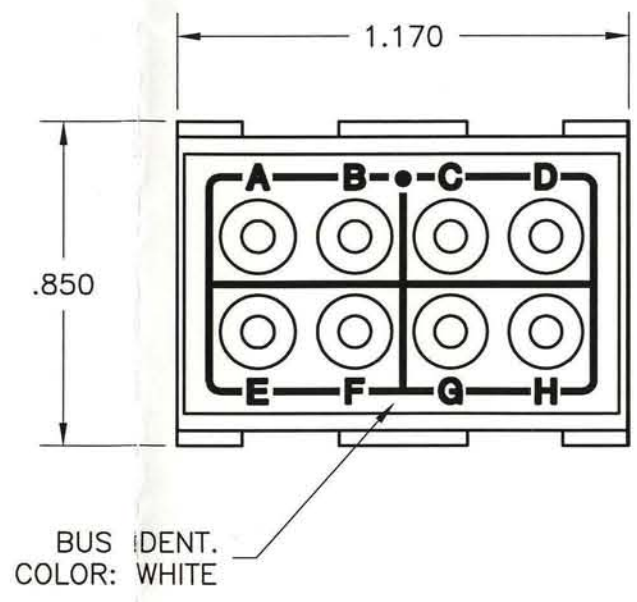


| REV | ECN  | APP'D            |
|-----|------|------------------|
| T   | 3232 | JR 3/16/98       |
| U   | 3305 | JR 4/17/98       |
| X   | 3309 | JR 4/29/98       |
| Y   | -    |                  |
| Z   | 5493 | JT 8/2/04        |
| AA  | 5510 | <i>JR 4/2/99</i> |

- NOTES:
- REQUIREMENTS:
    - MEETS PERFORMANCE AND ENVIRONMENTAL REQUIREMENTS OF MIL-T-81714/4 REV. F.
    - MODULES ARE TO BE MOUNTED INTO RACK ASSEMBLY M81714/5 OR /16 OR COMMERCIAL EQUIVALENT.
    - DIELECTRIC WITHSTANDING VOLTAGE: 1500VRMS, 2mA LEAKAGE, 25° C AT SEA LEVEL, CONTACT TO MOUNTING RACK.
    - OPERATING TEMPERATURE: -65 C TO 200° C.
  - MATERIALS:
    - HOUSING - POLYETHERIMIDE, COLOR: BLACK.
    - GROMMET - SILICONE ELASTOMER, COLOR: BLUE.
    - INTERNAL CONTACTS - COPPER ALLOY, GOLD PLATED
    - CONTACT RETAINERS - BERYLLIUM COPPER.
  - PIN CONTACT CRIMP AND INSTALLATION TOOLS ARE NOT INCLUDED. REQUIREMENTS BELOW ARE FOR REFERENCE ONLY.
    - PIN CONTACTS - SEE TABLE
    - CONTACT TOOLS -  
 CRIMP TOOL: M22520/1-01  
 POSITIONER: M22520/1-02, YELLOW  
 INSERTION/REMOVAL: M81969/14-04.
  - INSPECT PARTS PER APPLICABLE INSPECTION PLAN, TJM1126XX OR TJM1127XX.



WHITE MARKING  
.062 HIGH  
(MARKING TYP BOTH P/N)

DATE CODE

| PCD P/N   | SUPPLIED                    |                            |
|-----------|-----------------------------|----------------------------|
|           | PIN CONTACT<br>M39029/1-103 | SEALING PLUG<br>MS27488-12 |
| TJM112607 | NONE                        | NONE                       |
| TJM112707 | NINE (9)                    | TWO (2)                    |

|   |   |                |  |             |  |                             |                  |
|---|---|----------------|--|-------------|--|-----------------------------|------------------|
| DIMENSIONS<br>ANSI Y14.5M<br>UNITS: INCHES<br>ACAD FILE | TOLERANCES<br>.XX ± .01<br>.XXX ± .005<br>ANGLES ± 2°   | PROJECTION<br> | <b>Amphenol Pcd</b><br>SPECIFICATION DRAWING |             | TITLE<br>TERMINAL JUNCTION<br>MODULE<br>SZ-12 FEEDBACK, D1 BUS |                             |                  |
|   |   |                | ENGR<br>A. PATRIE 8/8/95                     | SIZE<br>B   |  | DWG NO.<br><b>TJM112607</b> | REV<br><b>AA</b> |
| ORIGINAL<br>  | THIS DOCUMENT CONTAINS<br>PROPRIETARY INFORMATION WHICH<br>IS THE CONFIDENTIAL PROPERTY<br>OF AMPHENOL PCD INC. PEABODY, MA |                | APPD<br>J. RUTKOWSKI 8/15/95                 | CODE: 58982 | SCALE: 2X  | SHEET 1 OF 1                |                  |

TJM112607

TJM112607