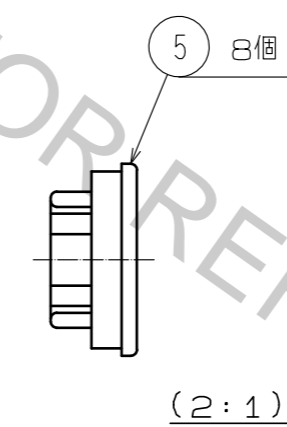
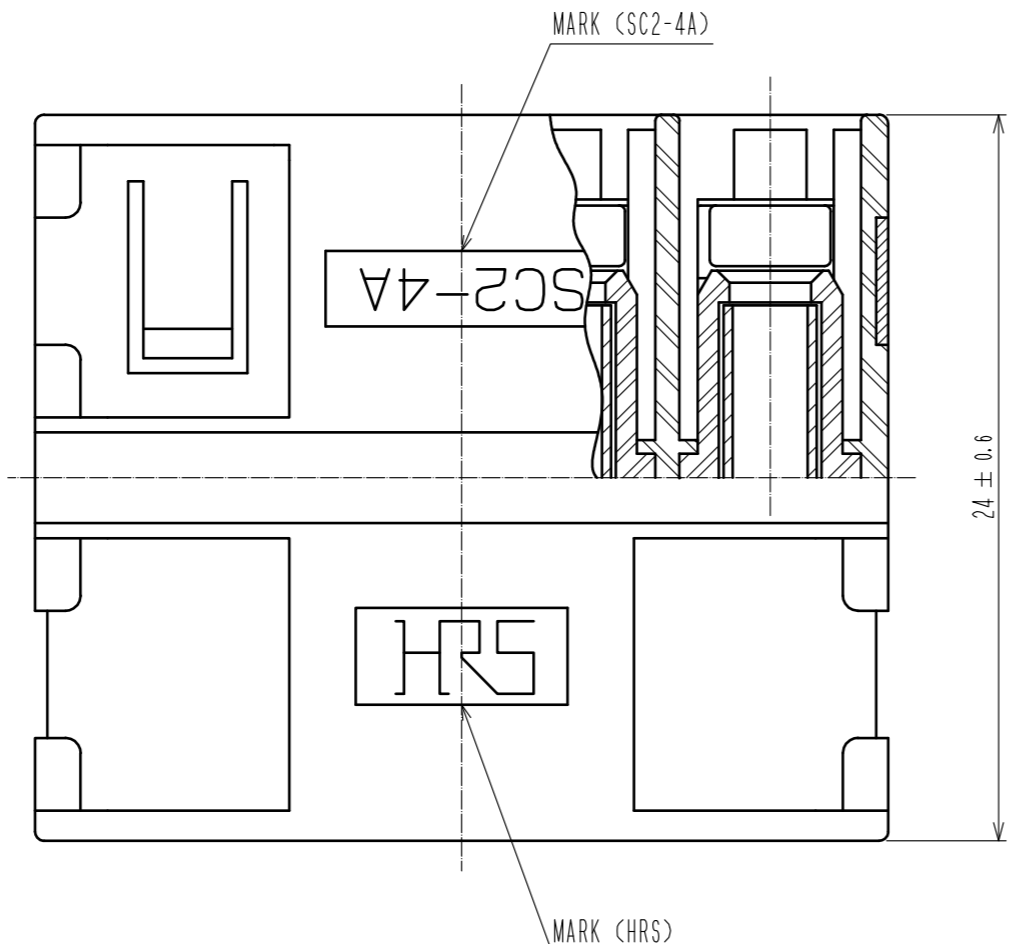
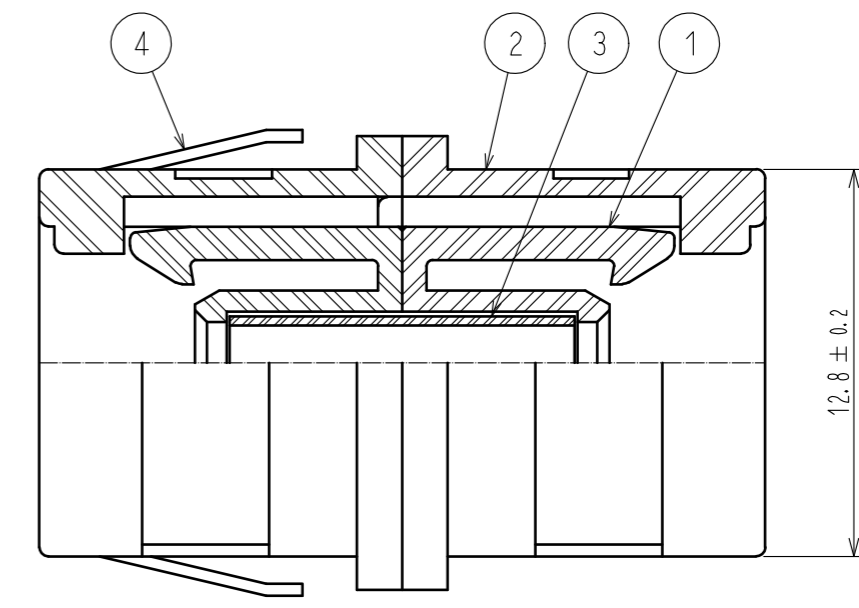
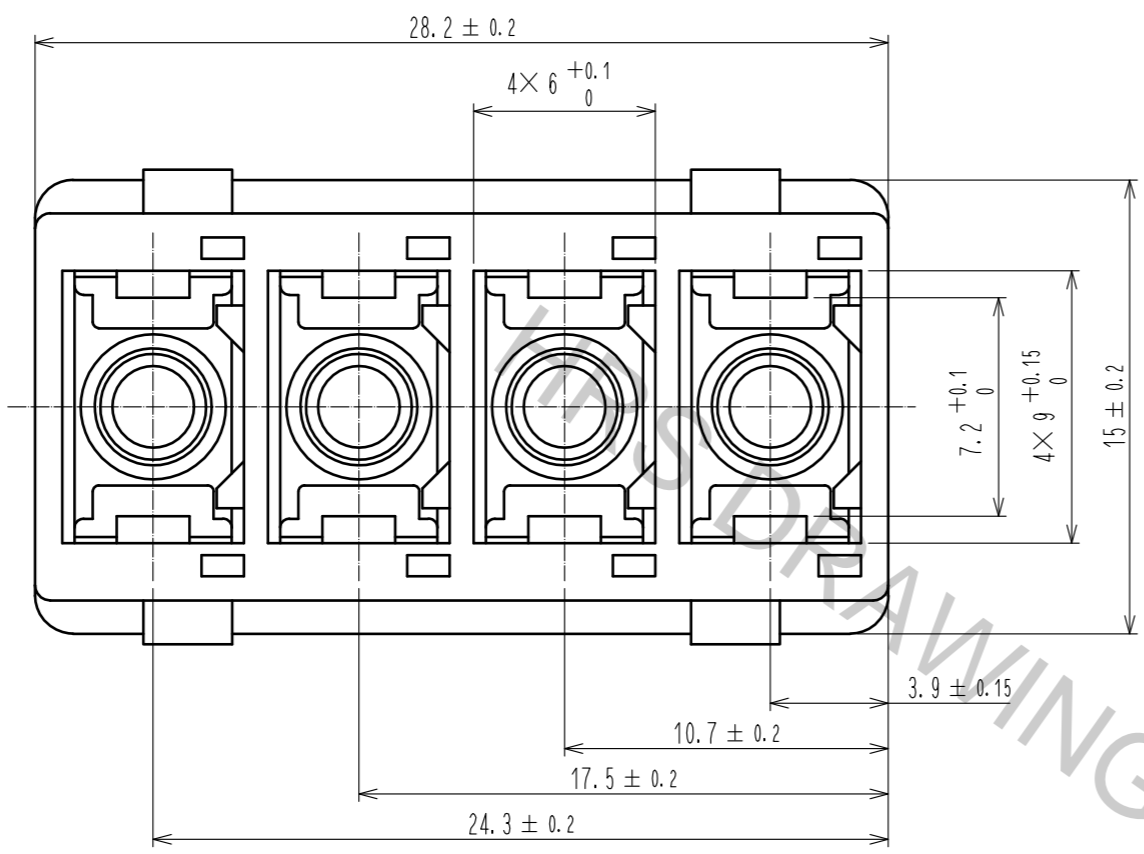
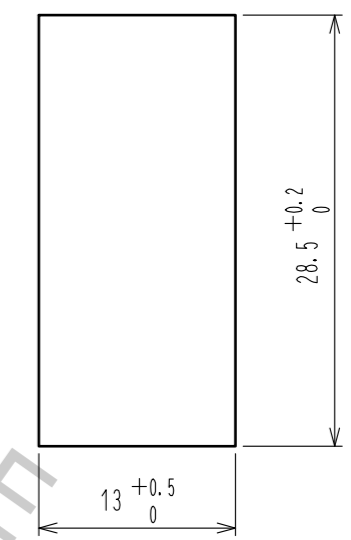


Apr.1.2017 Copyright 2017 HIROSE ELECTRIC CO., LTD. All Rights Reserved.



Panel cutout (2 : 1)



Panel thickness : 1.6mm

3	Zirconia		6					
2	PBT Resin	Color : Blue	5	TPEE Resin	Color : Black			
1	PBT Resin	Color : Blue	4	Stainless Steel				
NO.	MATERIAL	FINISH . REMARKS	NO.	MATERIAL	FINISH . REMARKS			
UNITS	mm	SCALE	4 : 1	COUNT	DESCRIPTION OF REVISIONS	DESIGNED	CHECKED	DATE
<b>HRS</b> HIROSE ELECTRIC CO., LTD.		APPROVED : MT. SHIBUTANI	15.11.19	DRAWING NO. EDC-172249-01-00				
		CHECKED : FS. YOSHIDA	15.11.19	PART NO. HSC2-4A-D1(01)				
		DESIGNED : SI. MATSUMOTO	15.11.19	CODE NO. CL704-0290-5-01				
		DRAWN : SI. MATSUMOTO	15.11.19					