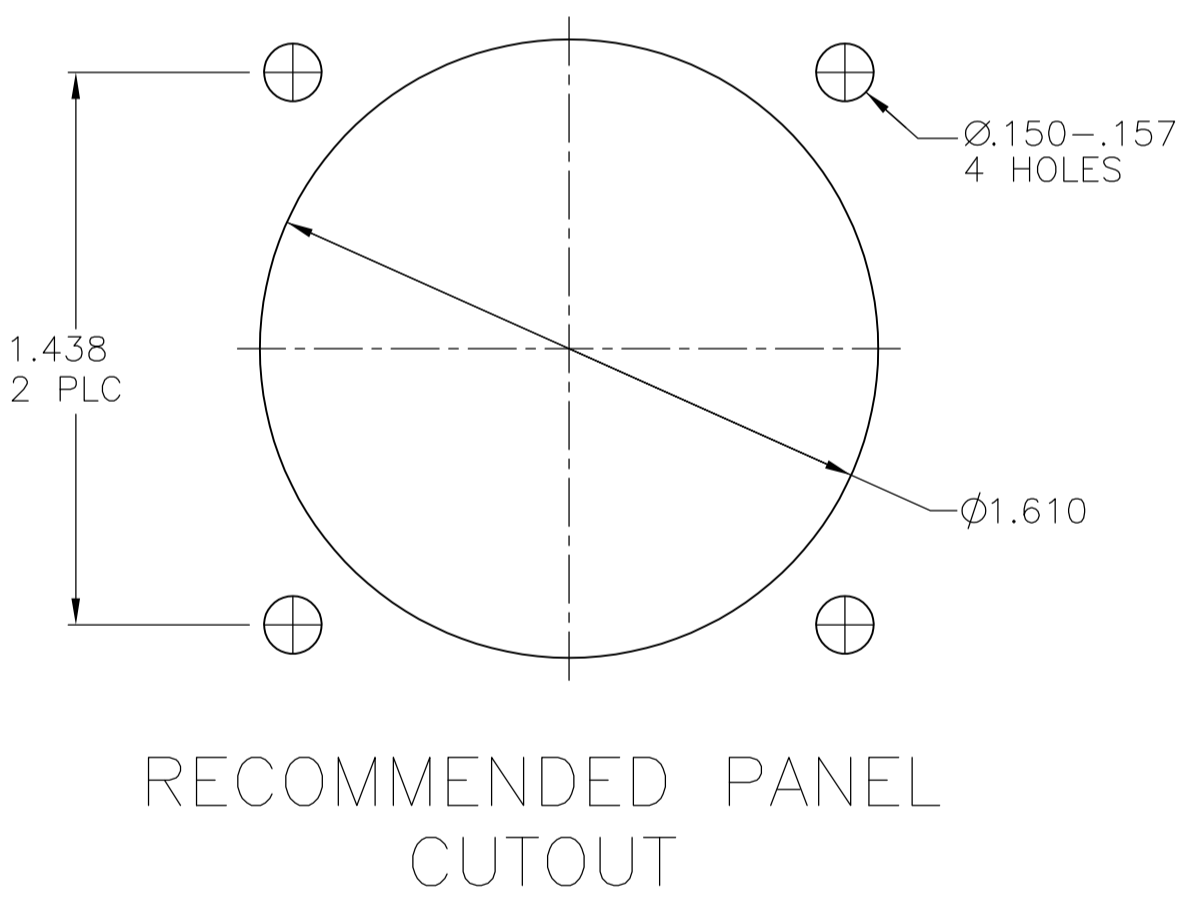
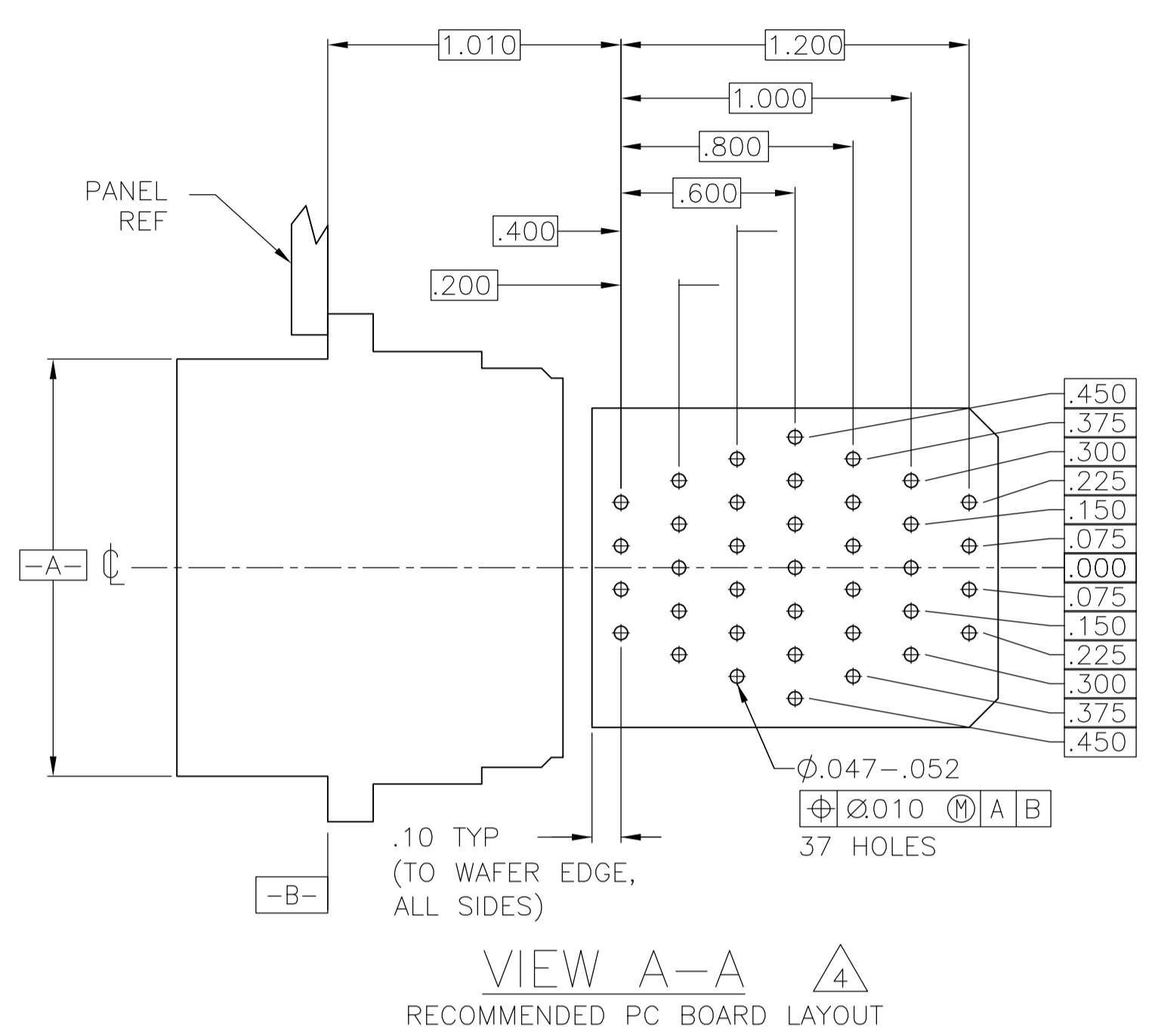
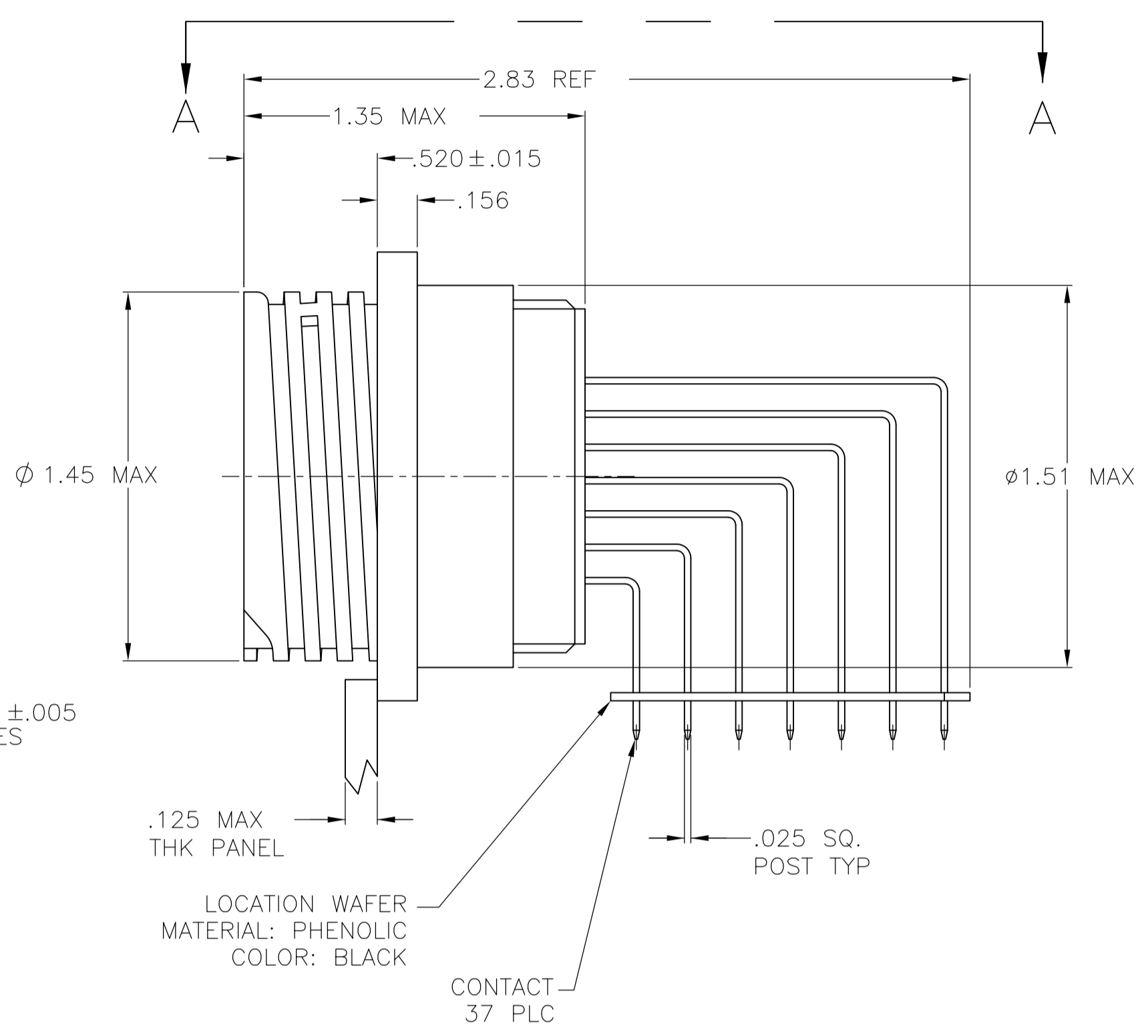
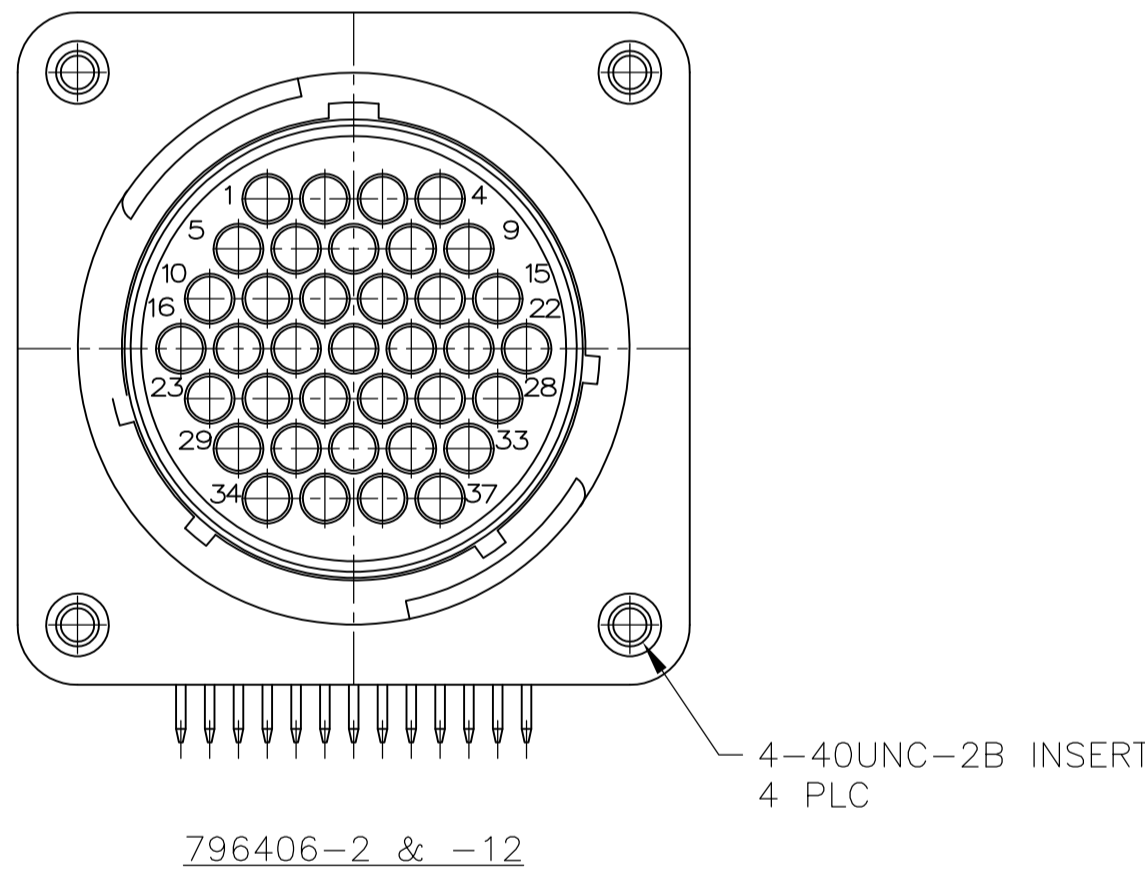
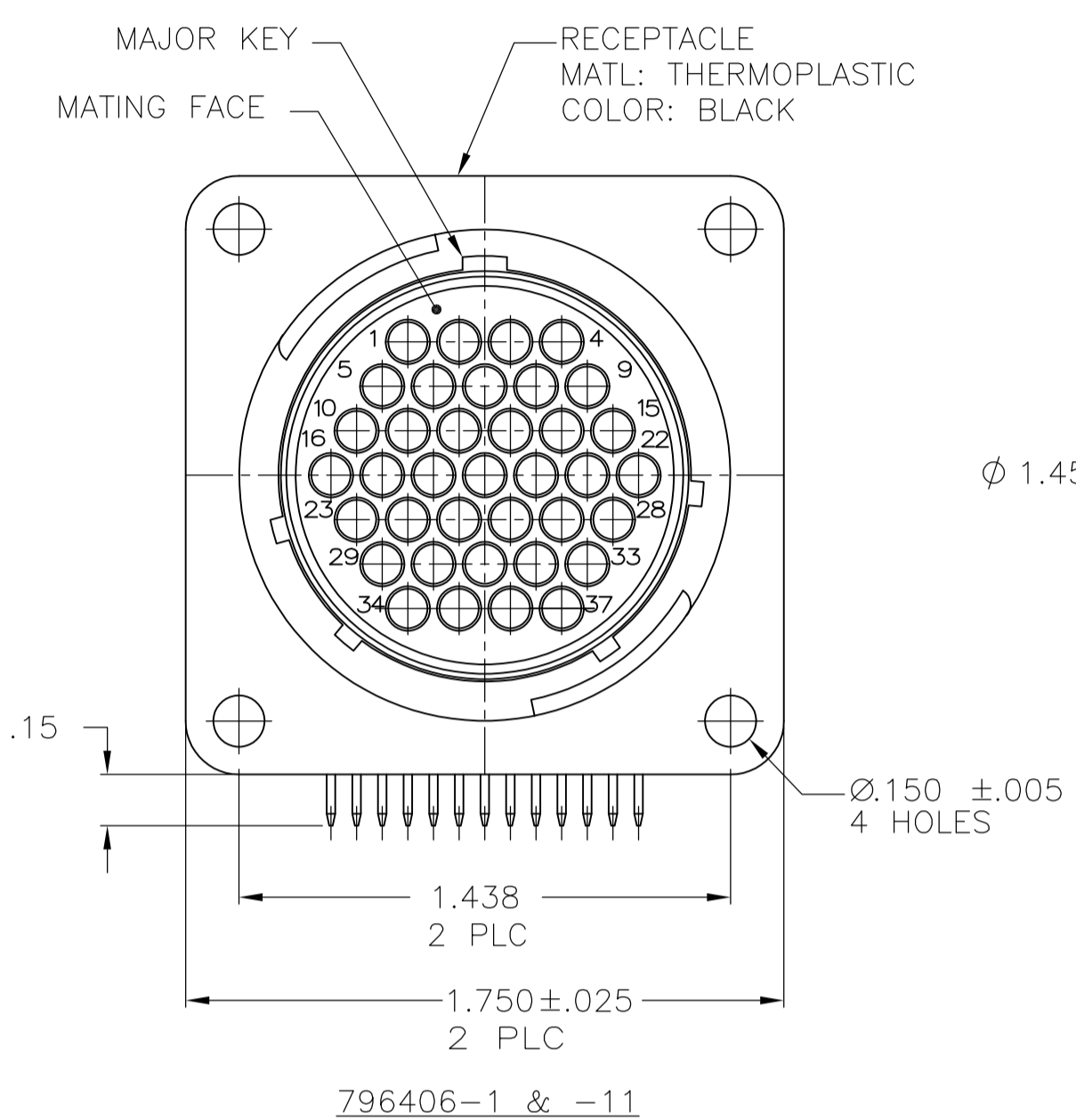


REVISIONS					
P	LTR	DESCRIPTION	DATE	DWN	APVD
H1		REVISED PER ECO-16-004800	10SEP2016	NK	MZ
J		REVISED PER ECO-16-018356	22MAR2017	RS	MZ



- 1 CONTACT CAVITIES IDENTIFIED BY CHARACTERS ON FRONT AND REAR FACES OF CONNECTOR.
- 2 #6 FASTENER RECOMMENDED FOR MOUNTING.
- 3 CONTACT BODY: .000030 MIN GOLD FOR A LENGTH OF .250 MIN FROM MATING END, WITH REMAINDER TO BE GOLD FLASH, BOTH OVER .000050 MIN NICKEL. CONTACT POST: .000100 MIN TIN-LEAD OVER .000050 MIN NICKEL.
- 4 PC BOARD HOLE PATTERN IS DEFINED RELATIVE TO CONNECTOR C.L. AND PANEL MOUNTING FACE INDICATED.
- 5 CONTACT BODY: .000030 MIN GOLD FOR A LENGTH OF .250 MIN FROM MATING END, WITH REMAINDER TO BE GOLD FLASH, BOTH OVER .000050 MIN NICKEL. CONTACT POST: .000100 MIN TIN OVER .000050 MIN NICKEL.
- 6 CONTACT BODY: .000100 MIN TIN FOR A LENGTH OF .250 MIN FROM MATING END, OVER .000050 MIN NICKEL. CONTACT POST: .000100 MIN TIN OVER .000050 MIN NICKEL.
- 7 PIN POSITIONS 2, 6, 10, 17, 23, 29 & 34 VACANT
- 8 PIN POSITIONS 3, 8, 14, 21, 27 & 33 VACANT

CONTACT FINISH	PERIPHERAL SEAL	THREADED INSERT	PART NUMBER
5	YES	YES	1-796406-2
5	NO	NO	1-796406-1
6	YES	NO	796406-5
6	YES	NO	796406-4
6	NO	NO	796406-3
3	NO	YES	796406-2
3	NO	NO	796406-1

THIS DRAWING IS A CONTROLLED DOCUMENT.

DIN HAMNER 3-7-00
 CHK MCHACKO 3-9-00
 APVD MCHACKO 3-9-00

NAME: RECEPTACLE ASSY, POSTED, RT ANGLE, STD SEX, SIZE 23-37, SERIES 1, CPC

SIZE: A1
 CAGE CODE: 00779
 DRAWING NO: 796406

CUSTOMER DRAWING SCALE: 2:1 SHEET: 1 OF 1 REV: J