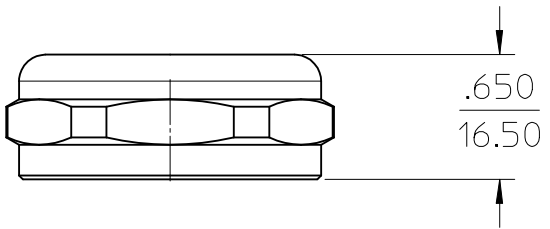
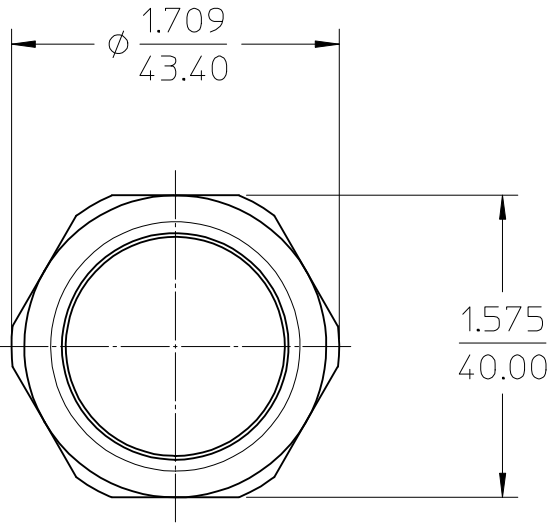
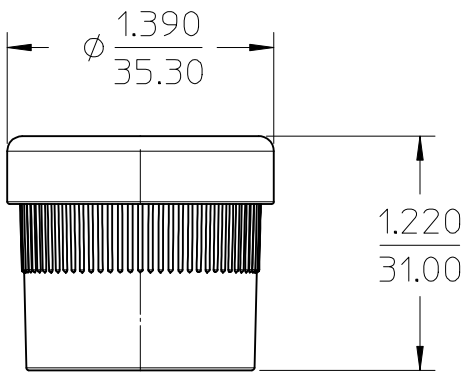
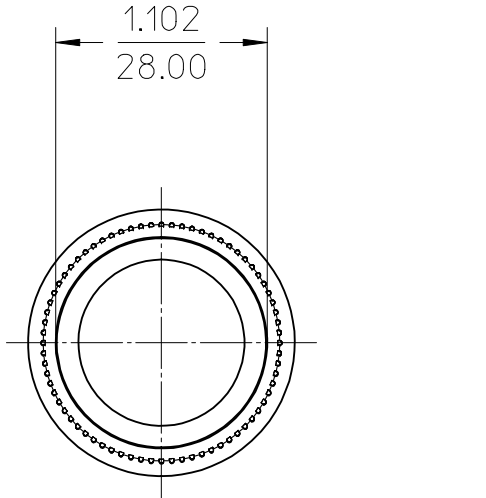


NO.	PARTS NAME	QUAN.	MATERIAL
①	CABLE CAP	1	BRASS, Ni PLATING
②	BUSH	1	PVC



END BELL CAP



END BELL BUSH

YELLOW	φ24~φ28	28	58550-0003
ORANGE	φ20~φ25	25	58550-0002
BROWN	φ17~φ21	21	58550-0001
BLUE	φ14~φ18	18	58550-0000
BUSH COLOR	WIRE SIZE	A	ENG. NUMBER

ANGLE	±3°
30 OVER	±0.3°
10 OVER 30 UNDER	±0.25°
10 UNDER	±0.2°

<b>REDRAWN</b> EC NO: IPG2013-0061 DRWN:CD CH'KD: APPR: BWOODMAN	QUALITY SYMBOLS 	GENERAL TOLERANCES (UNLESS SPECIFIED)		DIMENSION STYLE <b>MM ONLY</b>		SCALE <b>1:1</b>	DESIGN UNITS <b>METRIC</b>	THIRD ANGLE PROJECTION		
		4 PLACES	± ---	± ---	DRAWN BY CD	DATE 2012/07/13	TITLE <b>ROBOT CONNECTOR          END BELL CAP SET</b>			
		3 PLACES	± ---	± ---	CHECKED BY	DATE				
		2 PLACES	± 0.05	± ---	APPROVED BY BWOODMAN	DATE 2013/05/22	<b>molex</b> DOCUMENT NO. <b>SD-58550-****</b> SHEET NO. <b>1 OF 1</b>			
1 PLACE	± 0.10	± ---	MATERIAL NO. <b>SEE TABLE</b>							
0 PLACE	± ---	± ---	ANGULAR ± .5 ° DRAFT WHERE APPLICABLE MUST REMAIN WITHIN DIMENSIONS		SIZE <b>A</b>	THIS DRAWING CONTAINS INFORMATION THAT IS PROPRIETARY TO MOLEX INCORPORATED AND SHOULD NOT BE USED WITHOUT WRITTEN PERMISSION				