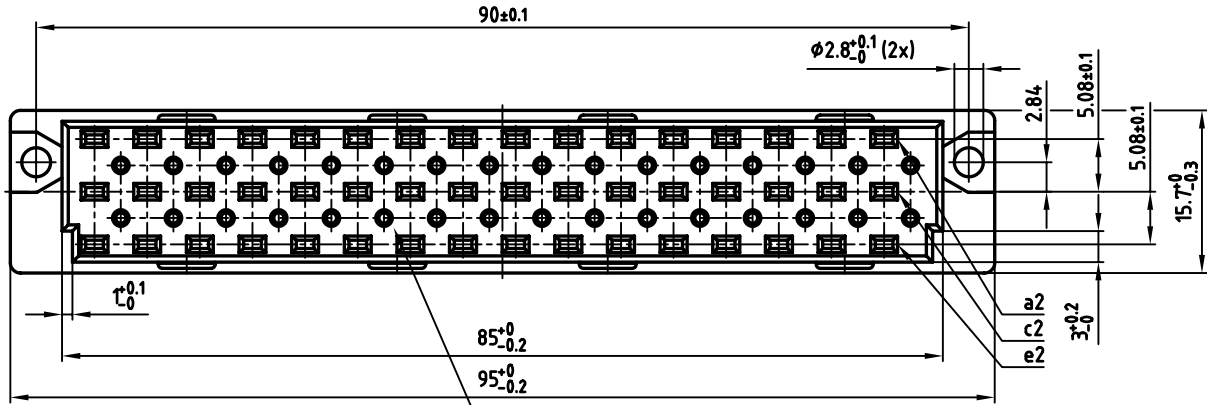
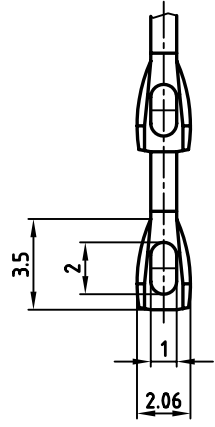
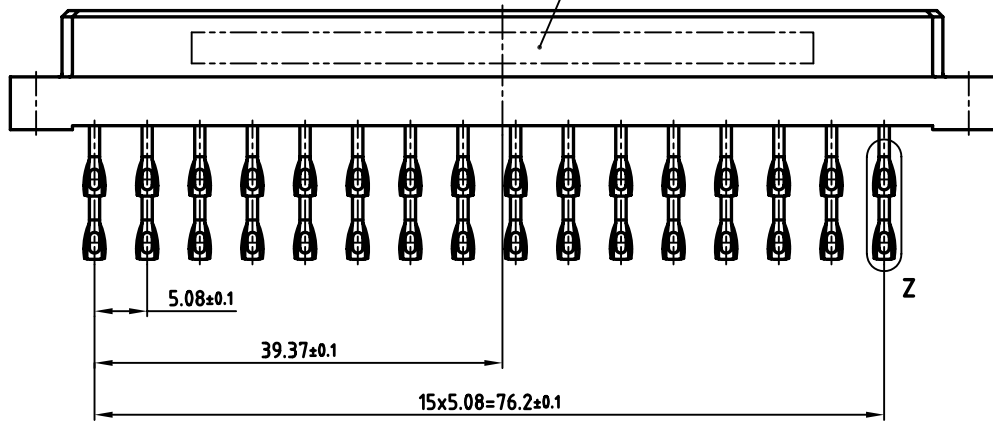


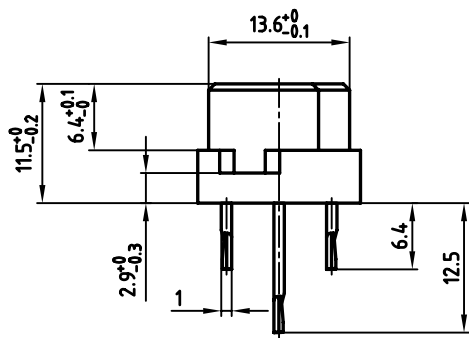
used for: DIN EN 60603-2 TYPE "E"

SEE NOTE 3

Z 5:1



32 HOLES FOR CODE PINS $\phi 1 \times 4.5$ mm DEEP

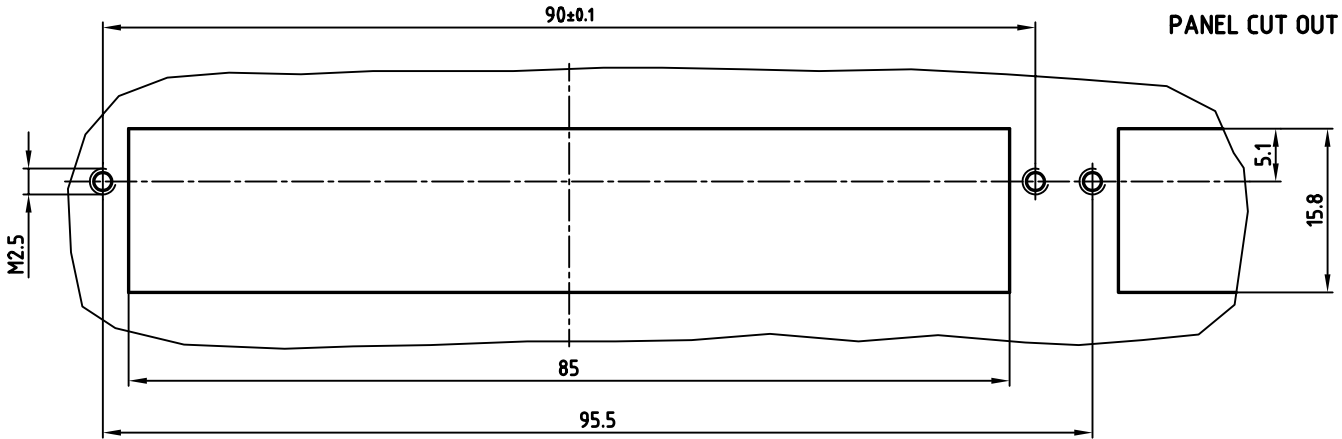


Directive 2002/95/EC
RoHS
Compliant

NOTES:

- INSULATORS: PBTP UL 94 V-0, GREY
- CONTACTS: COPPER ALLOY
PLATING: GOLD OVER NICKEL
50 MATING CYCLES
- CONNECTOR IS PART MARKED: 122A11629X CONEC ABC

PANEL CUT OUT



APPROVAL # FREIGABE # DEBLOCAGE # AUTORIZACION # APPROVAL

CUSTOMER APPROVAL DATE:

NAME: TITLE:

COMPANY NAME:

APPROVAL # FREIGABE # DEBLOCAGE # AUTORIZACION # APPROVAL

THIS DRAWING MAY NOT BE COPIED OR REPRODUCED IN ANY WAY, AND MAY NOT BE PASSED ON TO A THIRD PARTY, WITHOUT WRITTEN PERMISSION. OWNERSHIP AND COPYRIGHT OF CONEC GMBH DO NOT ALTER CAD DRAWING BY HAND

rev.	description	date	name
a	Origin		

tolerance ϕ dim. in mm

year	date	name
2007	08.11.	Lehmenkühler
	08.11.	Mickenbecker

norm: DIN EN 60603-2

d-old

CONEC

scale: 2:1 (5:1)

material: SEE NOTES

title: FEMALE CONNECTOR TYPE "E"
48pos. SOLDER LUG

dwg no: AutoCAD 2006 DIN-A 3 sh: 1/1

part no: 122A11629X