

## HARTING RJ Industrial® 10G RJ45 bulkhead

### Advantages

- Compact and robust design
- 360° shielding
- Compatible with HIFF dimensions for use in:
  - Han® 3 A series
  - HARTING PushPull (V4)
  - Han® PushPull (V14)
  - *har*-port
 Details see page 01.11
- Suitable for PoE (IEEE 802.3af) and PoE+ (IEEE 802.3at)

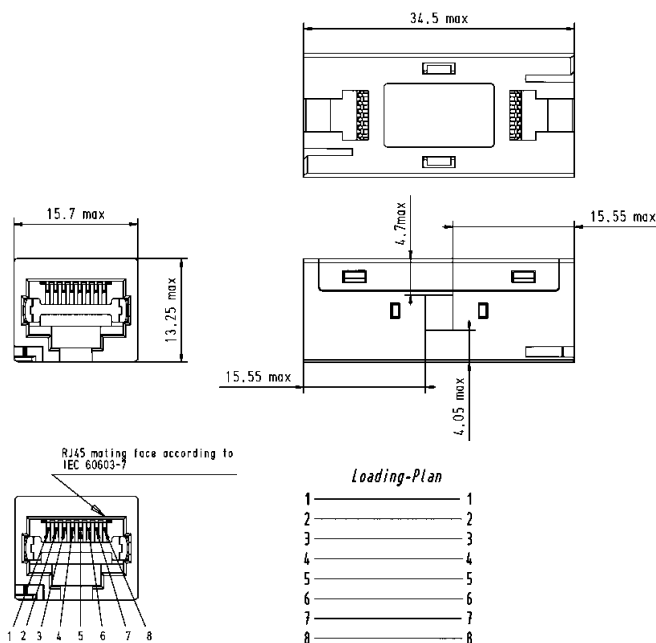
### Technical characteristics

Mating face	RJ45 acc. to IEC 60603-7
Number of contacts	8
Transmission category	Cat. 6, performance class E <sub>A</sub> , suitable for 1/10 Gigabit Ethernet
Degree of protection	IP20
Mating cycles	min. 750
Temperature range	–40 °C ... +70 °C
Housing material	Zinc die-cast, nickel-plated
Flammability acc. to UL 94	V0

Identification	Part number	Drawing	Dimensions in mm
----------------	-------------	---------	------------------

HARTING RJ Industrial® 10G RJ45 bulkhead (HIFF version)

09 45 545 1560



HARTING RJ Industrial® 10G RJ45 bulkhead (keystone version)

09 45 545 1568

