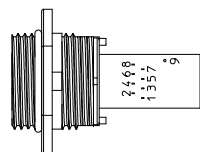
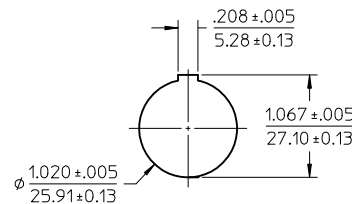
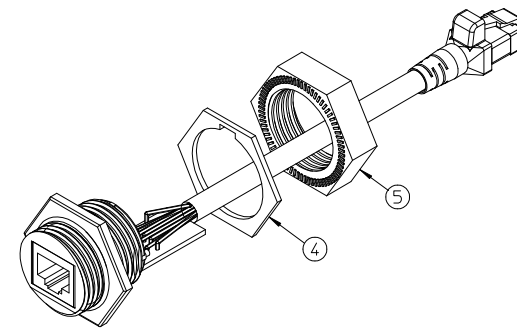
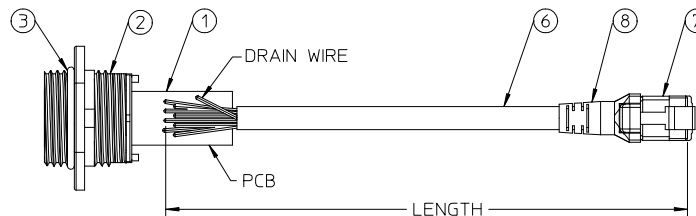


MATERIAL NO	ENGINEERING NO.	LENGTH	TOLERANCE
1300550002	ENSP1F5C305	30.5 CM (1.0 FT)	+1.9 -0 CM(+.75"-0)
1300550004	ENSP1F5M006	0.6 M (1.97 FT)	+4.4 -0 CM(+1.75"-0)
1300550005	ENSP1F5M010	1.0 M (3.28 FT)	+5.6 -0 CM(+2.19"-0)
1300550003	ENSP1F5C305-V	30.5 CM (1.0 FT)	+1.9 -0 CM(+.75"-0)
1300550006	ENSP1F5M010-V	1.0 M (3.28 FT)	+5.6 -0 CM(+2.19"-0)

- WIRE LIST
PIN (SAME FOR BOTH CONNECTORS)
- 1 WHT/BLU
 - 2 BLUE
 - 3 WHT/ORG
 - 4 GREEN
 - 5 WHT/GRN
 - 6 ORG
 - 7 WHT/BRN
 - 8 BRN
 - 9 GND



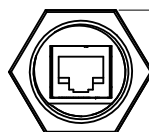
WIRING DIAGRAM
TOP VIEW OF PCB



PANEL CUT OUT
PANEL THK: .125 MAX. W/GASKET
.187 MAX. W/OUT GASKET
.062 MIN.

NOTES:

- 1) MATERIAL: SEE TABLE
- 2) FINISHES: SEE TABLE
- 3) LABEL IS MARKED WITH P/N, BAR CODE, DESCRIPTION
- 4) ELECTRICAL DATA:
WIRING TO PCB: 8 THRU HOLES, PLUS SHIELD
MAX. VOLTAGE: 125V DC
MAX. CURRENT 1.5A
PROTECTION IP67
TEMPERATURE RANGE: -20°C TO 80°C
CSA & UL
- 5) PACKAGING:
ASSEMBLIES ARE BAGGED SEPERATELY
IN POLY BAGS WITH BAR CODE LABEL ATTACHED
TO OUTSIDE OF BAG.
- 6) ASSEMBLY IS RoHS COMPLIANT.



ITEM 4 & 5 REMOVED FOR CLARITY

ITEM	QTY.	DESCRIPTION	MATERIAL	FINISH
8	1	BOOT HOOD	POLYOLEFIN	BLACK
7	1	RJ45 PLUG 8 POS	---	---
6	1	CABLE 4T/P 26AWG 5e	PVC	BLACK
5	1	HEX NUT	LNP	BLACK
4	1	BULKHEAD GASKET	NITRILE	BLACK
3	1	O RING	VITON	BROWN
2	1	HOUSING	ABS	BLACK
1	1	RJ45 W/PCB SUB ASSY.	---	---

REV	DESCRIPTION
B	MODIFIED CUTOUT EC NO: WNA2012-0069 DRWNK:J02WIK 2011/07/28 CHKD:WOODMAN 2011/07/28 APPR:JMURPHY 2011/08/13

QUALITY SYMBOLS

GENERAL TOLERANCES (UNLESS SPECIFIED)

	mm	INCH
4 PLACES	± .005	± .0005
3 PLACES	± .005	± .0005
2 PLACES	± .005	± .0005
1 PLACE	± .005	± .0005

ANGULAR ±1/2°

DRAFT WHERE APPLICABLE
MUST REMAIN
WITHIN DIMENSIONS

DIMENSION STYLE		SCALE	DESIGN UNITS	THIRD ANGLE PROJECTION
IN/MM		1:1	INCH	
DRAWN BY	DATE	TITLE		
BRUPERT	04/16/09	ENET FR/MP PASS 10T SHD		
CHECKED BY	DATE	MATERIAL NO.		
BWOODMAN	04/16/09	SEE CHART		
APPROVED BY	DATE	DOCUMENT NO.		
JMURPHY	04/16/09	SD-130055-002		

MATERIAL NO.		DOCUMENT NO.		SHEET NO.
SEE CHART		SD-130055-002		1 OF 1
THIS DRAWING CONTAINS INFORMATION THAT IS PROPRIETARY TO MOLEX INCORPORATED AND SHOULD NOT BE USED WITHOUT WRITTEN PERMISSION				