



Ultima

MA530.A.CG.003

Specification

Part No.	MA530.A.CG.003
Product Name	Taoglas "Ultima" Antenna Heavy Duty Screw Mount Antenna 2 x MIMO Dual-Band 2.4/5.0GHz
Feature	2.4GHz/5.0GHz suitable for ISM Bands/ZigBee/WLAN/Bluetooth IEEE.802.11n/IEEE.802.11ac High Isolation between Antenna Elements PC housing Waterproof IP67 & IP69K Rated Height 19.6mm Diameter 55.23mm RoHS Compliant

1. Introduction

The MIMO communication system has been one of the most promising technologies, well suited for high data rate communication. A MIMO (Multiple-Input-Multiple-Output) system use at least two antenna structures and is more advantageous than single-input single-output (SISO) in an aspect of increasing channel capacity and reducing transmitting power. MIMO antennas should have compact structure, high radiation efficiency, low envelope correlation, and high isolation between the signal ports.

In small structures (antennas spaced closely), the application of MIMO technology has been restricted by high degree of coupling and spatial correlation between antenna elements due to the limited available space. The isolation between antennas become critical as it can deteriorate the system performance and decreases channel capacity.

The Ultima MA530 MIMO antenna is low profile, heavy-duty, fully IP67 waterproof external M2M antenna for use, transportation and remote monitoring applications. This unique omnidirectional antenna provide high efficiency and high isolation between antennas elements in a heavy-duty low profile compact structure, delivering powerful MIMO antenna technology for Wi-Fi 802.11n and emerging 802.11ac.

The antenna screws down permanently onto a roof or metal panel and can be pole or wall-mounted. One antenna elements is vertically polarized and one is horizontally polarized to increase the isolation between antennas.

2. Specification

ULTIMA MA530 MIMO		
MIMO 1		
Operation Frequency (GHz)	2.4~2.5	5.15~5.85
Polarization	Linear	
Impedance (ohms)	50	50
Max Isolation (dB) to other port	-11	-20
Max VSWR	3.0:1	3.0:1
Max Return Loss (dB)	-5	-5
Peak Gain (dBi)	3.5	1.6
Efficiency (%)	39.6	26.5
Average Gain (dB)	-4.0	-5.8
Radiation Properties	Omni	Omni
Max Input Power	5W max	
MIMO 2		
Operation Frequency (GHz)	2.4~2.5	5.15~5.85
Polarization	Linear	
Impedance (ohms)	50	50
Max Isolation (dB) to other port	-11	-20
Max VSWR	3.0:1	3.0:1
Max Return Loss (dB)	-5	-5
Peak Gain (dBi)	5.5	2.3
Efficiency (%)	45.1	26.8
Average Gain (dB)	-3.4	-5.7
Max Input Power	5W max	
MECHANICAL		
Dimensions (mm)	Height=19.6 Diameter=55.23	
Cable	1M RG-174, Fully Customizable	
Casing	PC	
Base and Thread	Plastic	
Weather proof gasket	CR4305 foam with 3M9448B double-side adhesive	
Connector	RP-SMA Male, Fully Customizable	
Thread Diameter (mm)	M24	
Sealant	Rubber Stopper	
Weight	0.06Kg	
ENVIRONMENTAL		
Protection	IP67 & IP69K rated	
Temperature Range	40°C to +85°C	
Thermal Shock	100 cycles -40 C to +85 C	
Humidity	Non-condensing 65 C 95% RH	
Shock (Drop Test)	1m drop on concrete 6 axes	

*The Ultima MA.530 MIMO antenna performance was measured with RG174 coaxial cable at 1 meter cable length.

3. Antenna Characteristics

3.1 Test set-up

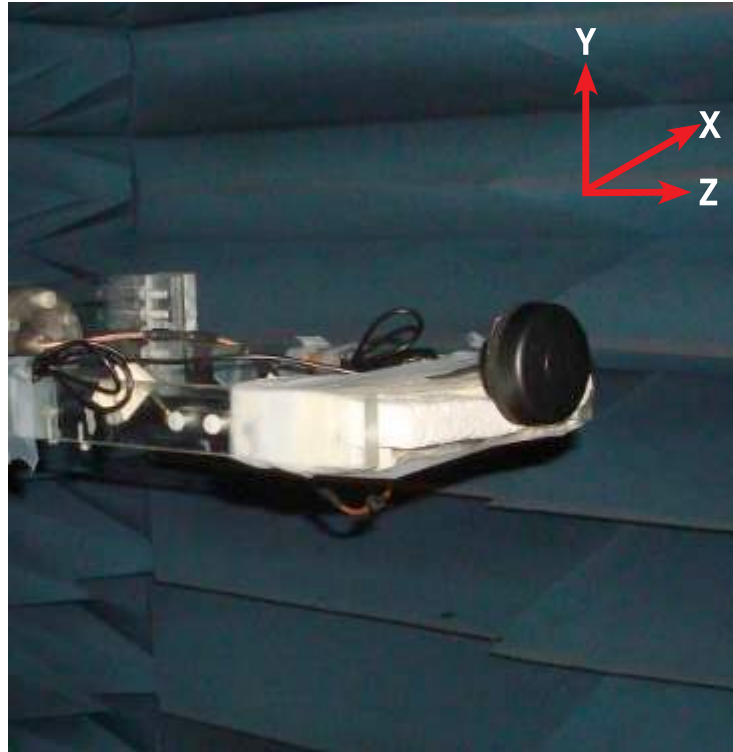


Figure 1. Peak gain, efficiency and radiation pattern measurements.

3.2 Return Loss

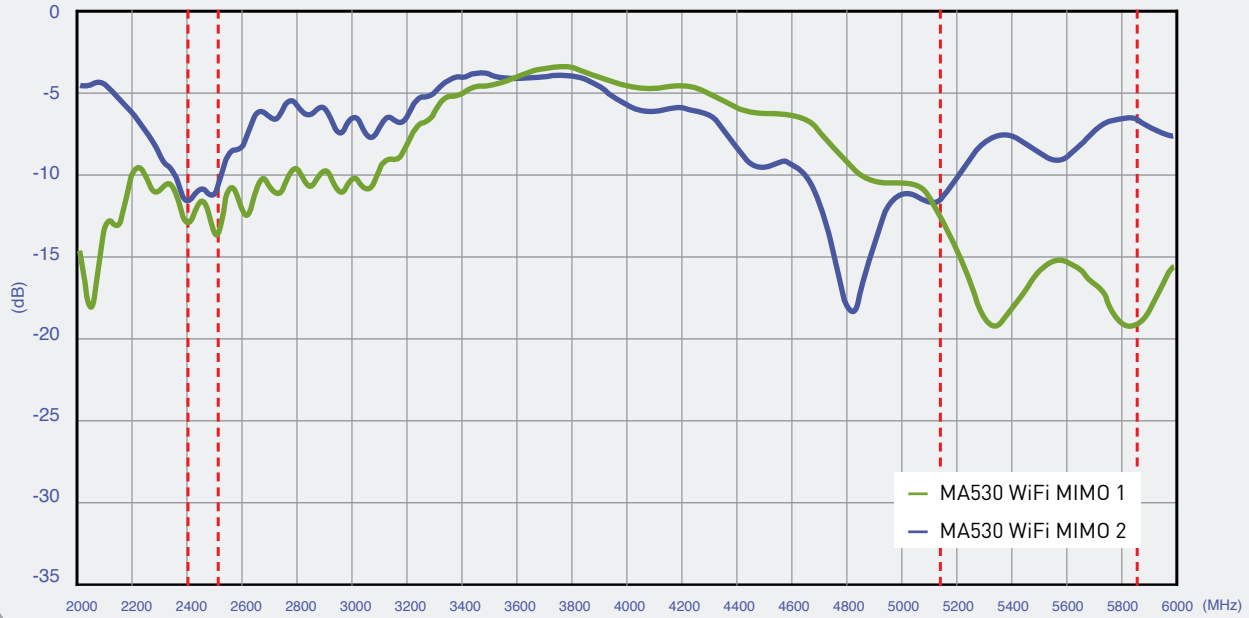


Figure 2. Return loss of the Ultima MA530 MIMO antenna.

3.3 Insertion Loss of Two Ports

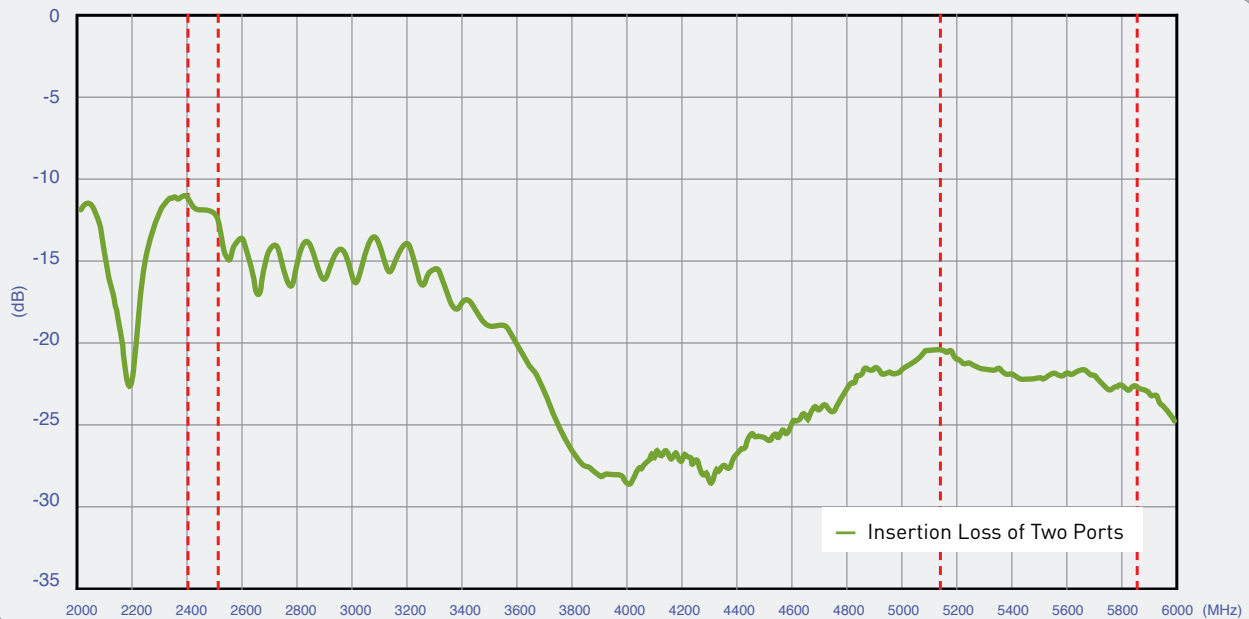


Figure 3. Insertion Loss of the Ultima MA530 MIMO antenna

3.4 Efficiency

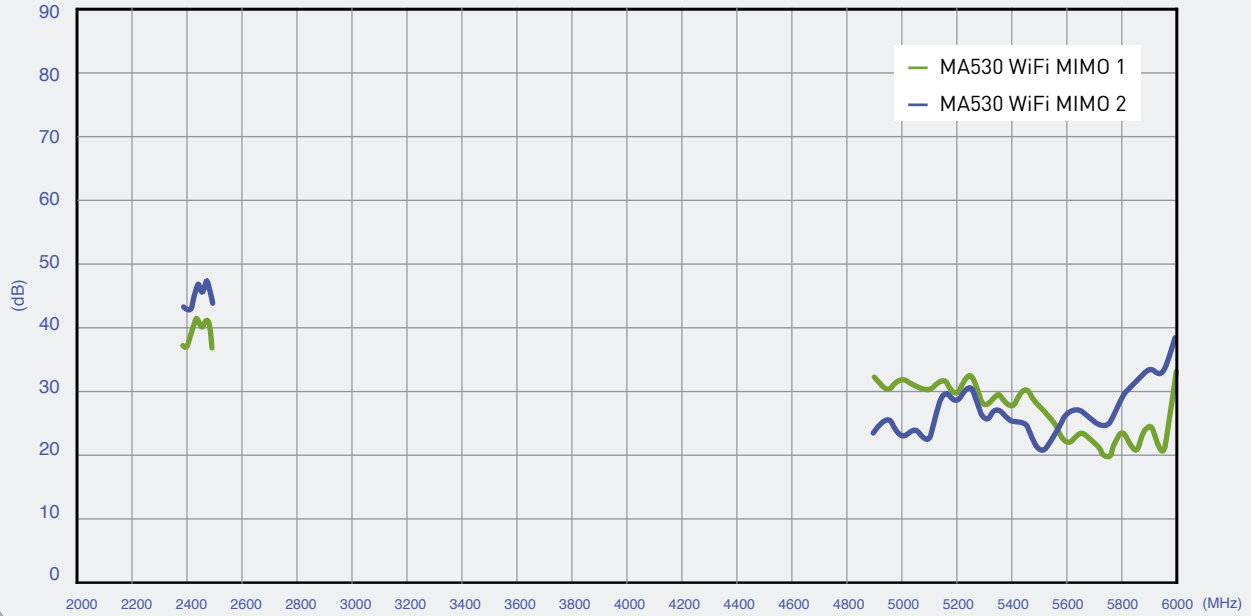


Figure 4. Efficiency of the Ultima MA530 MIMO antenna

3.5 Peak Gain

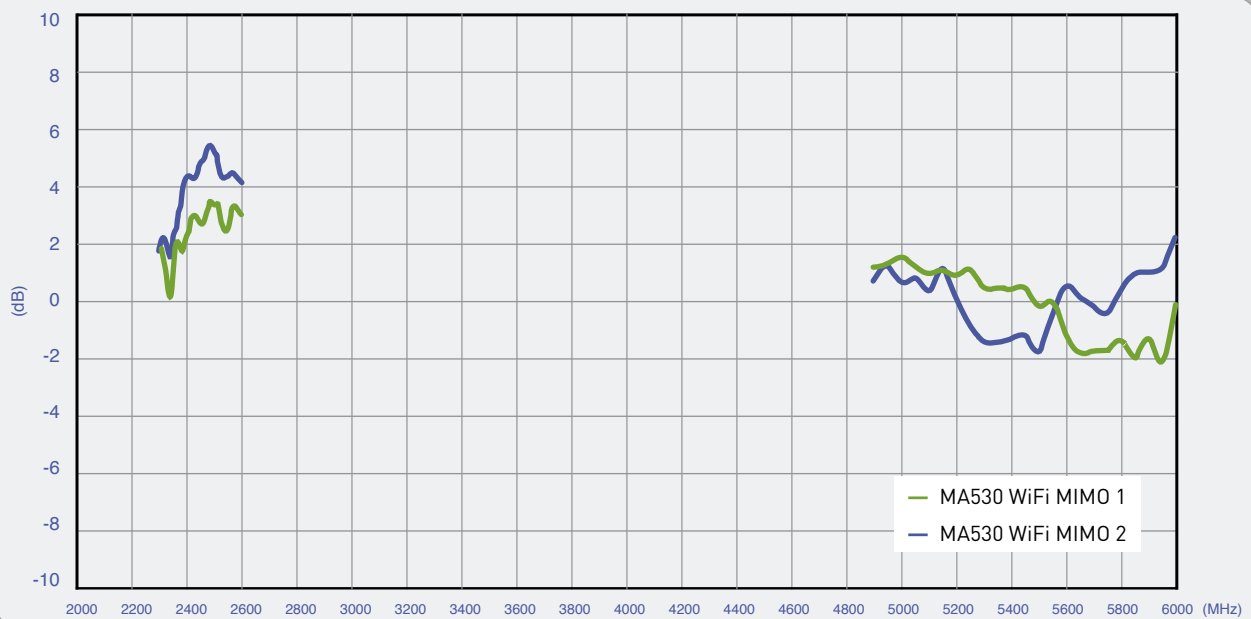


Figure 5. Peak Gain of the Ultima MA530 MIMO antenna.

3.6 Average Gain

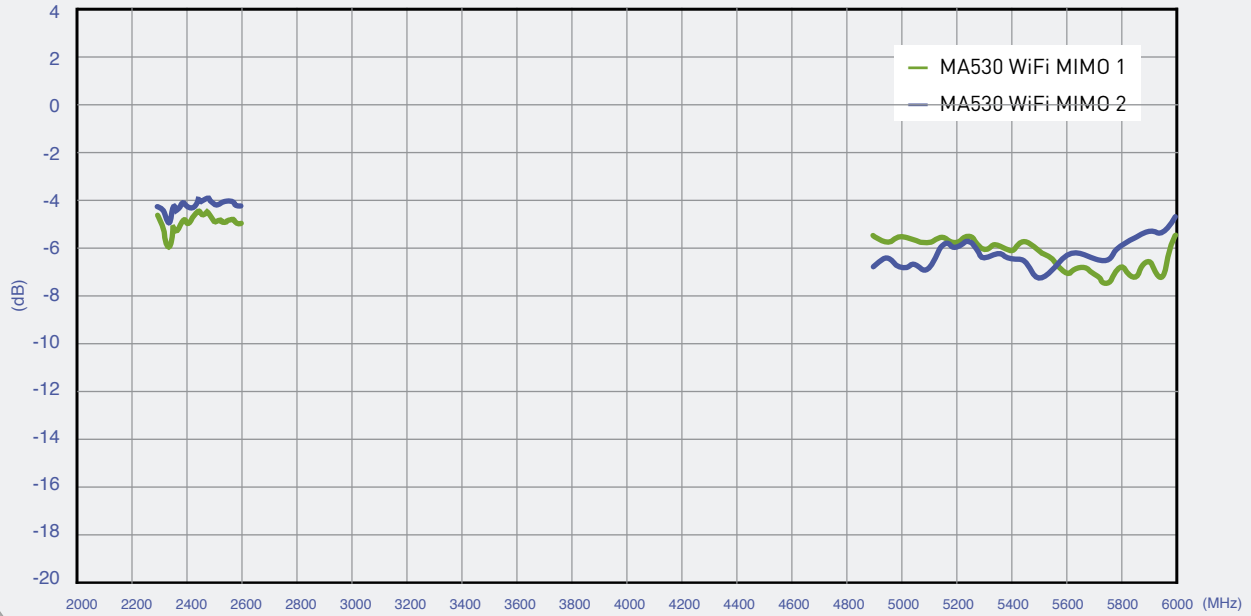


Figure 6. Average Gain of the Ultima MA530 MIMO antenna

3.7 3D Radiation Patterns

3.7.1 MIMO Antenna 1

XY Plane

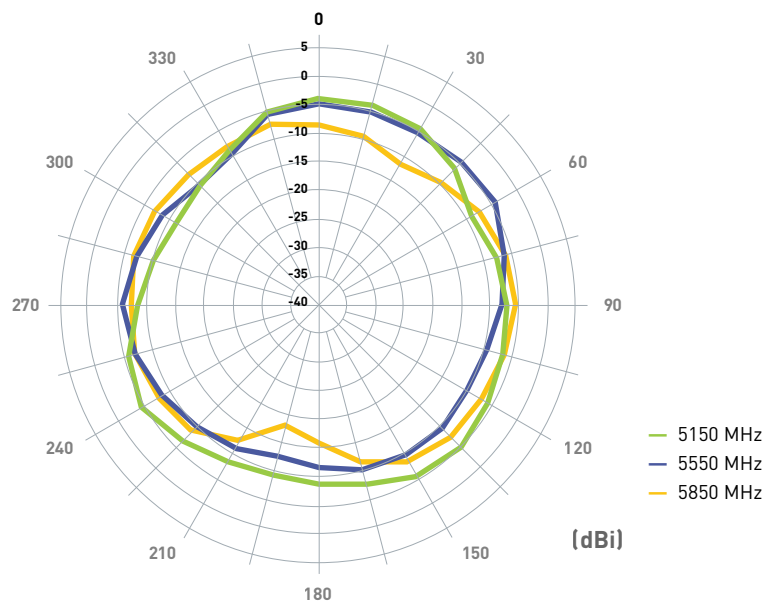
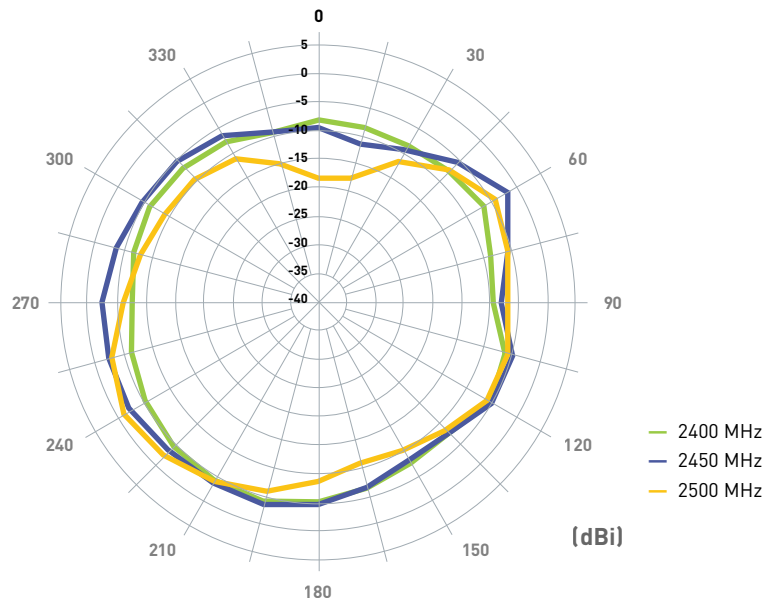


Figure 7. 2D Radiation Pattern of the MA530 MIMO1 Antenna

3.7.1 MIMO Antenna 1

XZ Plane

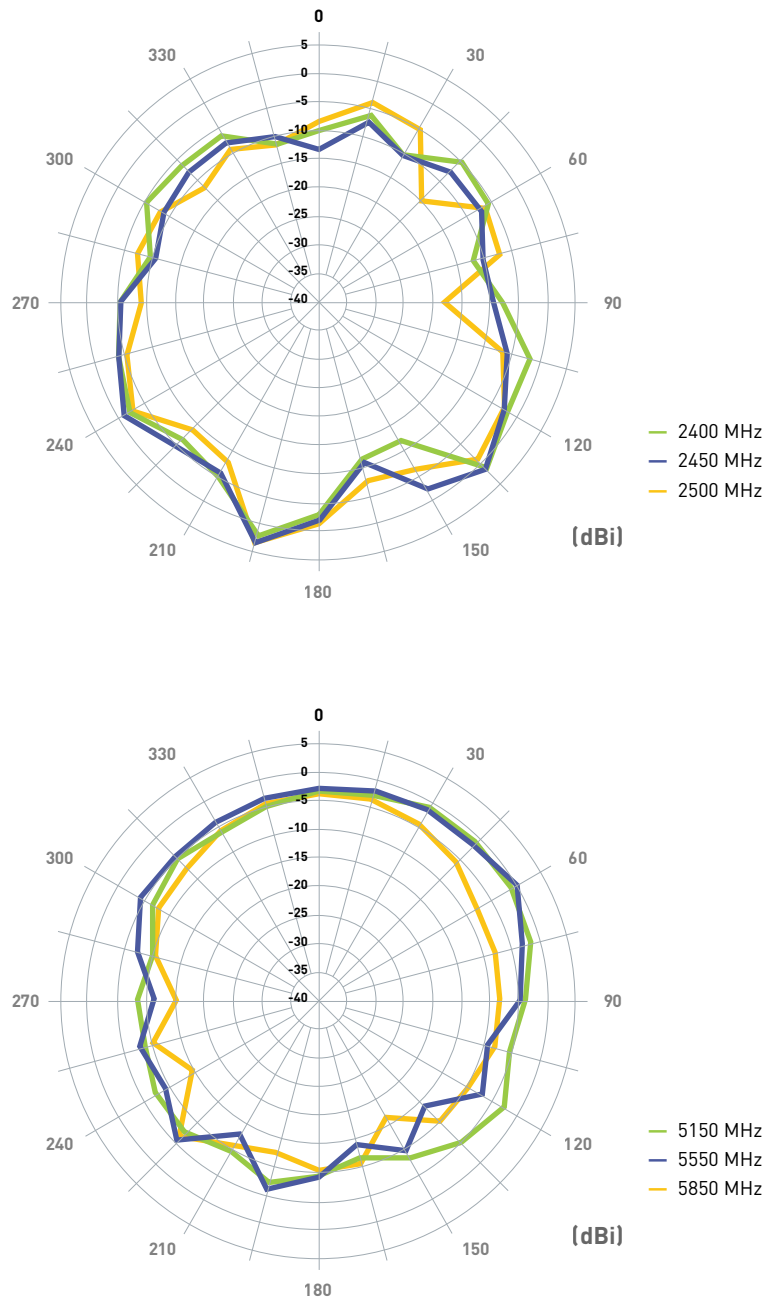


Figure 7. 2D Radiation Pattern of the MA530 MIMO1 Antenna

3.7.1 MIMO Antenna 1

YZ Plane

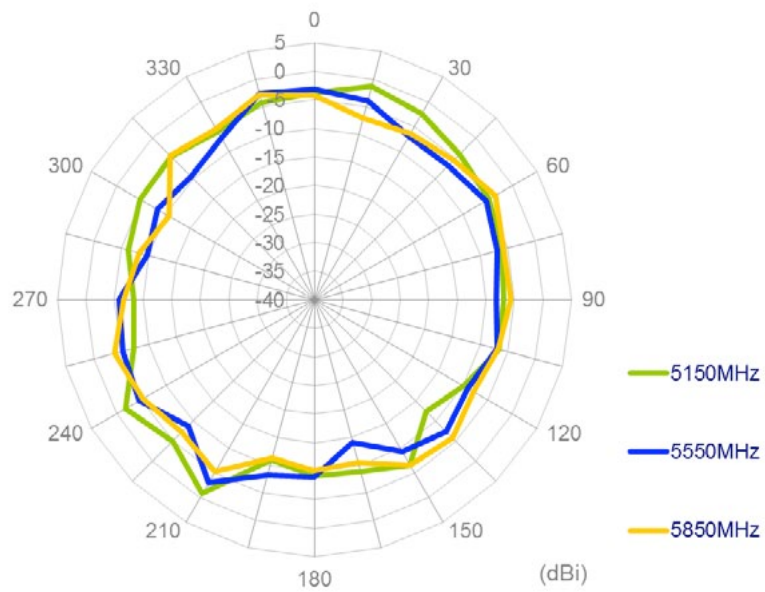
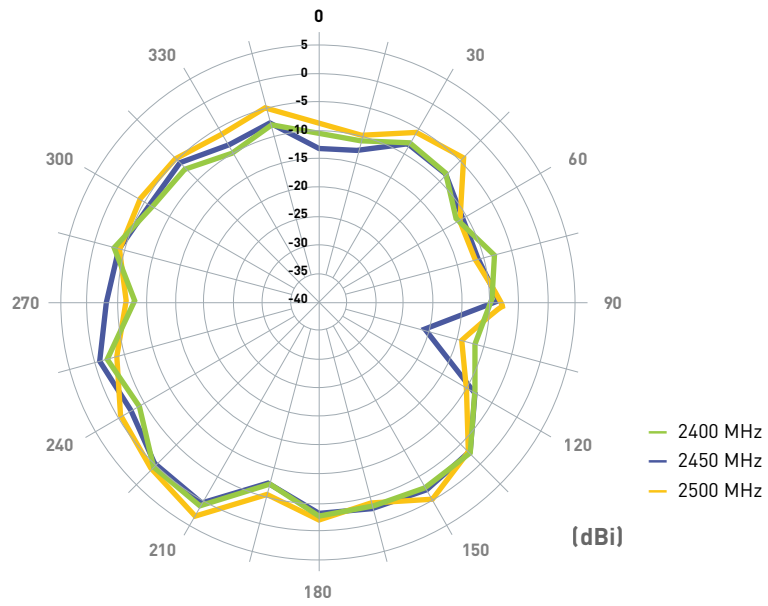


Figure 7. 2D Radiation Pattern of the MA530 MIMO1 Antenna

3.7.2 MIMO Antenna 2

XY-Plane

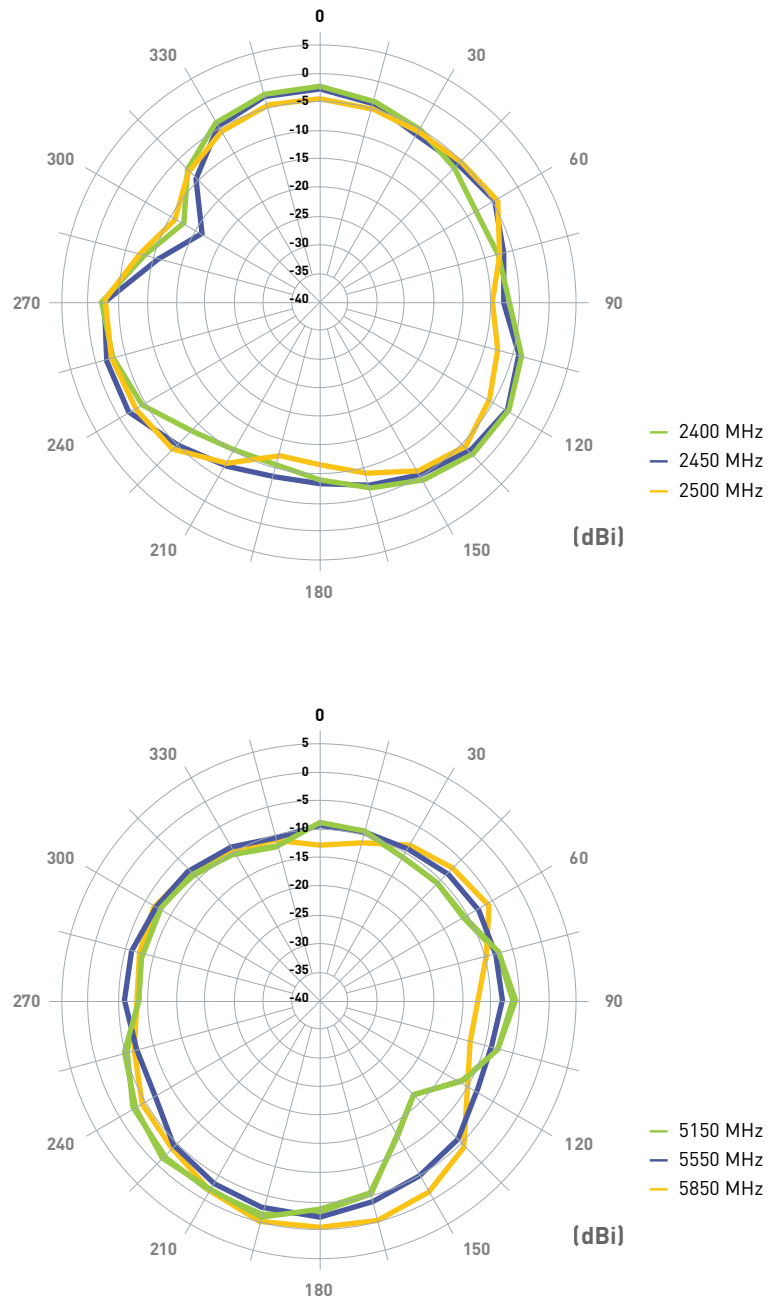


Figure 8. 2D Radiation Pattern of the MA530 MIMO2 Antenna

3.7.2 MIMO Antenna 2

XZ-Plane

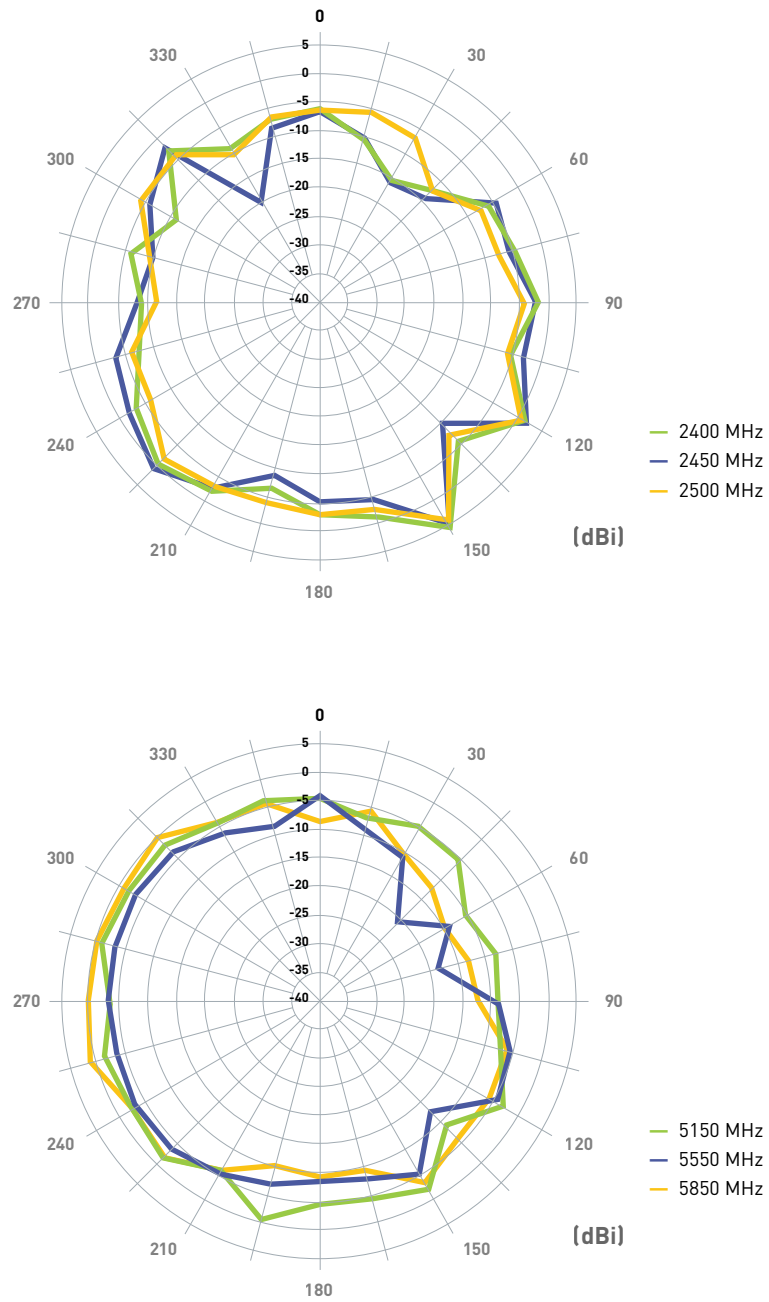


Figure 8. 2D Radiation Pattern of the MA530 MIMO2 Antenna

3.7.2 MIMO Antenna 2

YZ-Plane

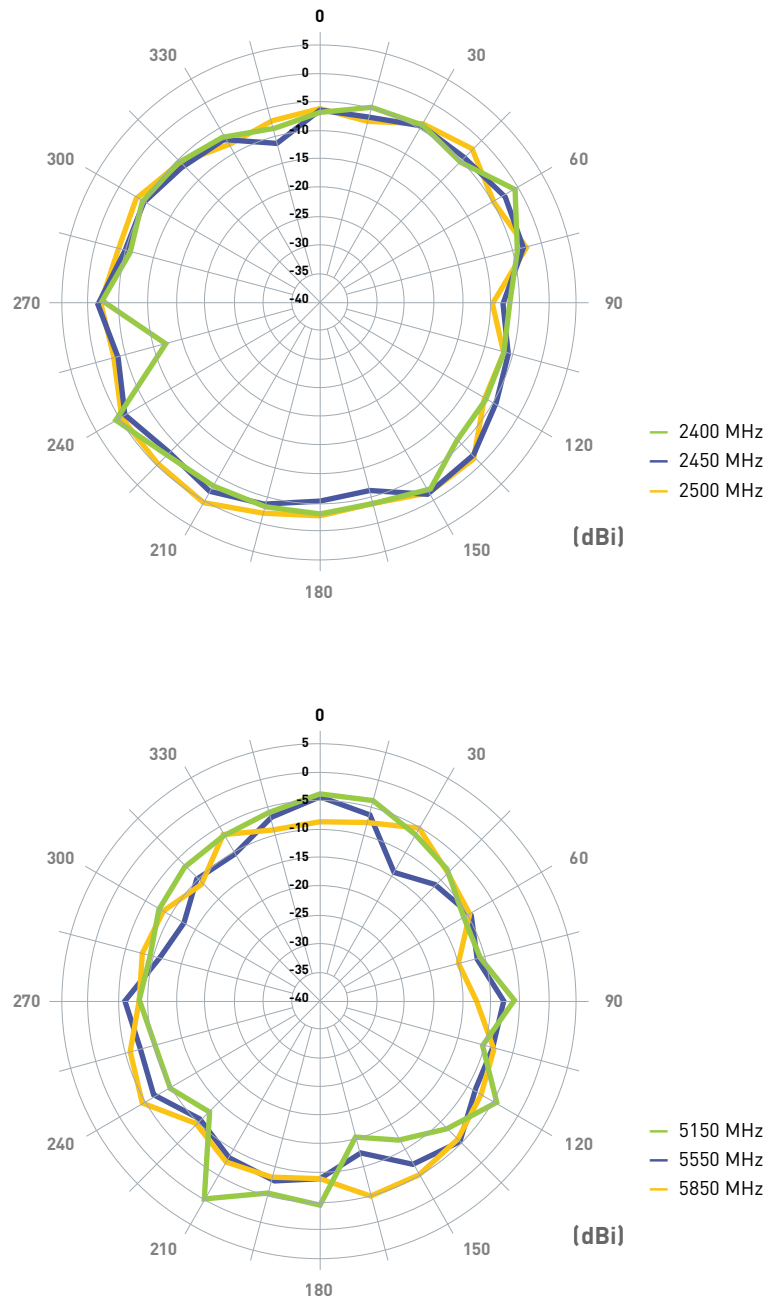
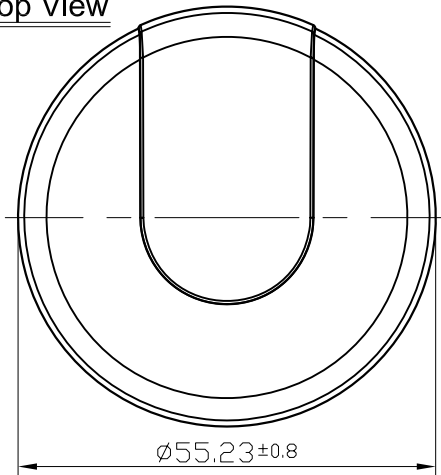


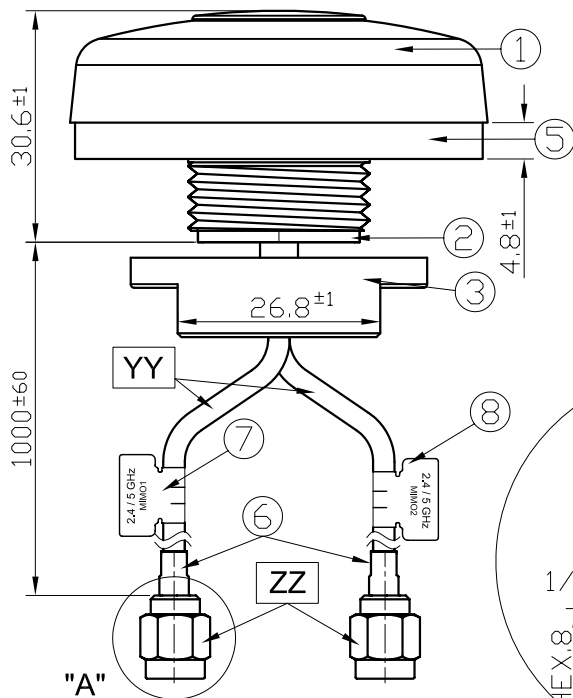
Figure 8. 2D Radiation Pattern of the MA530 MIMO2 Antenna

4. Antenna Drawing

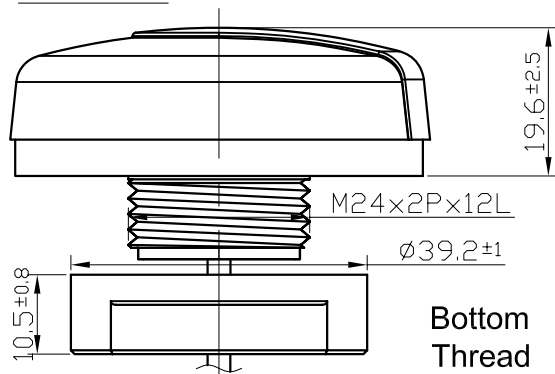
Top View



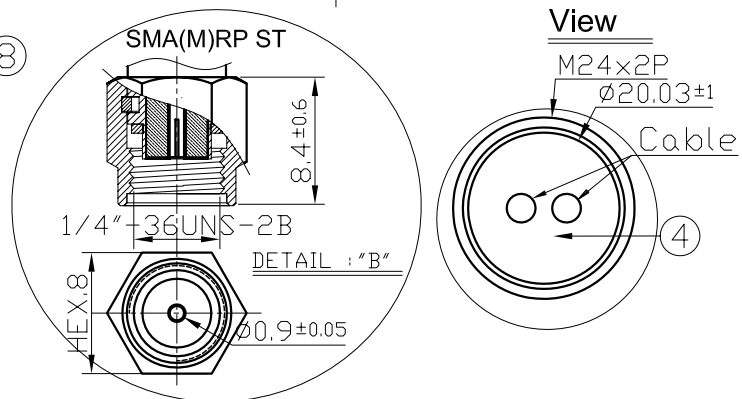
Front View



Side View



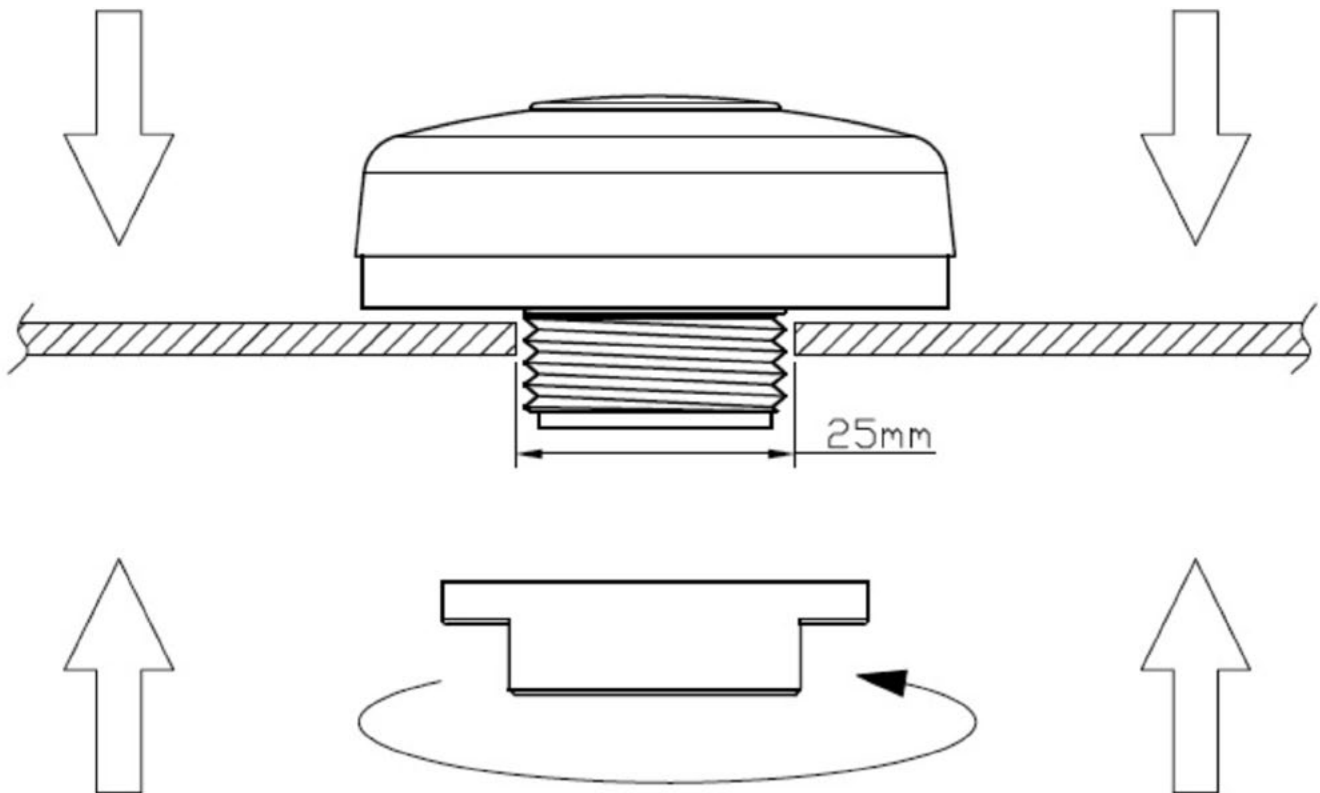
Bottom Thread View



	Name	Material	Finish	QTY
1	Ultima Housing Top (PC)	PC	Black	1
2	Ultima Housing Bottom (PC)	PC	Black	1
3	M24 Nut $\varnothing 04$	ABS	Black	1
4	Silicon Rubber	Silicon Rubber	Black	1
5	Foam	CR4305+3M9448	Black	1
6	Heat Shrink Tube	PE	Black	1
7	2.4/5GHz(MIMO1) Label (48x30)	Coated Paper	Dark green	1
8	2.4/5GHz(MIMO2) Label (48x30)	Coated Paper	Light Green	1

	Name	Spec	Finish	QTY
YY	Cable Type	RG174	Black	2
ZZ	Connector Type	SMA(M) RP ST	Gold	2

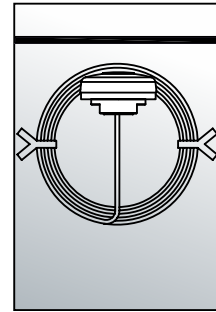
5. Installation



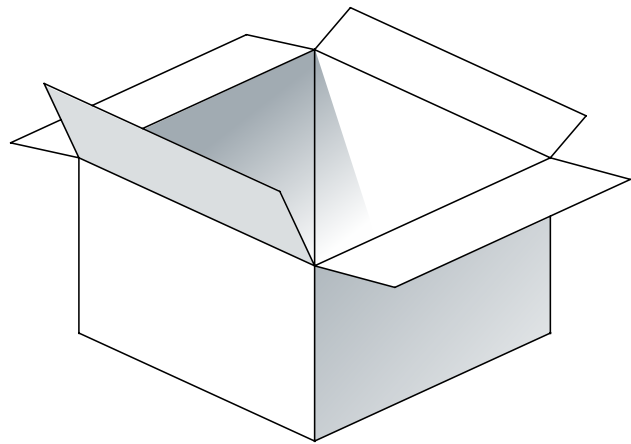
Recommended torque for mounting is 3.2 N·m or 40 Kgf.cm
Maximum torque for mounting 4.9 N·m or 50 Kgf.cm

6. Packaging

1pc MA.530 per PE Bag
 Bag Dimensions - 300*170mm
 Weight - 0.06Kg



100 bags per carton
 Carton Dimensions - 310*380*320mm
 Weight - 7.2Kg



Pallet Dimensions 1100*1100mm
 36 Cartons per Pallet
 9 Cartons per layer, 4 Layers
 3600 Pieces per Pallet

