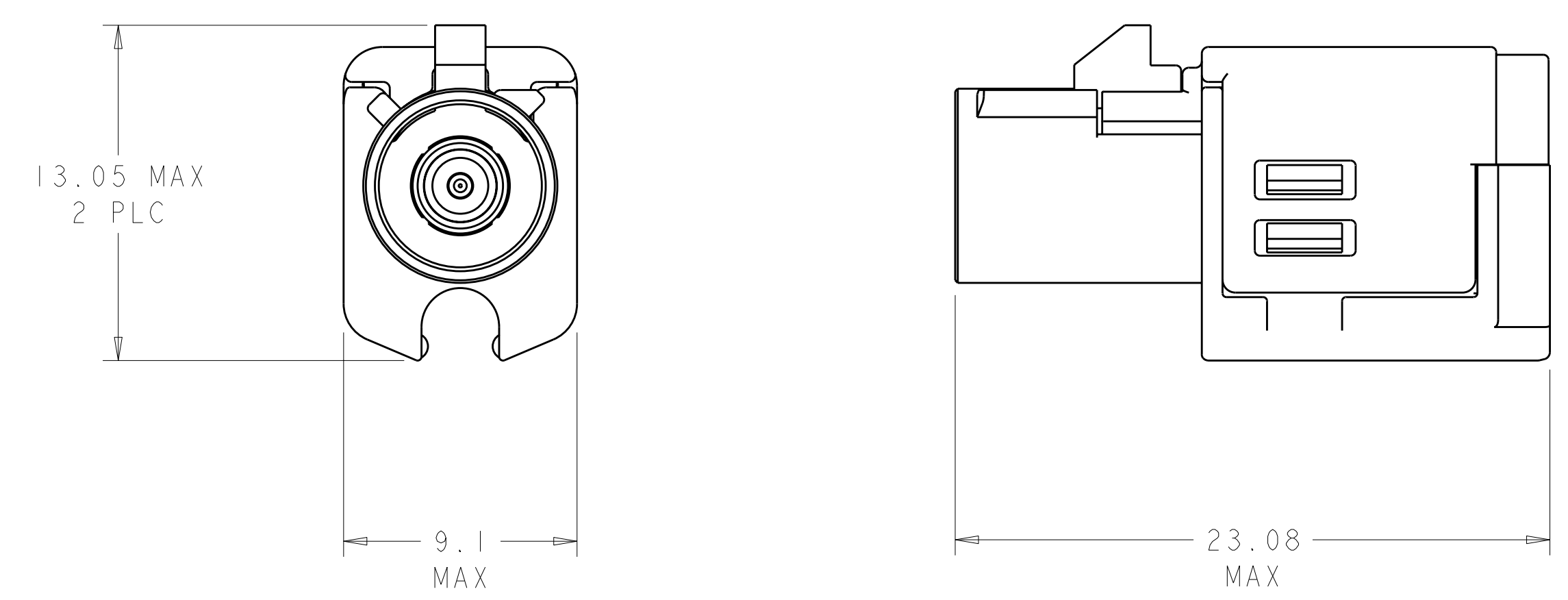
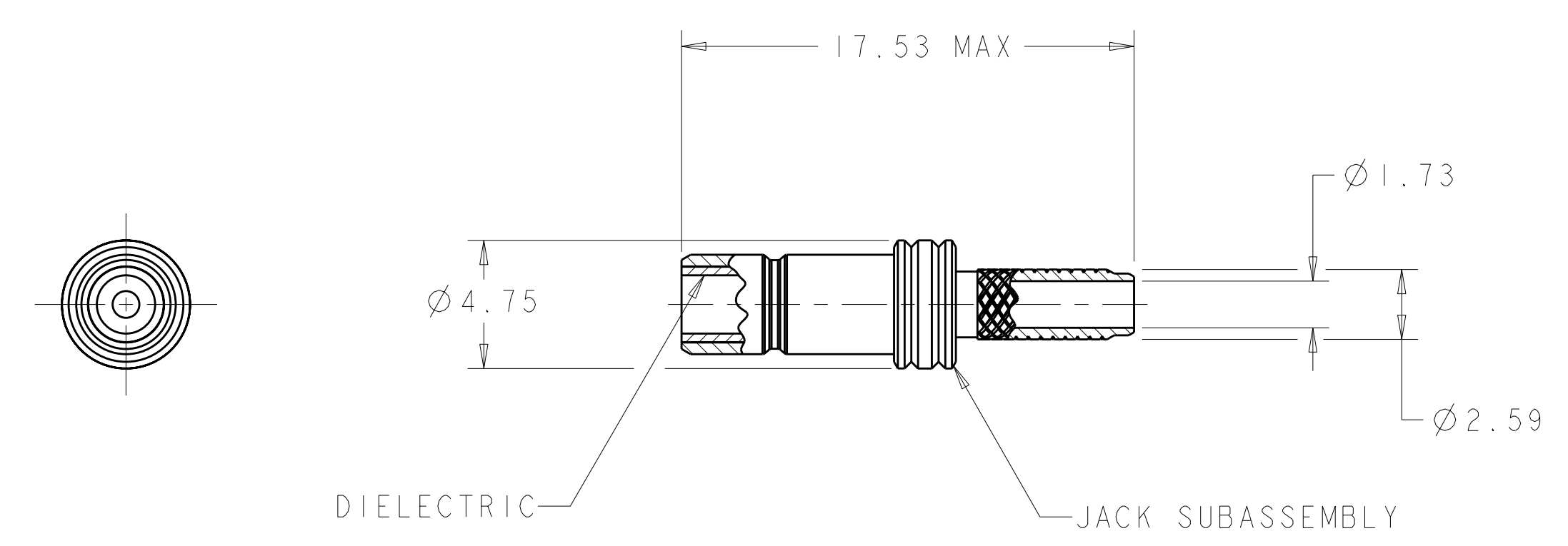
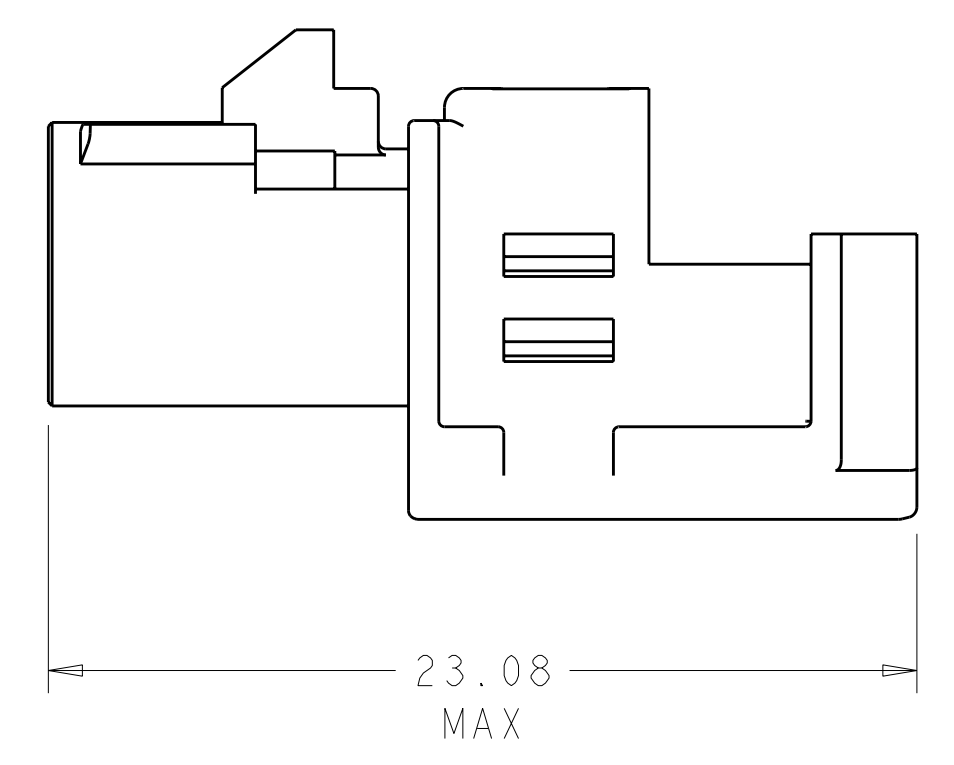
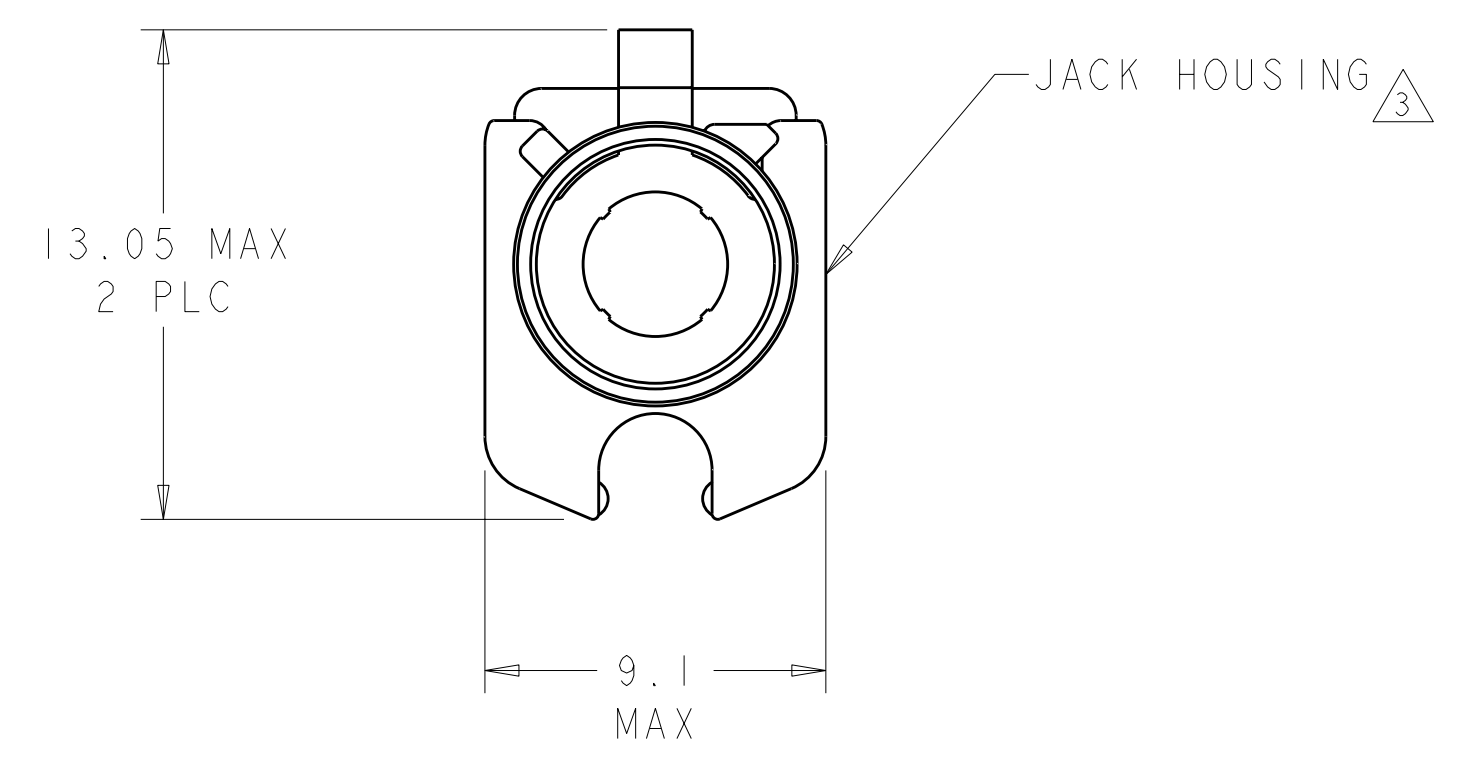
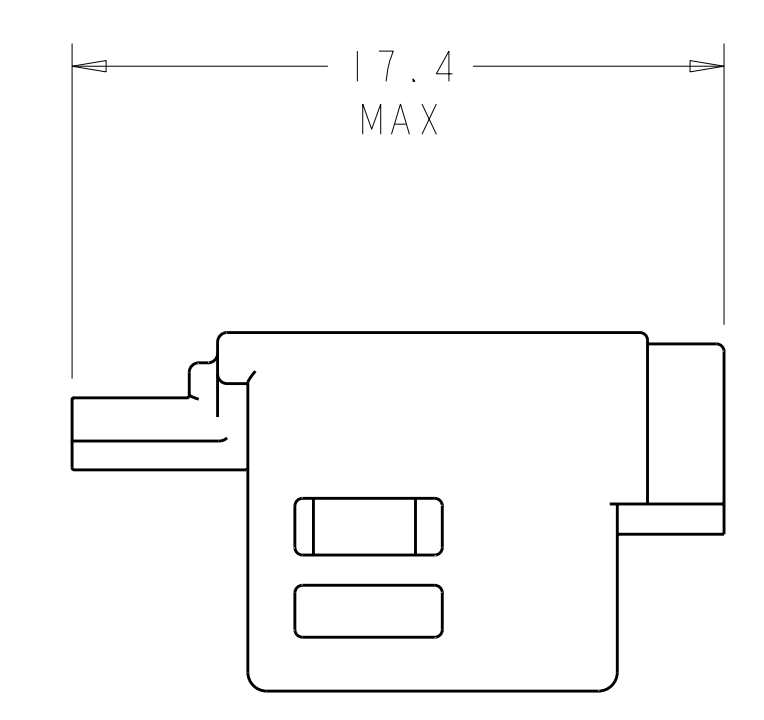
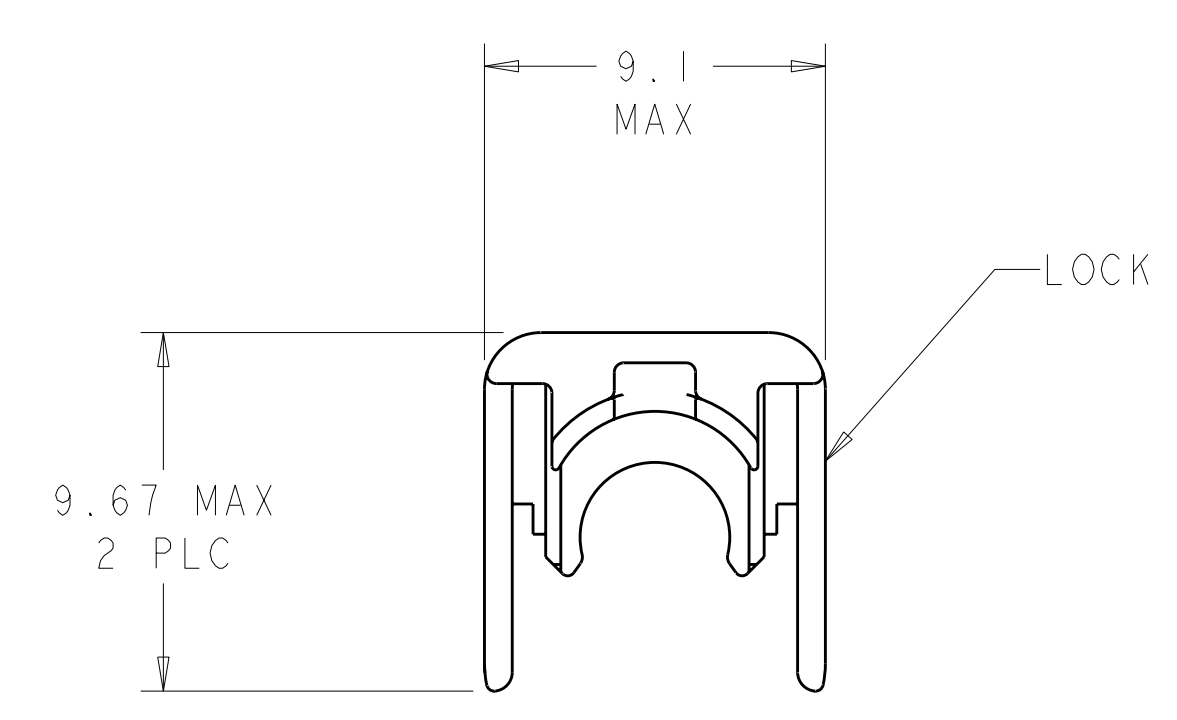


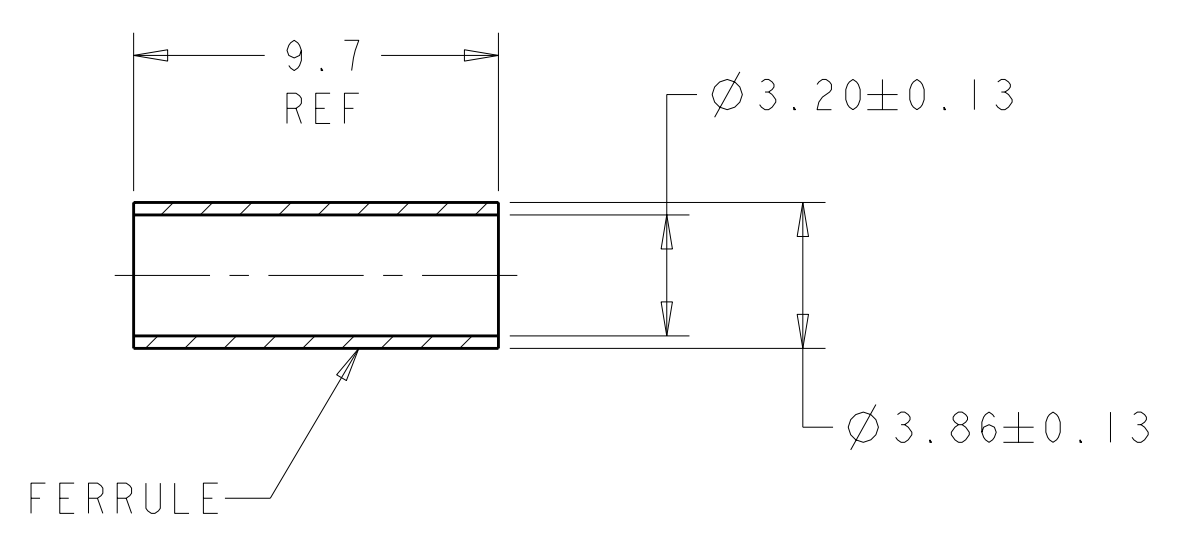
LOC	DIST	REV	DATE	BY	APPD
FX	00	G1	28 JUN 2010	DLD	LLV
		H	09 MAR 2011	DLD	LLV



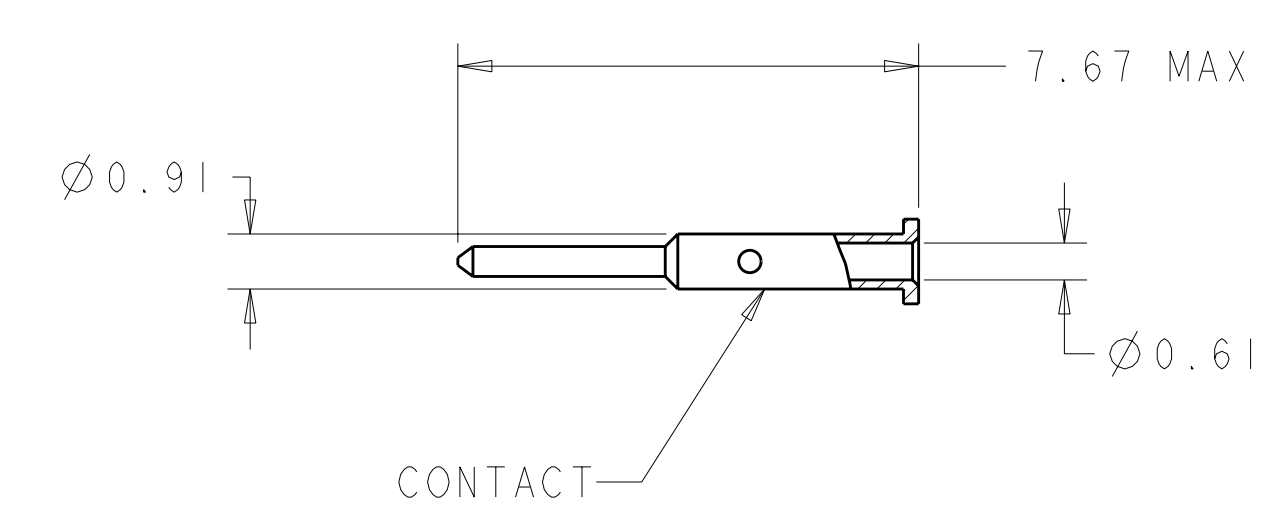
ASSEMBLED VIEWS



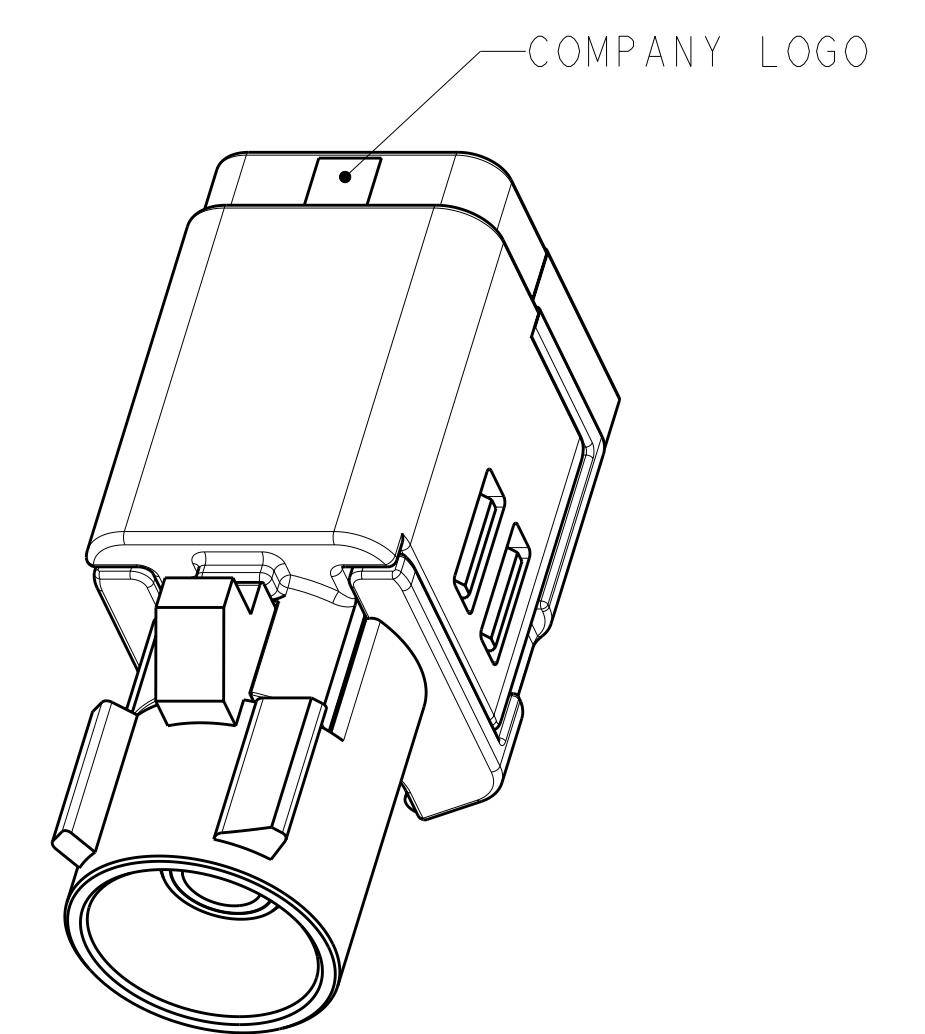
SHELL



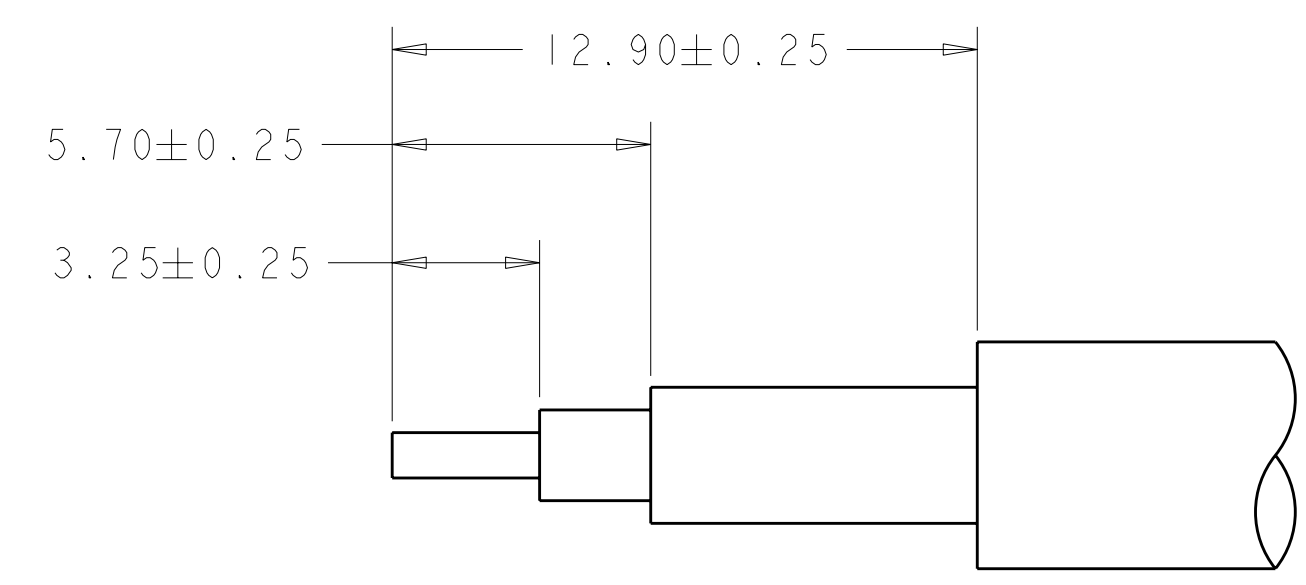
FERRULE



CONTACT



- △ HOUSING: POLYESTER PBT, COLOR: SEE TABLE.  
 LOCK: POLYESTER PBT, NATURAL.  
 JACK SUBASSEMBLY:  
 SHELL - ZINC.  
 DIELECTRIC - POLYTETRAFLUORETHYLENE.  
 CONTACT: BRASS.  
 FERRULE: COPPER.
- △ JACK SUBASSEMBLY:  
 SHELL - 2.0µm MIN TIN-LEAD OVER 1.52µm MIN NICKEL OVER COPPER FLASH.  
 CONTACT: 0.89µm MIN GOLD OVER 1.27µm MIN NICKEL.  
 FERRULE: 2.54µm MIN TIN-LEAD.
- △ MOTOR VEHICLES - RADIO FREQUENCY (MVRF) INTERFACE DIMENSIONS AND ELECTRICAL REQUIREMENTS.
- 4. CRIMP CONTACT USING MIL HAND TOOL M22520/2-01 WITH DANIELS POSITIONER K1041, SET AT POSITION NUMBER 4 PER TYCO ELECTRONICS SPECIFICATION 408-8426.
- 5. CRIMP CABLE BRAID USING MIL HAND TOOL M22520/5-01 WITH DANIELS DIE SET Y1637 (.128 INCH HEX) OR USE AMP PRO-CRIMPER II WITH DIE SET NUMBER 58483-1 PER TYCO ELECTRONICS SPECIFICATION 408-8426.
- 6. JACK SUBASSEMBLY WILL ACCEPT RG-174 AND RG-316 WIRE.



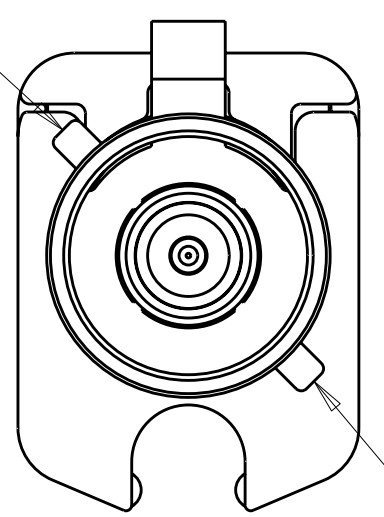
RECOMMENDED STRIP LENGTH DIMENSIONS  
 SCALE: NTS

PER DETAIL C		C	SIGNAL BLUE	638831-3
KEYING	CODING	HOUSING COLOR	PART NUMBER	
DWN D.J. HARDY 13 JUL 2000		Tyco Electronics Harrisburg, PA 17105-3608		
CHK J.W. HALL 14 JUL 2000		NAME JACK KIT, UNASSEMBLED, FAKRA, 50 OHM, RG-174, WITH CABLE CLIP, SMB		
APVD J.W. HALL 14 JUL 2000		PRODUCT SPEC 108-2054		
DIMENSIONS: mm		APPLICATION SPEC		
TOLERANCES UNLESS OTHERWISE SPECIFIED:		SIZE CAGE CODE DRAWING NO. RESTRICTED TO		
9 PLC ±		WEIGHT -		
1 PLC ±		A11 00779 C=638831		
2 PLC ±0.10		SCALE 8:1 SHEET 1 OF 2 REV H		
3 PLC ±		CUSTOMER DRAWING		
4 PLC ±				
ANGLES ±				
FINISH				

THIS DRAWING IS UNPUBLISHED. RELEASED FOR PUBLICATION 20  
 © COPYRIGHT 20 BY TYCO ELECTRONICS CORPORATION. ALL RIGHTS RESERVED.

LOC	DIST	REVISIONS					
		P	LTG	DESCRIPTION	DATE	DWN	APVD
FX	00	-	-	SEE SHEET 1	-	-	-

CODING RIB A



CODING RIB C

DETAIL C  
SCALE 5:1

<small>THIS DRAWING IS UNPUBLISHED. RELEASED FOR PUBLICATION 20          © COPYRIGHT 20 BY TYCO ELECTRONICS CORPORATION. ALL RIGHTS RESERVED.</small>		DWN D. J. HARDY 13JUL2000 CHK J. W. HALL 14JUL2000 APVD J. W. HALL 14JUL2000	Tyco Electronics Harrisburg, PA 17105-3608
DIMENSIONS: mm		TOLERANCES UNLESS OTHERWISE SPECIFIED: 9 PLC ± 1 PLC ± 2 PLC ±0.10 3 PLC ± 4 PLC ± ANGLES ±	NAME PRODUCT SPEC APPLICATION SPEC SIZE CAGE CODE DRAWING NO RESTRICTED TO
MATERIAL - FINISH -		WEIGHT - CUSTOMER DRAWING	A 00779 C-638831 SCALE 8:1 SHEET 2 OF 2 REV H