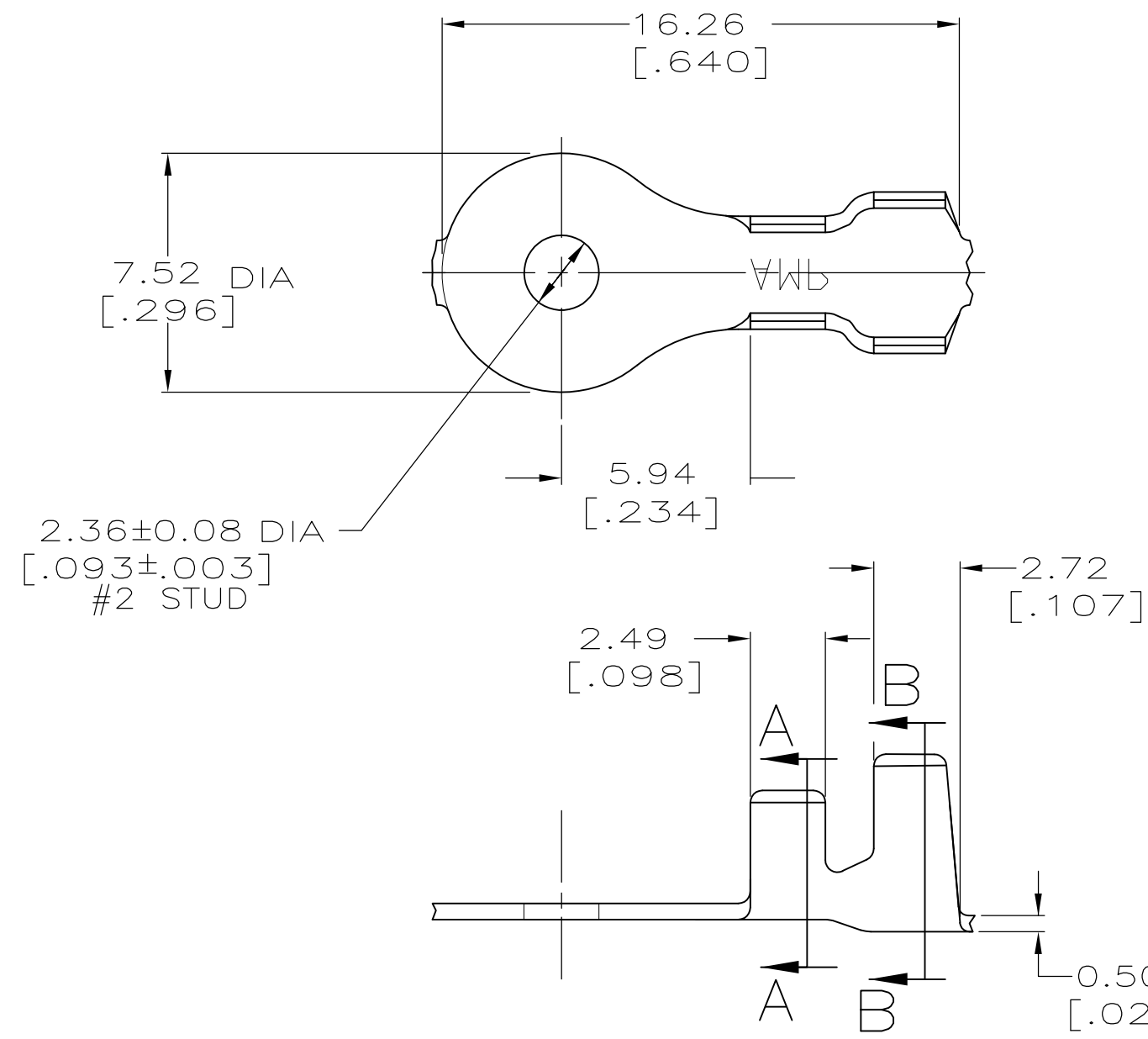
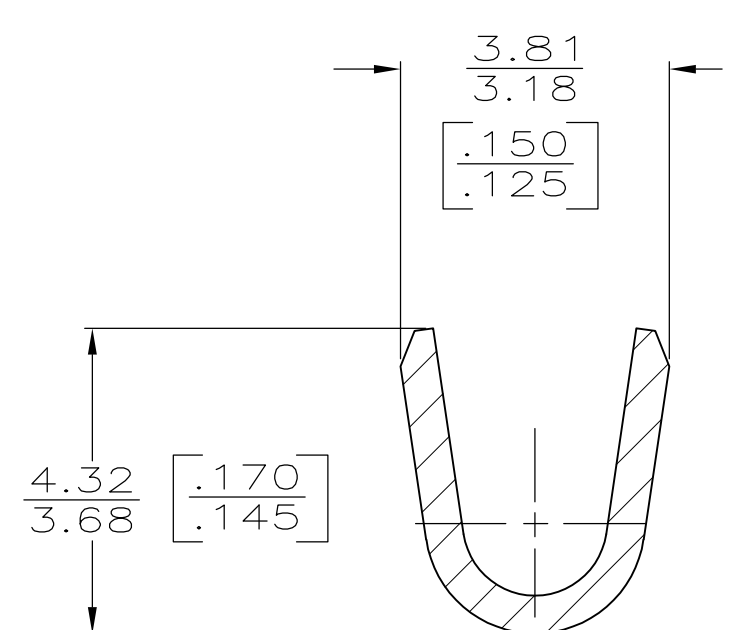


THIS DRAWING IS UNPUBLISHED. RELEASED FOR PUBLICATION
 © COPYRIGHT BY TYCO ELECTRONICS CORPORATION. ALL INTERNATIONAL RIGHTS RESERVED.

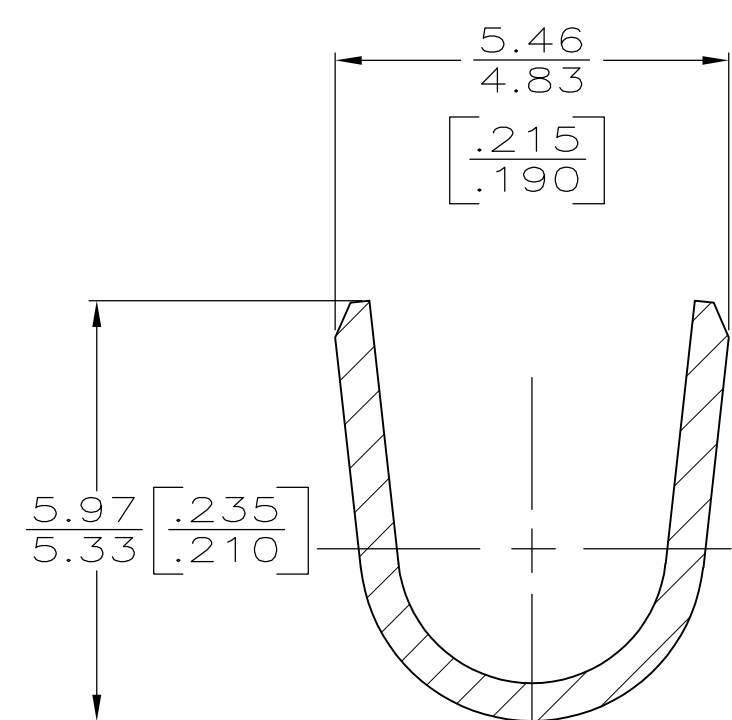
LOC	DIST	REVISIONS					
AF	50	P	LTR	DESCRIPTION	DATE	DWN	APVD
			B5	REVISED PER ECR-09-011282	20MAY09	HMR	DD



1 CONTINUOUS STRIP ON REEL.
 2 TIN PLATING



SECTION A-A
SCALE 10:1



SECTION B-B
SCALE 10:1

OBSOLETE	2	3.05-4.32 DIA [.120-.170]	0.8-2.0mm [18-14] AWG OR 2-0.8mm ² [18] AWG	63750-2
				63750-1
	FINISH	INSULATION RANGE	WIRE RANGE	PART NUMBER

THIS DRAWING IS A CONTROLLED DOCUMENT.		DWN M.S. FEHER 24OCT2006	Tyco Electronics Corporation Harrisburg, PA 17105-3608	
DIMENSIONS: INCHES	TOLERANCES UNLESS OTHERWISE SPECIFIED:	CHK D.F. DECKER 24OCT2006	NAME	
		APVD D.F. DECKER 24OCT2006	RING TONGUE	
	0 PLC ± - 1 PLC ± - 2 PLC ± 0.25 [.010] 3 PLC ± - 4 PLC ± - ANGLES ± -	PRODUCT SPEC	SIZE	CAGE CODE
MATERIAL	FINISH	APPLICATION SPEC	DRAWING NO	
082 BRASS	SEE TABLE	WEIGHT	A300779 C-63750	
CUSTOMER DRAWING			RESTRICTED TO	
			SCALE 5:1	SHEET 1 OF 1
			REV B5	