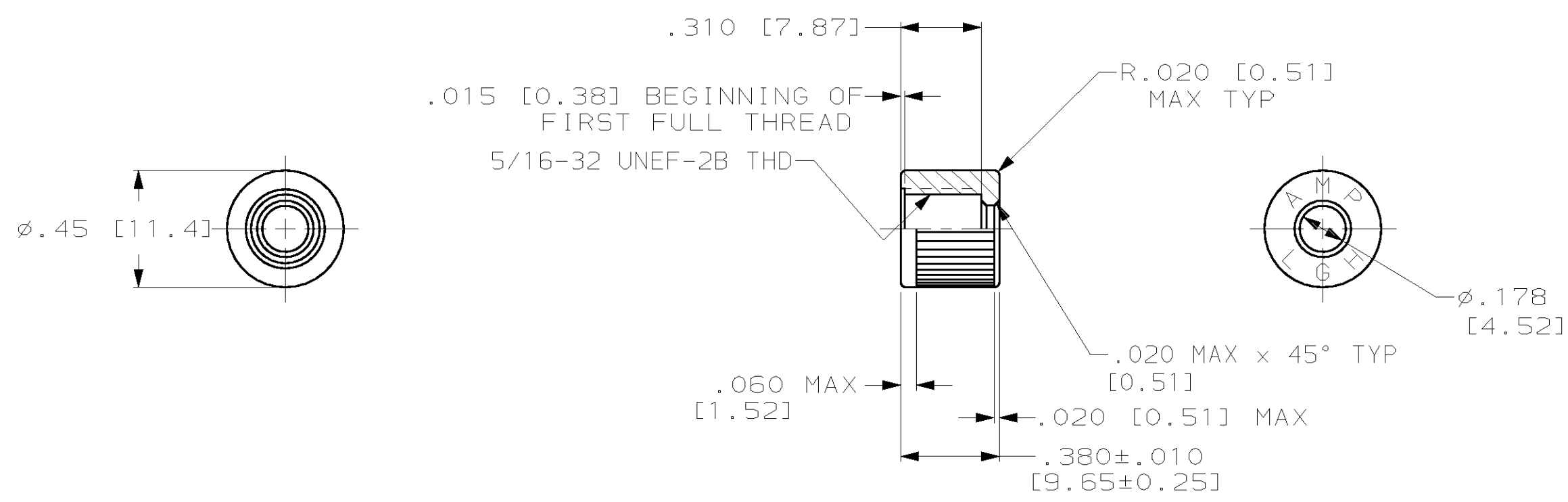


THIS DRAWING IS UNPUBLISHED. RELEASED FOR PUBLICATION ,19 .
 © COPYRIGHT 19 BY AMP INCORPORATED. ALL RIGHTS RESERVED.

PROD CODE	LOC	DIST	REVISIONS			
P	LTR	DESCRIPTION	DATE	DWN	APVD	
4090	DF	SO	A			
			REV PER 0G3D-0272-02	12-02	JR DE	



RED	POLYESTER MLDG. CMPD.	846976-5
GREEN	POLYESTER MLDG. CMPD.	846976-1
COLOR	MATERIAL	PART NO.

THIS DRAWING IS A CONTROLLED DOCUMENT FOR AMP INCORPORATED. IT IS SUBJECT TO CHANGE AND THE CONTROLLING ENGINEERING ORGANIZATION SHOULD BE CONTACTED FOR THE LATEST REVISION.		CHK C.C. THOMAS 9-14-94	AMP AMP Incorporated Harrisburg, PA 17105-3608
DIMENSIONS: INCHES [mm]		APVD D. WEYANDT 9-14-94	
TOLERANCES UNLESS OTHERWISE SPECIFIED: 0 PLC ± - 1 PLC ± - 2 PLC ± .01 [0.3] 3 PLC ± .005 [0.13] 4 PLC ± - ANGLES ± -		PRODUCT SPEC -	NAME CAP, LGH-1/2 & 1/2L
MATERIAL -		APPLICATION SPEC -	
FINISH -		WEIGHT -	SIZE A3
CUSTOMER DRAWING		SCALE 2:1	CAGE CODE 00779
		DRAWING NO C-846976	SHEET 1 OF 1
		REV A	