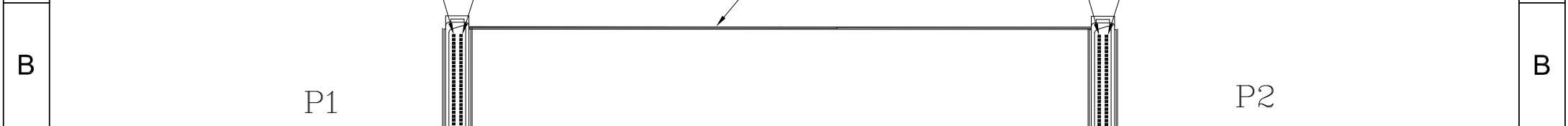


1 2 3 4 5 6 7




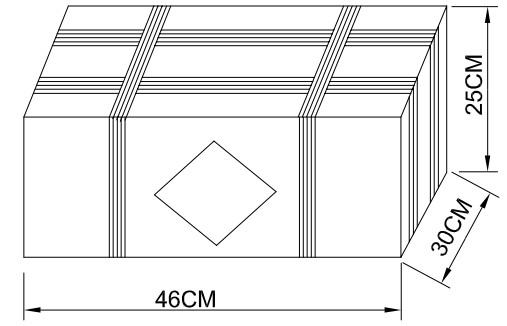
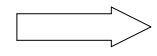
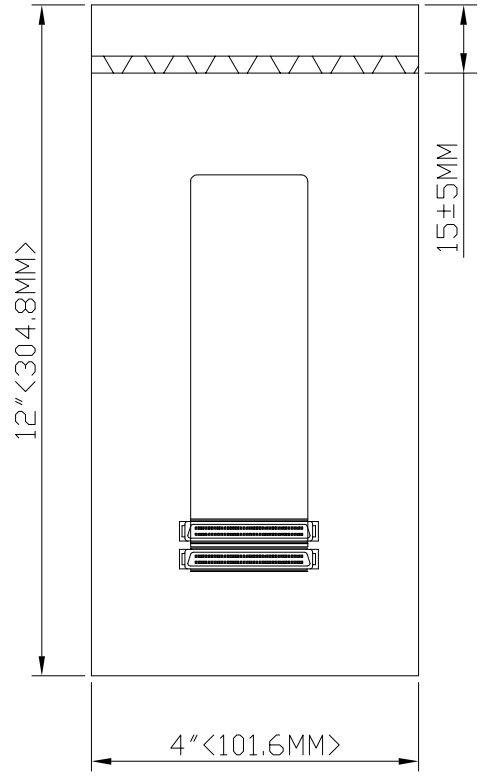
2	FMD-68PIN-M<BLACK><W/D-SR>	2	PCS
1	Flat cable,68C,GRAY,PITCH:0.635<30AWG,UL2678><STRAND>	0,45	M
NO	DESCRIPTION	QTY	UNIT

RoHS compliant  
Unit: mm

Scale	Free					Date	Name	Customer-No.	
TOLERANCE						Drawn	19.01.2017	Amy	ASSMANN WSW-No. <b>AK-Y2301</b>
						Approved	19.01.2017	Amy	
DIM	TOL					<b>ASSMANN</b> WSW components		Drawing-No.	ASS 7837 CA rev00
		©	Drawn	19.01.2017	Amy			Replace	
Angle	TOL	Id.	Modification	Date	Name				

1 2 3 4 5 6 7


P1	PIN ASSIGNMENT		P2
1	_____	1	
2	_____	2	
3	_____	3	
			
66	_____	66	
67	_____	67	
68	_____	68	



Q'TY: 100 PCS  
 CARTON: 46\*30\*25CM

PE BAG: 4"\*12"\*0.06MM  
 1PCS/PE BAG

**RoHS compliant**  
 Unit: mm

Scale	Free				Date	Name	Customer-No.	
TOLERANCE					Drawn	19.01.2017	Amy	ASSMANN WSW-No. <b>AK-Y2301</b>
					Approved	19.01.2017	Amy	
DIM	TOL						Drawing-No. <b>ASS 7837 CA</b>	
							Replace	
Angle	TOL	Id.	Modification	Date	Name	Sheet 2 / 2		

1

2

3

4

5

6

7