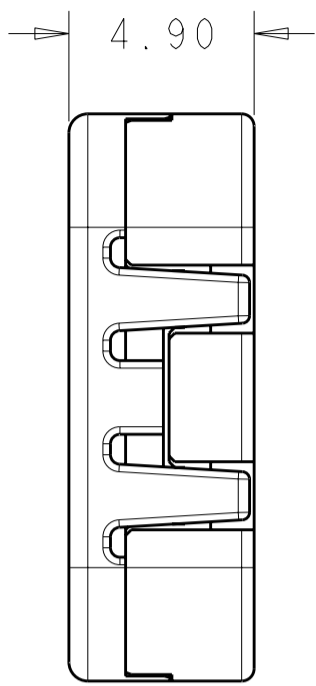
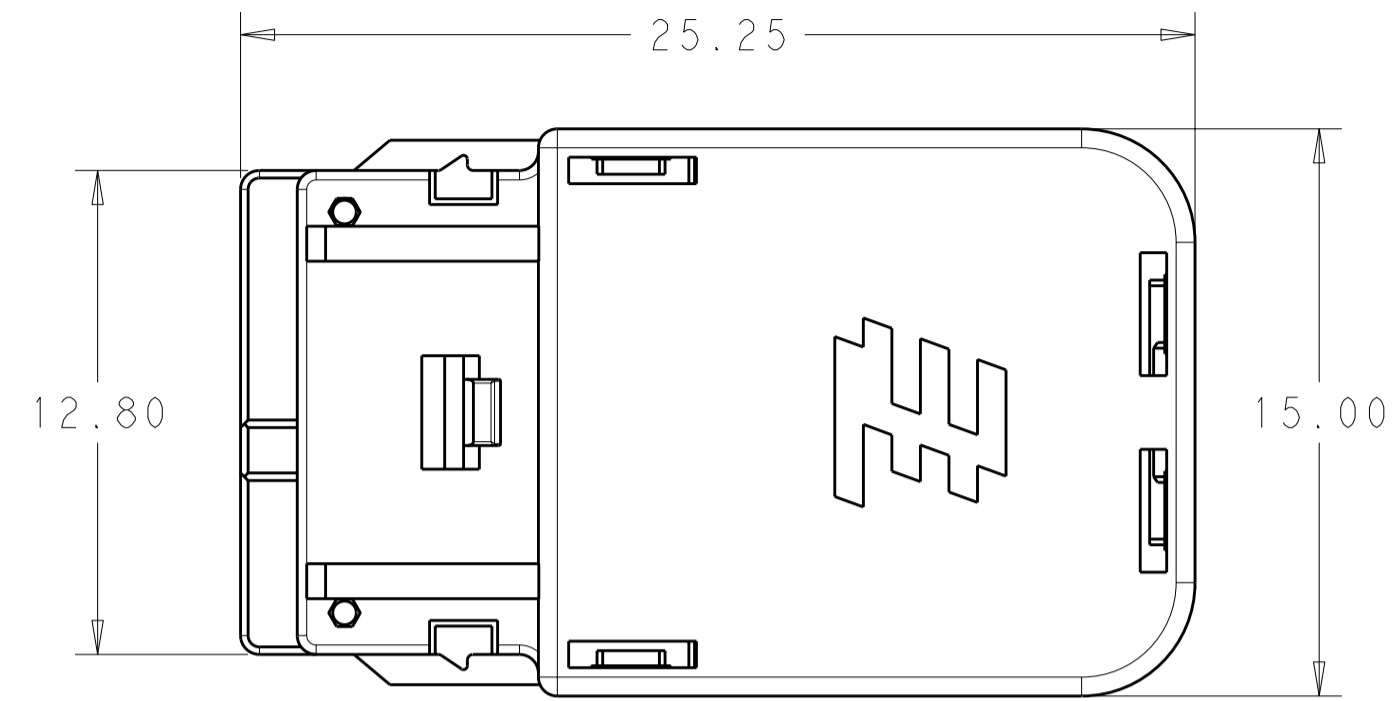
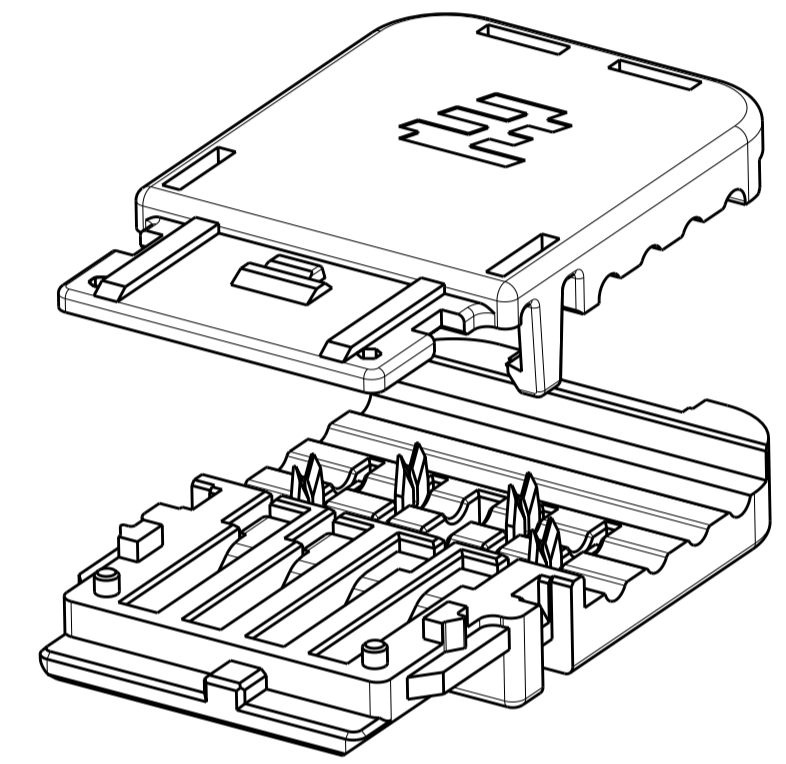


THIS DRAWING IS UNPUBLISHED. RELEASED FOR PUBLICATION 20
 © COPYRIGHT 20 BY TYCO ELECTRONICS CORPORATION. ALL INTERNATIONAL RIGHTS RESERVED.

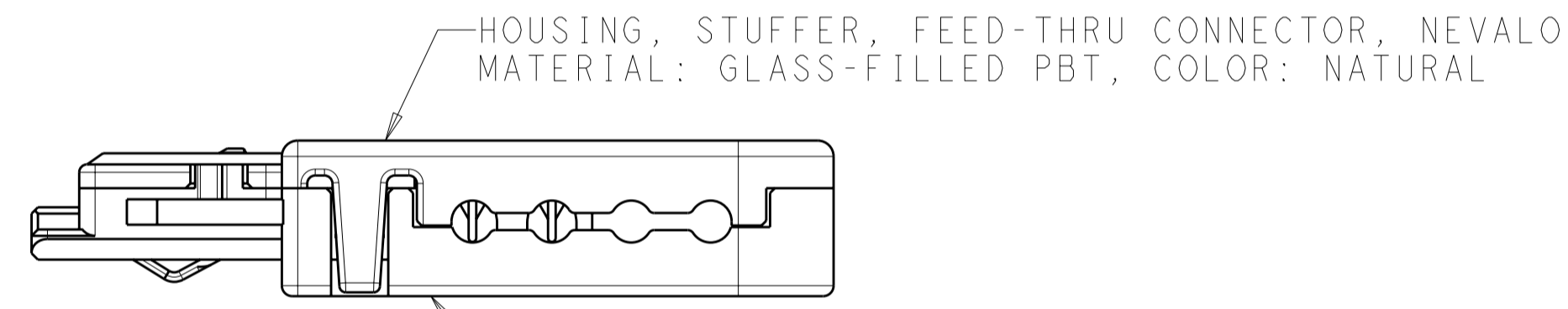
REVISONS		DATE	DWN	APVD
P	LTR	DESCRIPTION		
1		DRAWN	06JUL2010	OMP BC
2		ADDED MARKING AND SHEET 2	22SEP2010	RB BC
3		CORRECTED MARKING COLORS AND LOCATION	08NOV2010	RB BC
4		REVISED CONNECTOR MARKING STRIPE LENGTH	28FEB2011	RB BC



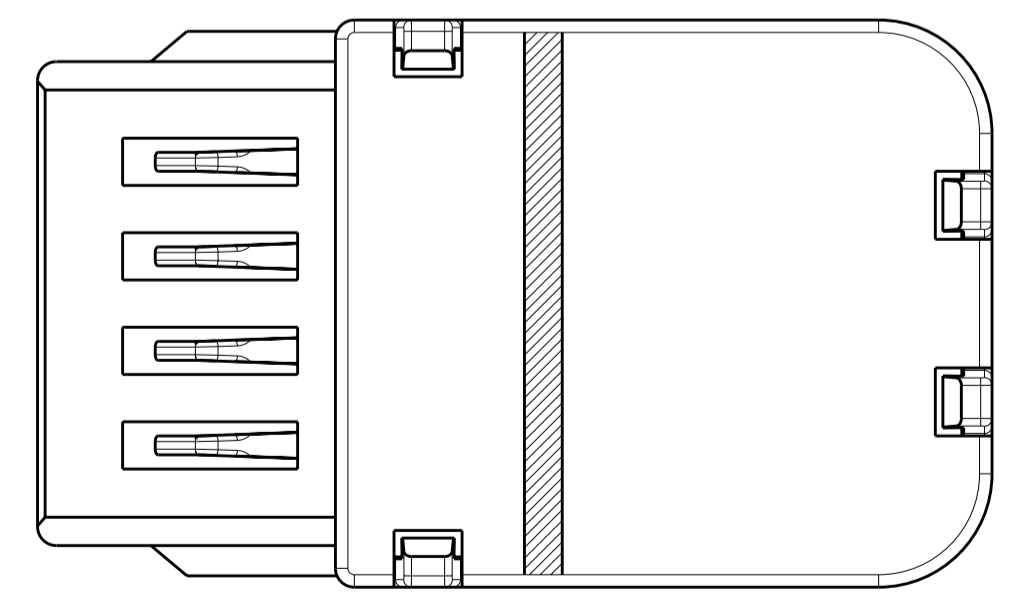
1. PARTS SHIPPED UNASSEMBLED
2. MUST COMPLY WITH DIRECTIVE 2002/95/EC (ROHS)
3. PACKAGING (TBD)
4. THIS PRODUCT HAS NOT YET COMPLETED VALIDATION TESTING



SCALE 4:1



SUB-ASSEMBLY, BASE, FEED-THRU CONNECTOR, NEVALO
 MATERIALS: HOUSING, BASE: GLASS-FILLED PBT, COLOR:NATURAL
 CONTACTS: COPPER ALLOY
 FINISH: CONTACTS: TIN PLATE OVER NICKEL



2154009-1 SHOWN

TYCO ELECTRONICS
 CONFIDENTIAL
 AND PROPRIETARY

PROPOSED DESIGN
 NOT PRODUCTION TOOLED

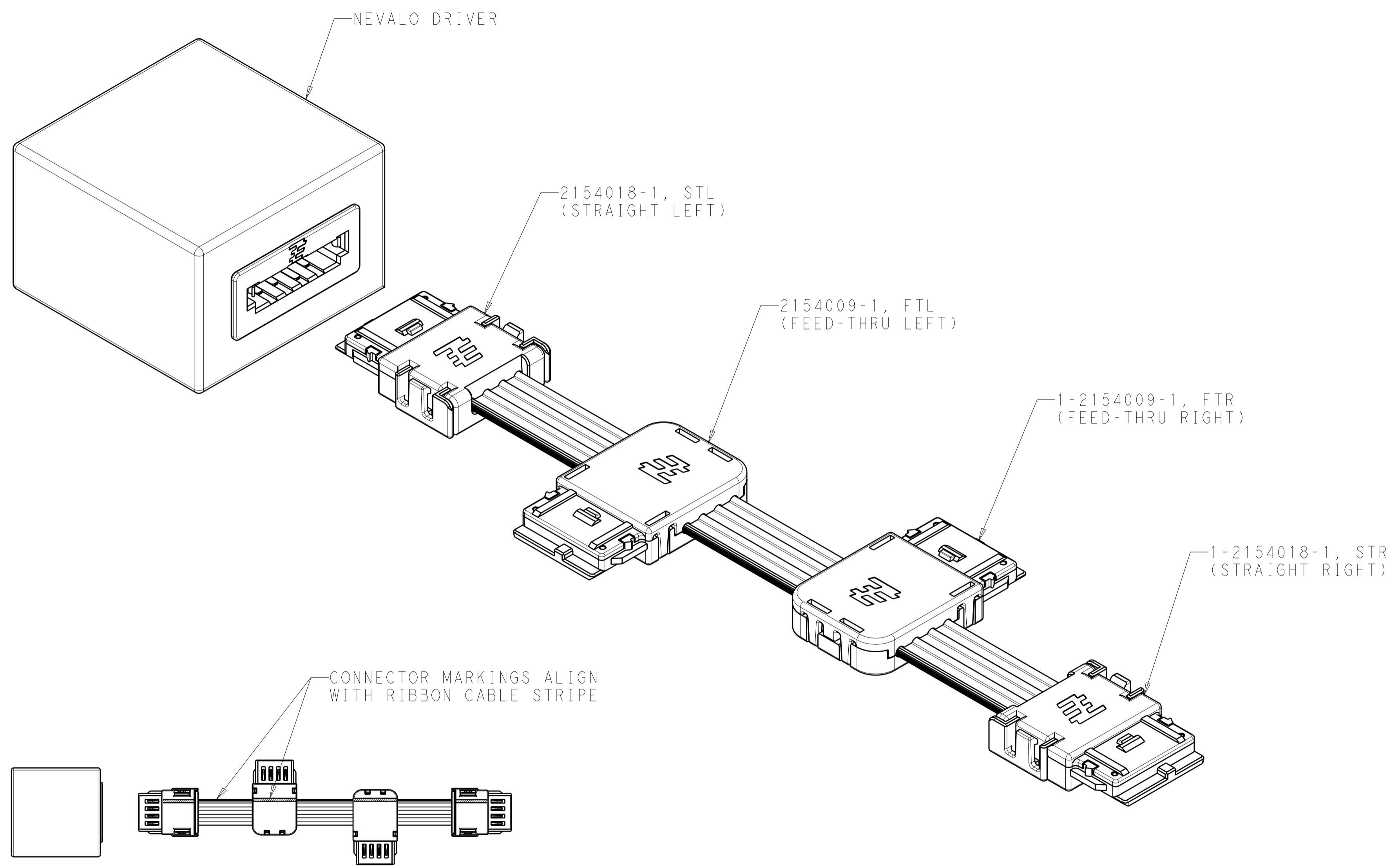
DESIGN IS SUBJECT TO
 CHANGE WITHOUT NOTICE

RIGHT	BLUE	1-2154009-6
RIGHT	GREEN	1-2154009-4
RIGHT	RED	1-2154009-3
RIGHT	ORANGE	1-2154009-1
LEFT	BLUE	2154009-6
LEFT	GREEN	2154009-4
LEFT	RED	2154009-3
LEFT	ORANGE	2154009-1
ORIENTATION	COLOR	PART NO.

<small>THIS DRAWING IS A CONTROLLED DOCUMENT FOR TYCO ELECTRONICS CORPORATION IT IS SUBJECT TO CHANGE AND THE CONTROLLING ENGINEERING ORGANIZATION SHOULD BE CONTACTED FOR THE LATEST REVISION.</small>		DWN OMPRAKASH 01JUL2010 CHK B. CHANFY 06JUL2010 APVD -		Tyco Electronics Corporation Harrisburg, PA 17105-3608
DIMENSIONS: mm	TOLERANCES UNLESS OTHERWISE SPECIFIED: 0 PLC ± 1 PLC ± 2 PLC ±0.20 3 PLC ± 4 PLC ± ANGLES ± FINISH	PRODUCT SPEC 108-2442 APPLICATION SPEC 114-13290 WEIGHT -	PRELIMINARY ASSEMBLY, FEED-THRU CONNECTOR, NEVALO	
MATERIAL -		CUSTOMER DRAWING	SIZE A2 CAGE CODE 00779 DRAWING NO. C-2154009	RESTRICTED TO -
SCALE 5:1			SHEET 1 OF 2	REV 4

THIS DRAWING IS UNPUBLISHED. RELEASED FOR PUBLICATION 20
 © COPYRIGHT 20 BY TYCO ELECTRONICS CORPORATION. ALL INTERNATIONAL RIGHTS RESERVED.

LOC		DIST		REVISIONS				
P	LTR	DESCRIPTION	DATE	DWN	APVD			
-	-	SEE SHEET 1	-	-	-			



(UNDERSIDE VIEW)
SCALE 1:1

<small>THIS DRAWING IS A CONTROLLED DOCUMENT FOR TYCO ELECTRONICS CORPORATION. IT IS SUBJECT TO CHANGE AND THE CONTROLLING ENGINEERING ORGANIZATION SHOULD BE CONTACTED FOR THE LATEST REVISION.</small>		DWN OMPRAKASH 01 JUL 2010 CHK B. CHANEY 06 JUL 2010 APVD -	Tyco Electronics Tyco Electronics Corporation Harrisburg, PA 17105-3608
DIMENSIONS: mm 	TOLERANCES UNLESS OTHERWISE SPECIFIED: 0 PLC ± 1 PLC ± 2 PLC ±0.20 3 PLC ± 4 PLC ± ANGLES ± FINISH ±	PRODUCT SPEC 108-2442 APPLICATION SPEC 114-13290 WEIGHT - CUSTOMER DRAWING	NAME ASSEMBLY, FEED-THRU CONNECTOR, NEVALO SIZE A2 CAGE CODE 00779 DRAWING NO. C-2154009 RESTRICTED TO - SCALE 5:1 SHEET 2 OF 2 REV 4