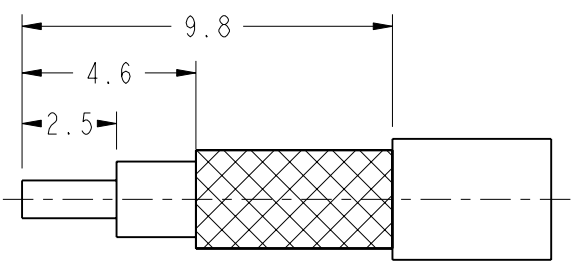


NOTES:

1. MATERIALS AND FINISHES(PLATING THICKNESS IN MICRO-INCHES):  
 BODY - BERYLLIUM COPPER, WHITE BRONZE PLATING (COPPER-TIN-ZINC)  
 CONTACT - BERYLLIUM COPPER, GOLD PLATING  
 INSULATOR - PTFE, NATURAL  
 FERRULE - COPPER,WHITE BRONZE PLATING (COPPER-TIN-ZINC)
2. ELECTRICAL:  
 A. IMPEDANCE: 50 OHM  
 B. FREQUENCY RANGE: DC 0- 6 GHz  
 C. VSWR(RETURN LOSS): 1.3 MAX.  
 D. DIELECTRIC WITHSTANDING VOLTAGE: 1000 VRMS, MIN.
3. MECHANICAL:  
 A. DURABILITY: 500 CYCLES MIN.  
 B. TEMPERATURE RANGE: -40°C TO +155°C
4. CRIMPED FERRULE  
 HEX CRIMP SIZE .128"
5. CRIMPED CONTACT PIN  
 SQ CRIMP SIZE 0.7(mm)  
 OR SOLDER

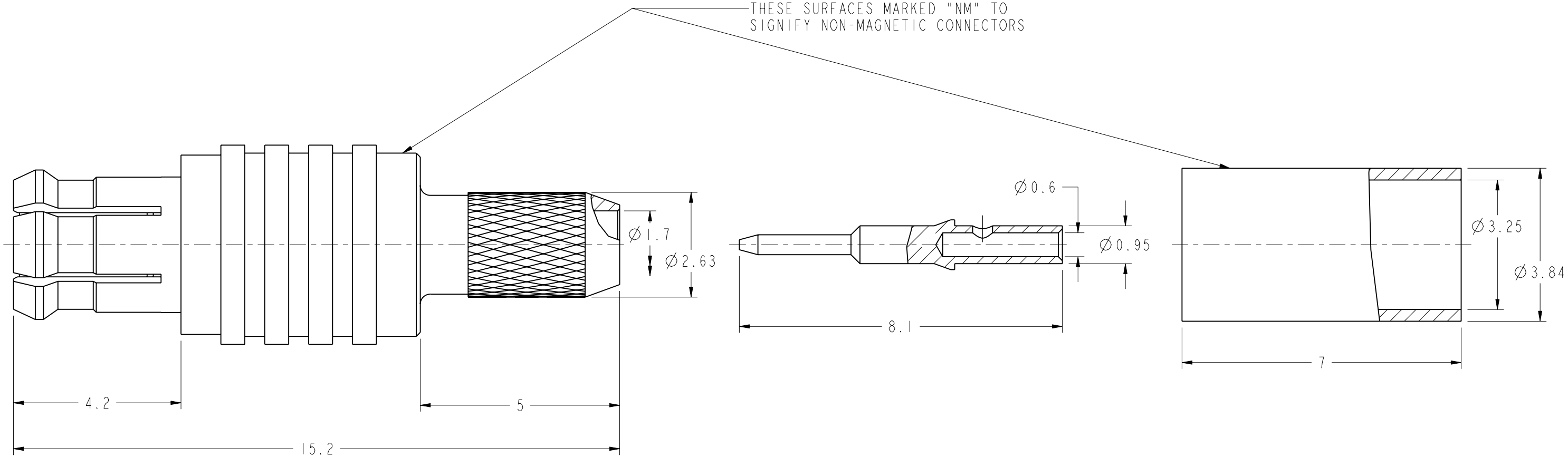
THIRD ANGLE PROJ.

REVISIONS				
REV	DESCRIPTION	DATE	ECO	APPR
A	RELEASE TO MFG.	8/8/06	46108	CISSY
B	SEE SHEET 1	01-Jul-10	48178	SH



RECOMMENDED CABLE STRIPPING DIM'S

THESE SURFACES MARKED "NM" TO SIGNIFY NON-MAGNETIC CONNECTORS



**CUSTOMER OUTLINE DRAWING**  
 ALL OTHER SHEETS ARE FOR INTERNAL USE ONLY

UNLESS OTHERWISE SPECIFIED, DIMENSIONS ARE IN METRIC AND TOLERANCES ARE: <0.5mm ±0.05mm    0.5 - 6mm ±0.1mm    6 - 30mm ±0.2mm    30 - 120mm ±0.3mm    ANGLES ±1°  NOTICE - These drawings, specifications, or other data (1) are, and remain the property of Amphenol corp. (2) must be returned upon request; and (3) are confidential and not to be disclosed to any person other than those to whom they are given by Amphenol Corp. the furnishing of these drawings, specifications, or other data by Amphenol Corp., or to any other person to anyone for any purpose is not to be regarded by implication or otherwise in any manner licensing, granting rights to permitting such holder or any other sperson to manufacture, use or sell any product, process or design, patented or otherwise, that may in any way be related to or disclosed by said drawings, specifications, or other data.	MATERIAL	DRAWN S.LI	DATE 29-Jun-10	TITLE MCX CRIMP PLUG NON MAGNETIC (FOR RG-174/U 188A/U, 316/U)		<b>Amphenol RF</b> Danbury CT USA, Tainan, Taiwan, Shenzhen, China www.amphenolrf.com	
	REFERENCE AND CONFIGURATION LEVEL:	ENGINEER G.WANG	DATE 08-Aug-06				
	FINISH	APPROVED S.HSIEH	DATE 29-Jun-10	SCALE: 10.0:1.0	SHEET 2 OF 2	ITEM NO. 919-NM101P-51S	
			CAD FILE I:\MCX\919-NM101P-51S		DWG SIZE B	REV B	PART NO.919-NM101P-51S