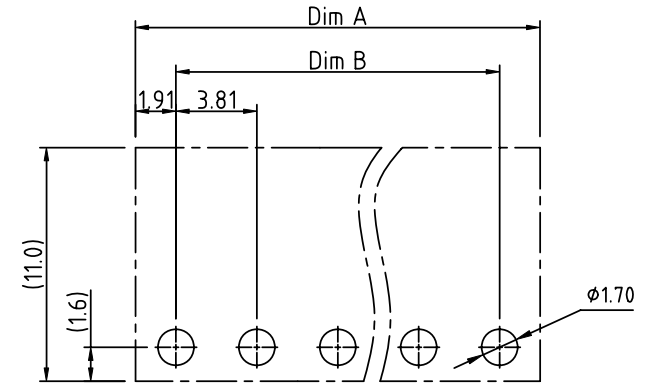
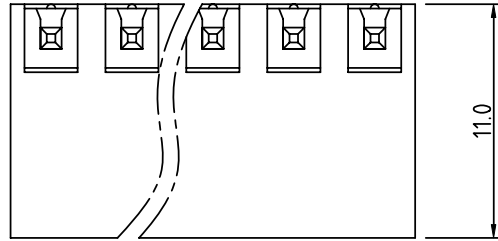
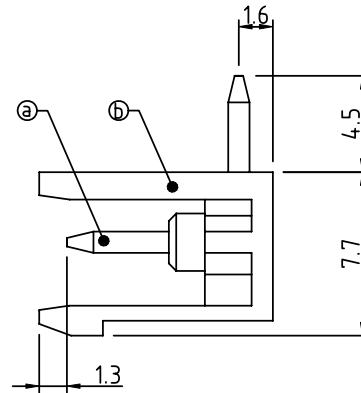
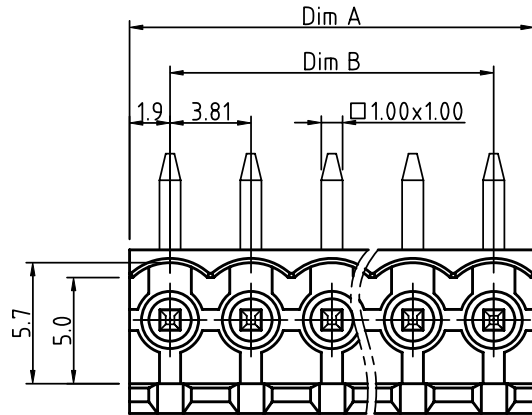


PRODUCT NUMBER	PITCH
VExx30x100J0G	3.81 mm



RECOMMENDED P.C.B LAYOUT
TOP VIEW



Material:

- Item ① Contact pin: Copper, Tin plated
- Item ② Terminal(housing): Thermoplastic (UL94V-0)

Electrical:

- cULus
- Voltage rating: 300V
- Current rating: 8A
- Withstanding Voltage: 1.6 KV
- Operating temperature: -40°C to +115°C
- Soldering temperature: 260°C±5°C/5 Sec
- Safety Approval:

DIMENSION

Dim A	N×3.81
Dim B	(N-1)×3.81

N= NUMBER OF POLES

Poles	Tolerance
2P-5P	±0.15
6P-10P	±0.20
11P-15P	±0.25
16P-20P	±0.30
21P-24P	±0.35

PART NO.: VE xx 30 x 1 00J0 G

- | | | | | | |
|--------------|---|-------|---|-------------------|-----------------|
| Solid block | 0 | Color | 2 | Black (RAL9005) | RoHS compliant |
| No. of poles | 2 | | 3 | Red (RAL3001/D) | (lead<4%) |
| 02 2 poles | 3 | | 4 | Orange(RAL2011/P) | In copper Alloy |
| 03 3 poles | 4 | | 5 | Yellow(RAL1018/A) | |
| ... | 5 | | 6 | Green(RAL6018/T) | |
| 24 24 poles | 6 | | 8 | Blue (RAL5015/A) | |
| | 8 | | 9 | Grey(RAL7035/D) | |
| | 9 | | C | White(RAL1102) | |
| | C | | | Green(RAL6018/U) | |

mat'l. code		surface ASME Y14.5	tolerance ASME Y14.5	projection 	product family TERMINAL BLOCK
ltr	ecn no	dr	date	tolerances unless otherwise specified	title TERMINAL BLOCK
				angles X±0.5	scale PLUGGABLE SOCKET, OPEN RIGHT-ANGLE
				MM	dwg no VExx30x100J0G
				X±1°	sheet 1 of 1 size A4
				X.X±0.3	type CUSTOMER Drawing
				X.XX±0.1	
dr	EVIN ZHONG	042214			
enr	EVIN ZHONG	042214			
chr	HANKE FENG	042214			
appd	SHI JUN	042214			
sheet index	revision sheet	A	1		