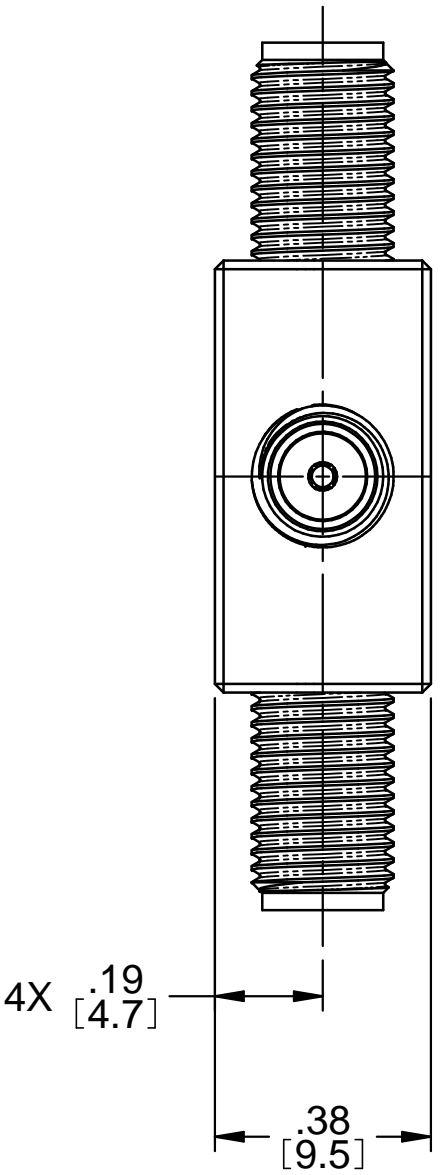
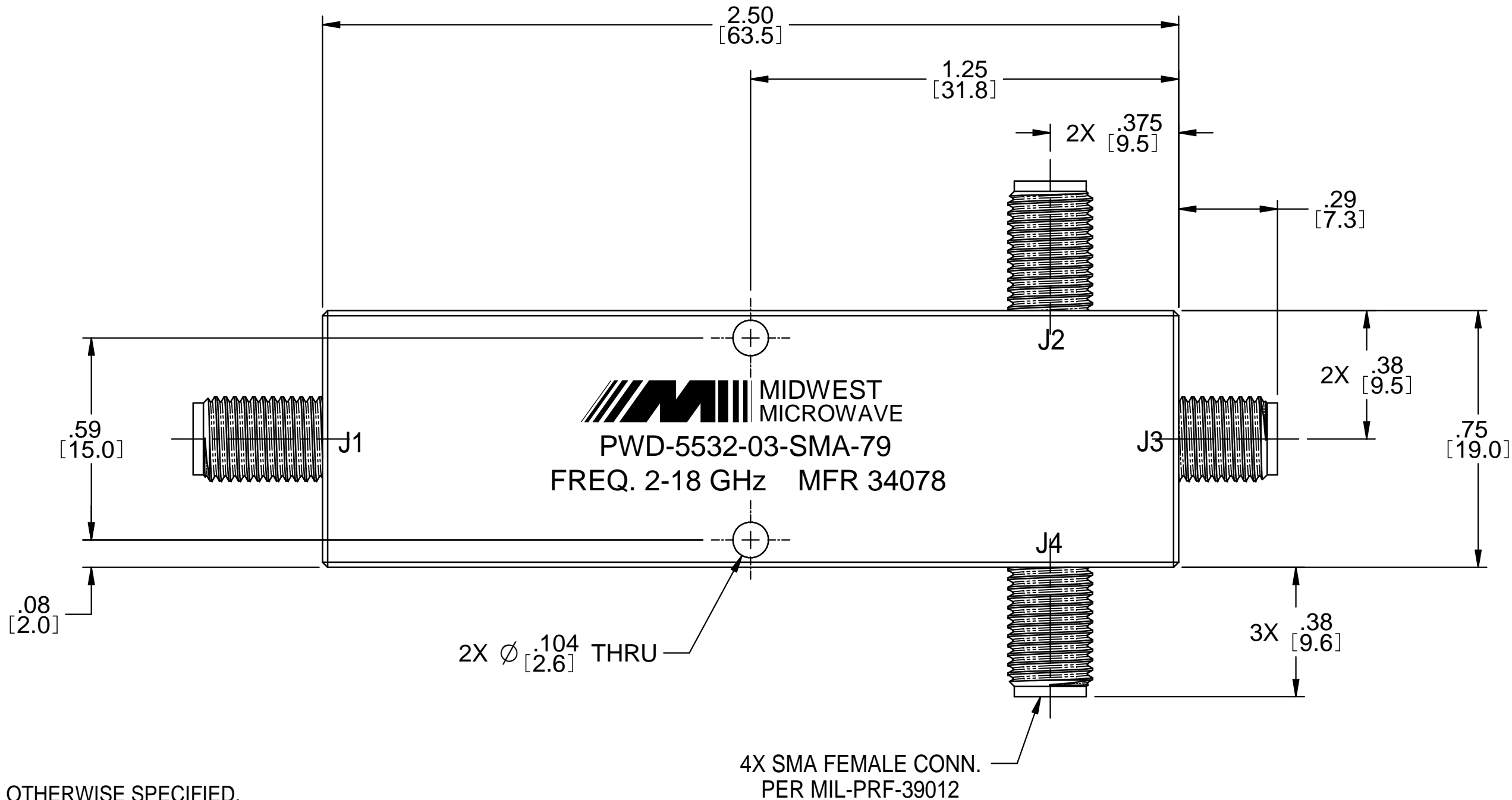
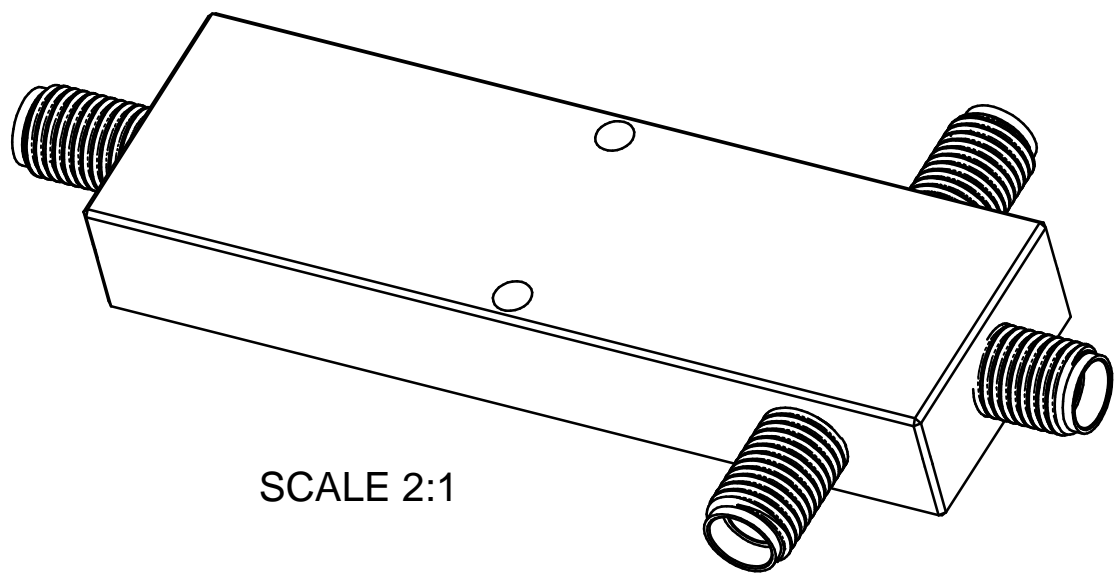


ZONE	REV	ECO	DESCRIPTION	APPR.	DATE
	C	18601			10/30/02
	D	23117			12/22/10
	E	24395		JRK	8/13/12



NOTES: UNLESS OTHERWISE SPECIFIED.

1. ELECTRICAL SPECIFICATIONS:
  - 1.1 FREQUENCY RANGE: 2.0 TO 18.0 GHz
  - 1.2 INSERTION LOSS: 1.0 dB MAX.
  - 1.3 ISOLATION: 20 dB MIN.
  - 1.4 VSWR: 1.50:1 MAX.
  - 1.5 OUTPUT UNBALANCE:
    - 1.5.1 AMPLITUDE: 0.5 dB MAX.
    - 1.5.2 PHASE: 5° MAX.
  - 1.6 MAXIMUM INPUT POWER:
    - 5 WATTS WITH OUTPUT LOAD VSWR ≤ 2.0:1
    - 10 WATTS WITH OUTPUT LOAD VSWR ≤ 1.5:1
    - 20 WATTS WITH OUTPUT LOAD VSWR ≤ 1.4:1
    - 30 WATTS WITH OUTPUT LOAD VSWR ≤ 1.2:1
  - 1.7 OPERATING TEMP. RANGE: -65°C TO +125°C
2. FINISHING: GRAY OVER MIL-E-15090 TYPE II, CLASS 2 OVER MIL-C-5541 CLASS 3A. MEETS MIL-F-14072 AND MIL-E-5400.
  - 2.1 MARK UNIT AS SHOWN.
3. DIMENSIONS IN BRACKETS ARE MILLIMETERS.

OUTLINE DRAWING

	Model No. <b>PWD-5532-03-SMA-79</b>		<b>MIDWEST MICROWAVE</b>		
	Cage Code <b>34078</b>		Title <b>POWER DIVIDER</b>		Material
	3RD ANGLE PROJECTION - ⊕ - - ⊞ -		Drawing No. <b>PWD-5532-03-SMA-79-01</b>		Rev. <b>E</b>
	<small>UNLESS OTHERWISE SPECIFIED</small> UNITS: INCHES <b>.XX ±.02</b> <b>.XXX ±.005</b> ANGLES ±1°		Drawn by <b>CWW</b> Date <b>10/3/12</b>	Approved by <b>JRK</b> Date <b>10/4/12</b>	Size <b>C</b> DO NOT SCALE DRAWING