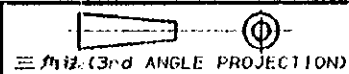
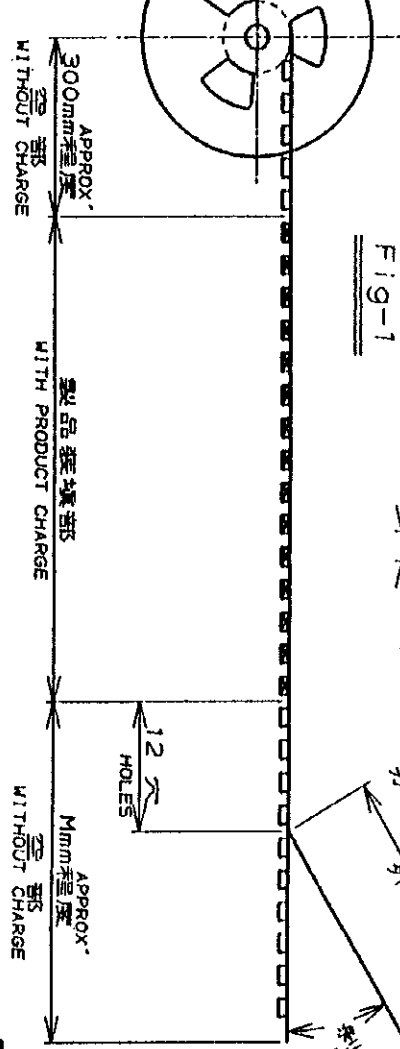
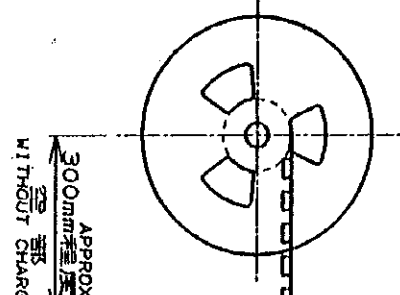
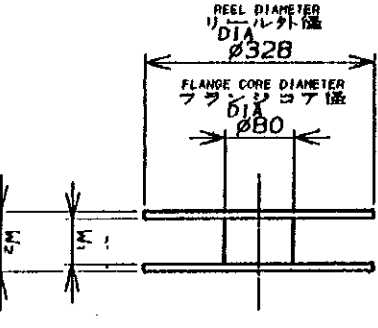
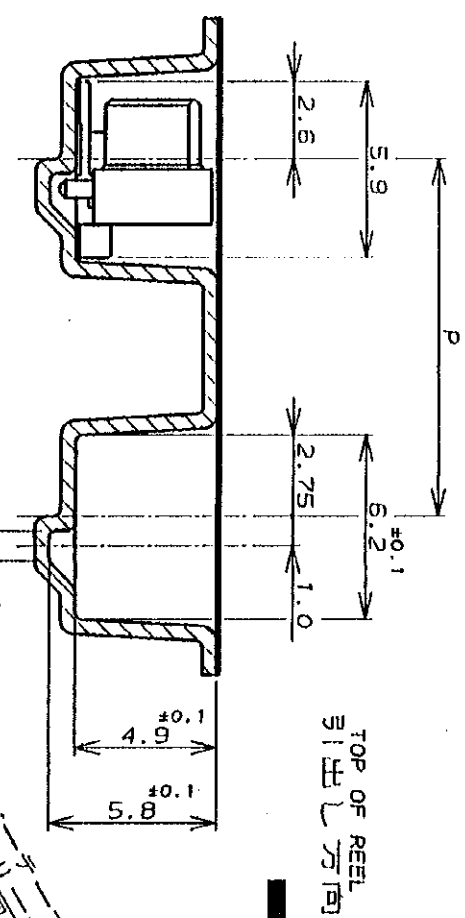
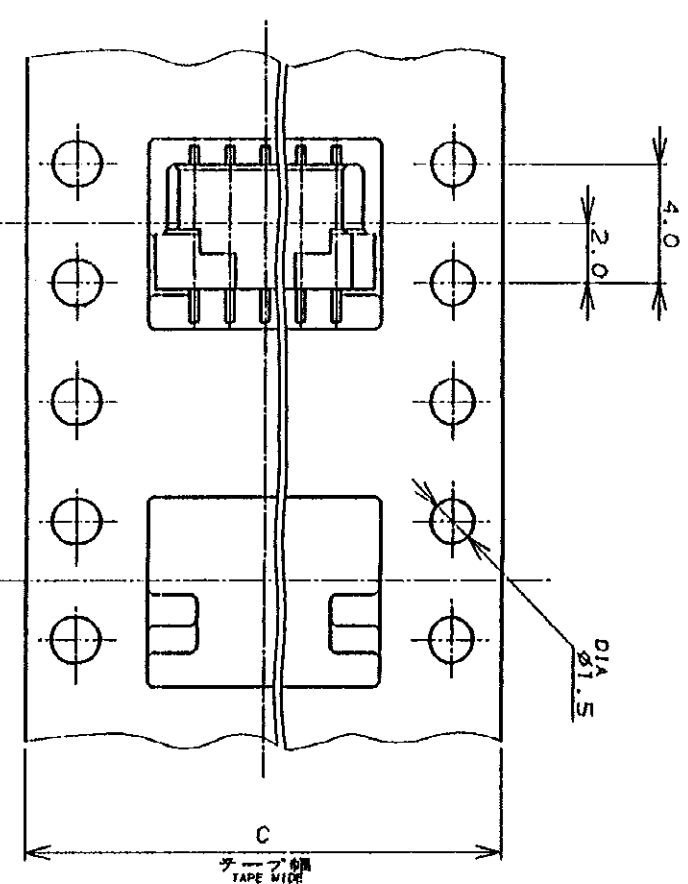


METRIC



NUMBER C-176491

単位: ㎜ DIMENSIONS IN MM. DO NOT SCALE PRINT



注記
 1. 包装規格: 107-5123-1
 NOTE
 1. PACKAGING SPEC: 107-5123-1

B1	エポキシ樹脂	J-12557	S.K.K.	4/10	1/16/90
B	テープ形状	J-12557	S.K.K.	5/8	1/16/90
A	テープ	J-12557	S.K.K.	1/16/90	1/16/90
O	作成	J-12557	S.K.K.	1/16/90	1/16/90
LTR	変更 (REVISION RECORD)		DR	CHK	DATE

Copyright © 19... ALL RIGHTS RESERVED.		Copyright © 19... ALL RIGHTS RESERVED.	
S. KANEKI		DE. J. TANIGAWA	
S. KIKUCHI		APP. S. KIKUCHI	
MATERIAL		FINISH	
INSULATION DATA		GENERAL TOLERANCES	
SIZE LOC		REV. B1	
A3 J		C-176491	
REV. B1		SHEET 1 OF 1	

M2	M1	M	P	C																
37	34	600	12	32	1000	26	30	3-	-0	6-	-0	6-	-0							

PRINT DIST

CUSTOMER DRAWING) 参 考 图