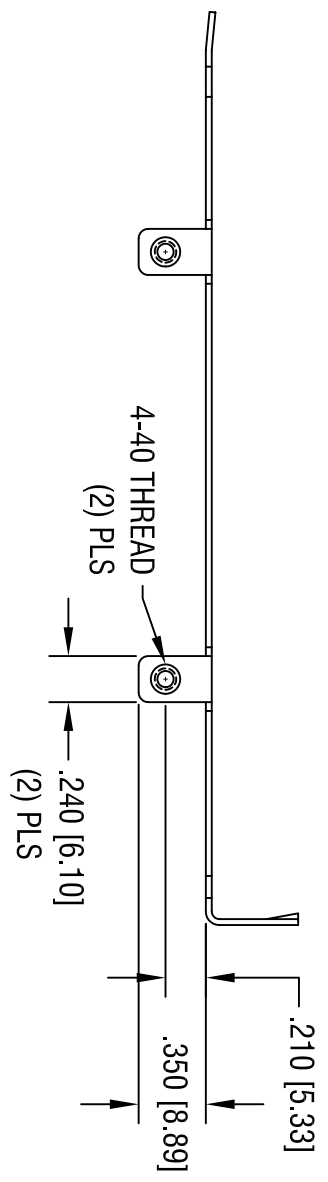
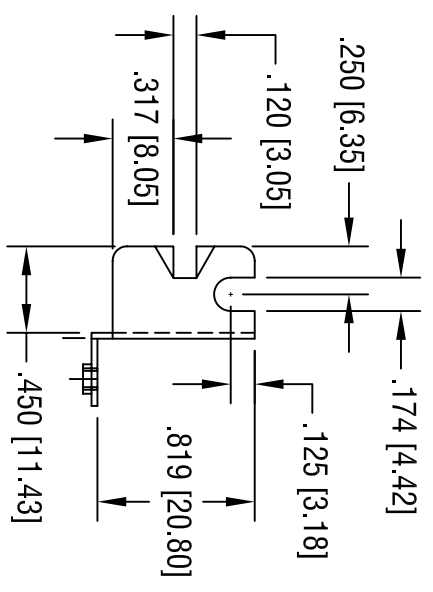
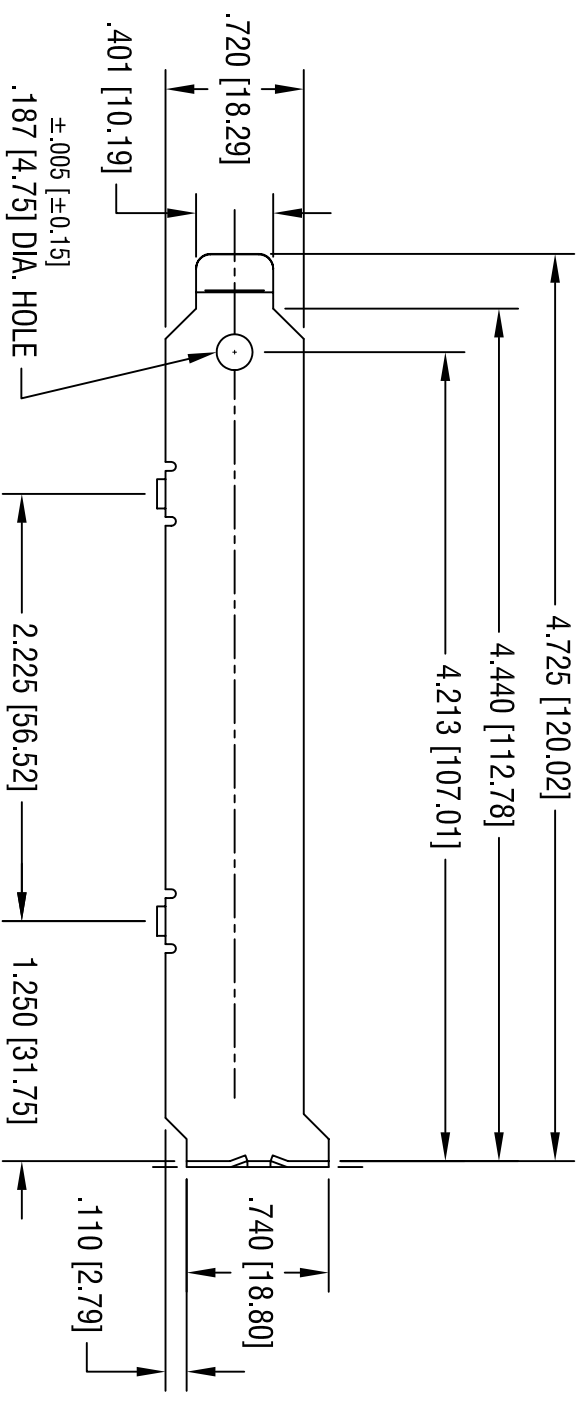


DATE	DESCRIPTION	REV.



KEYSTONE ELECTRONICS CORP.
ASTORIA, N.Y. 11105-2017

PART NAME
COMPUTER BRACKET

MATERIAL
.032 [0.81] THK STEEL

FINISH
NICKEL PLATE

TOLERANCES	INCH	[MM]	CODE	DWG NO.
DECIMAL	± .015	[± 0.38]	C	9202
ANGULAR	± 1°			
UNLESS OTHERWISE SPECIFIED				

THIS DOCUMENT IS THE PROPERTY OF
KEYSTONE ELECTRONICS CORP. AND
SHALL NOT BE REPRODUCED, DISTRIBUTED
OR USED AS A BASIS FOR MANUFACTURE
WITHOUT PRIOR WRITTEN PERMISSION
FROM KEYSTONE ELECTRONICS CORP.

DRN BY	DATE
BOONE	6.15.98

App'd	SCALE
LN	1X