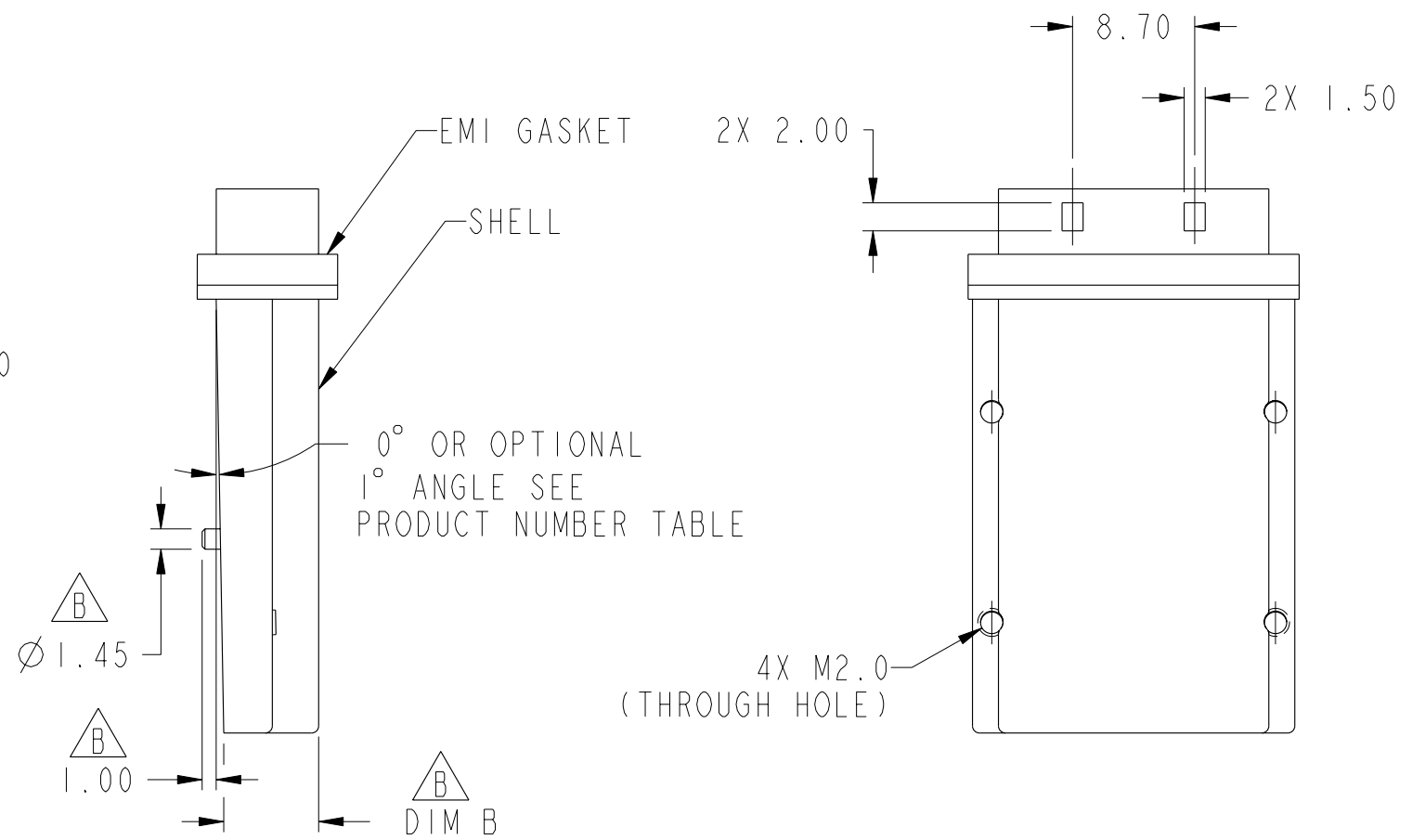
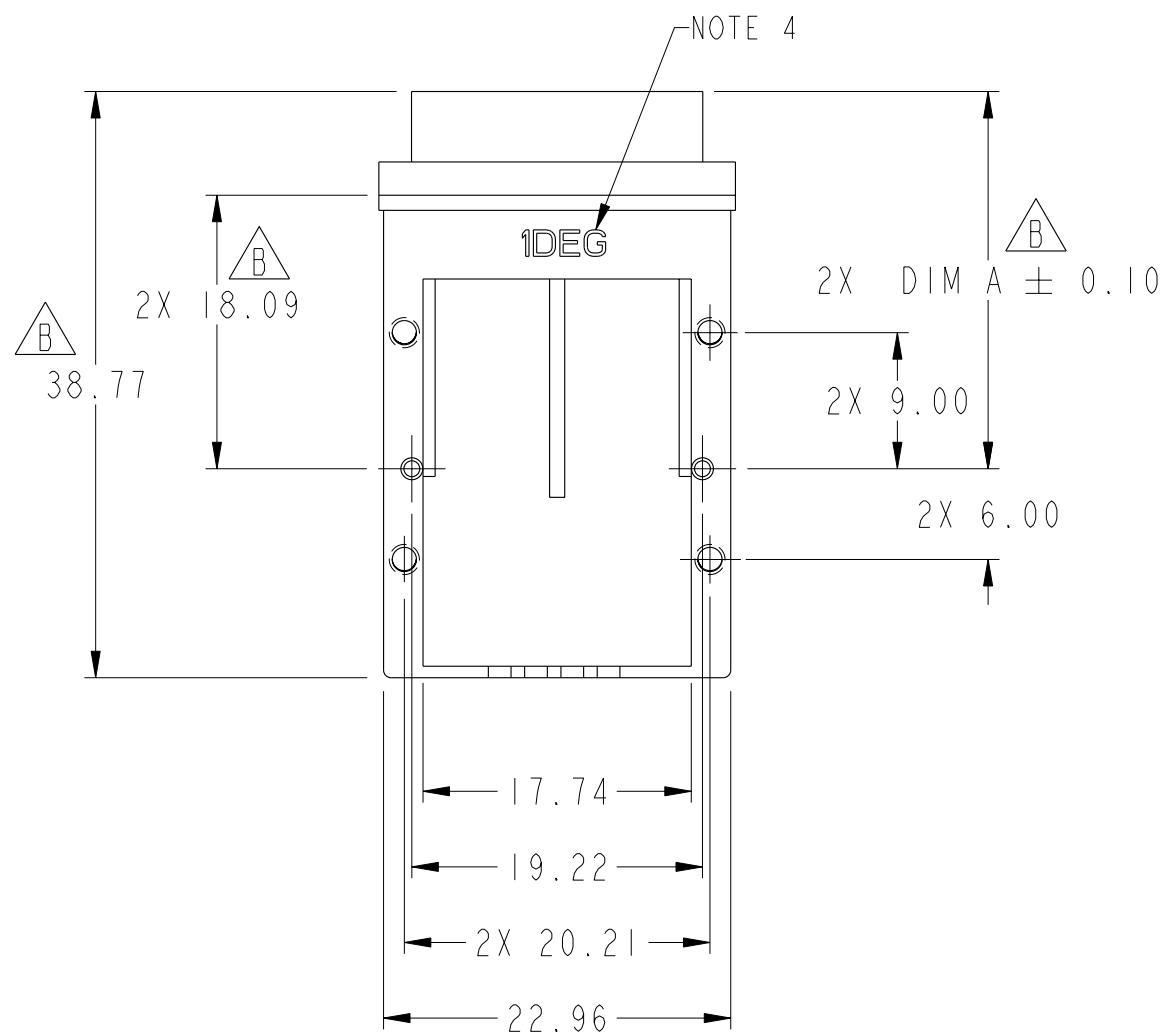
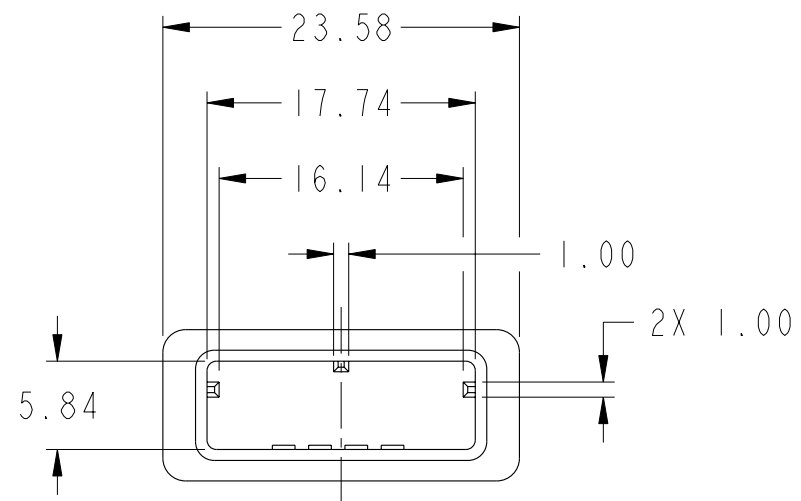


PRODUCT NUMBER
SEE TABLE



Copyright FCI.

rev	ecn no	dr	date
A	V09-0420	RE	2009-08-20
B	V09-0550	MRG	2009-11-20
-	-	-	-
-	-	-	-
-	-	-	-
-	-	-	-

www.fciconnect.com		surface ASME Y14.5	tolerance std ASME Y14.5	projection A3	MM
		TOLERANCES UNLESS OTHERWISE SPECIFIED		Scale 2:1	
Dr	S. MANOHARAN	2009-03-25	ANGULAR	0.X	±0.10
Eng	J. SHUEY	2009-03-25	LINEAR	0.XX	±0.05
Chr	J. SHUEY	2009-03-25	0° ±1°	0.XXX	±-
Appr	J. SHUEY	2009-03-25	Product family	MINI-SAS	Spec ref -
FCI SINGLE PORT CAGE			dwg no		10098871
MINI-SAS CONNECTOR			Rev.		B
catalog no			CUSTOMER		sheet 1 of 3

REV F - 2006-04-17

PRODUCT NUMBER	DIM A	DIM B	GASKET INCLUDED	STYLE	RAIL KEY POSITION
10098871-1102LF	25.09	7.42	YES	WITH POST, 0 DEGREE	#4
10098871-1302LF	24.96	6.88	YES	WITH POST, 1 DEGREE	#4

NOTES:



1. SHELL MATERIAL: ZINC ALLOY
PLATING: 3.81µm NICKEL MIN.

EMI GASKET MATERIAL: FLEXIBLE CONDUCTIVE MATERIAL

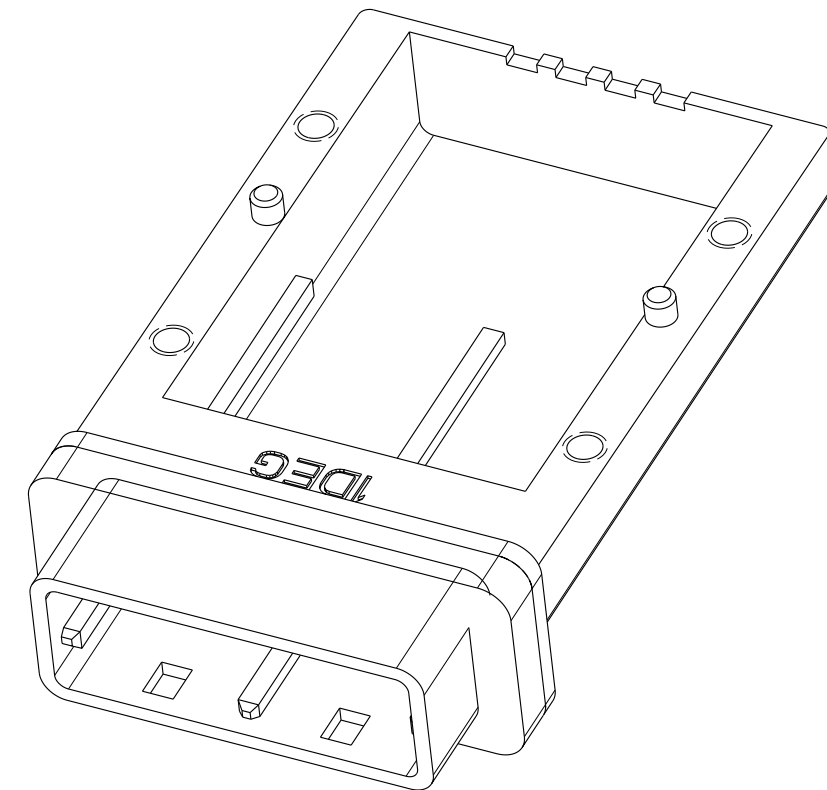
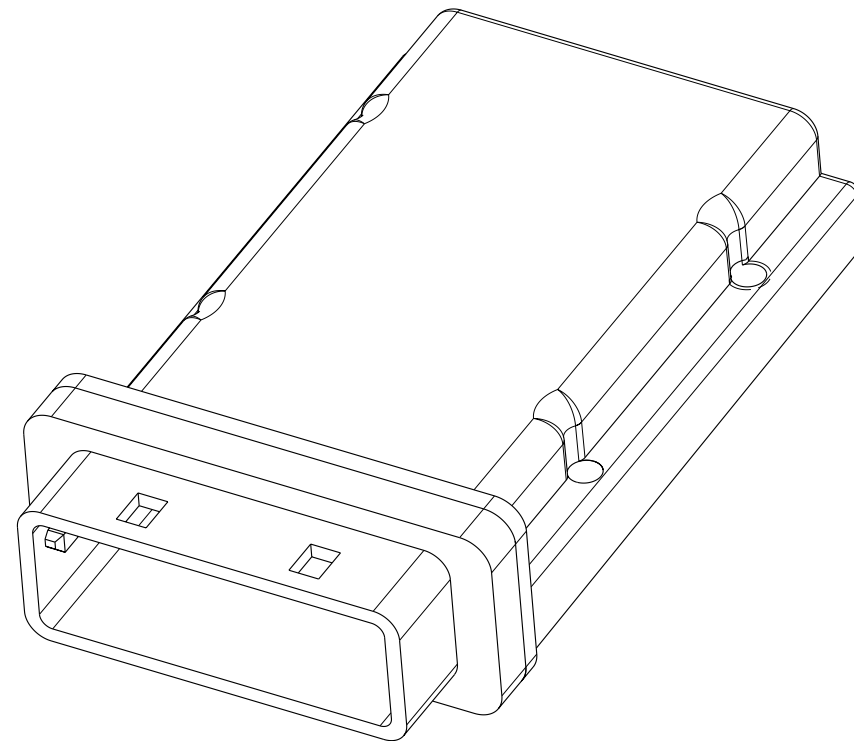
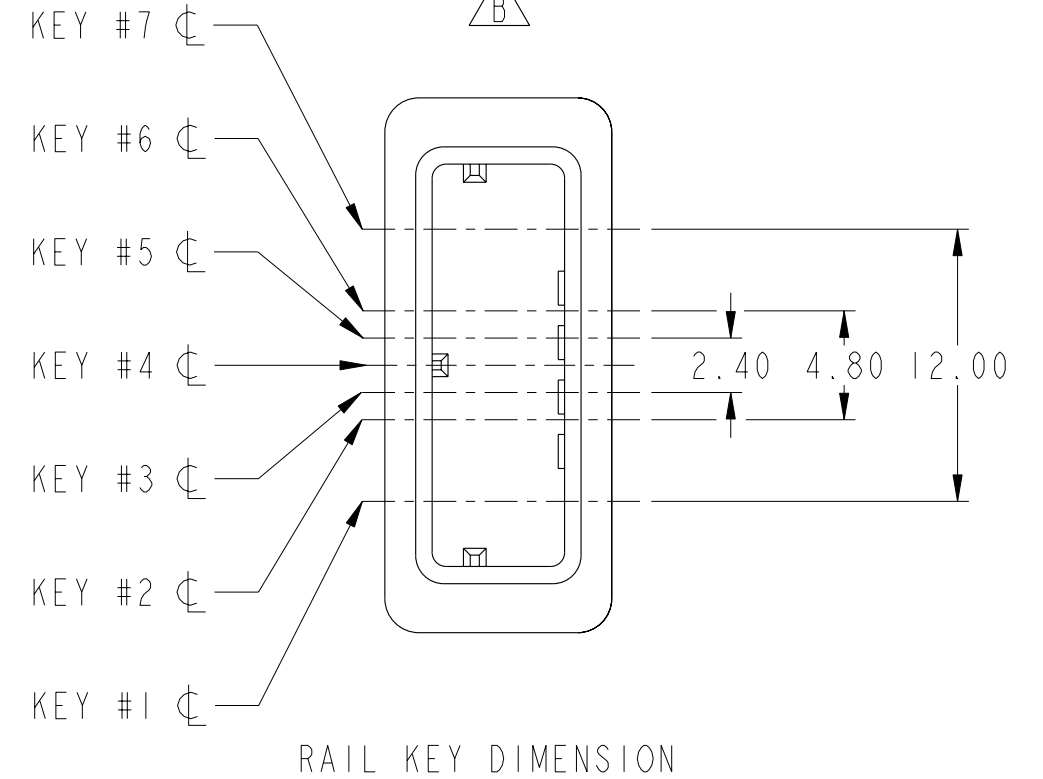
2. PRODUCT SPECIFICATION: GS-12-548

3. APPLICATION SPECIFICATION: GS-20-124

4. PRODUCT NUMBER 10098871-1302LF WILL BE MARKED WITH "1 DEG". PRODUCT NUMBER 10098871-1102LF WILL NOT HAVE A MARKING.

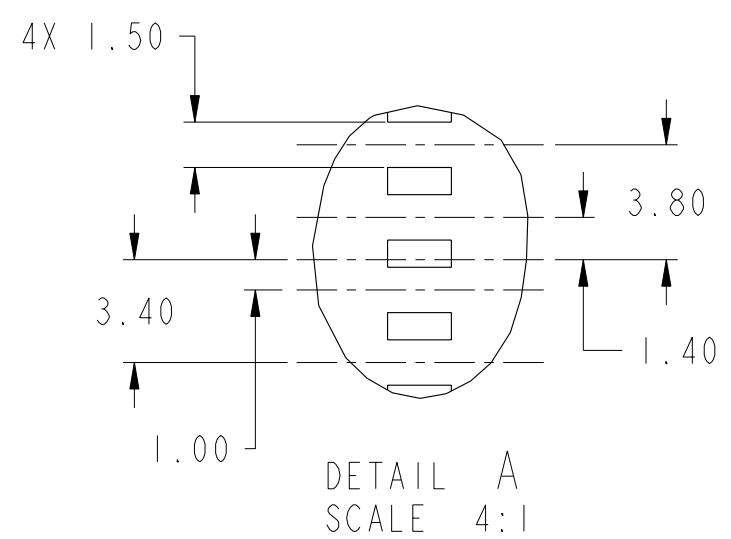
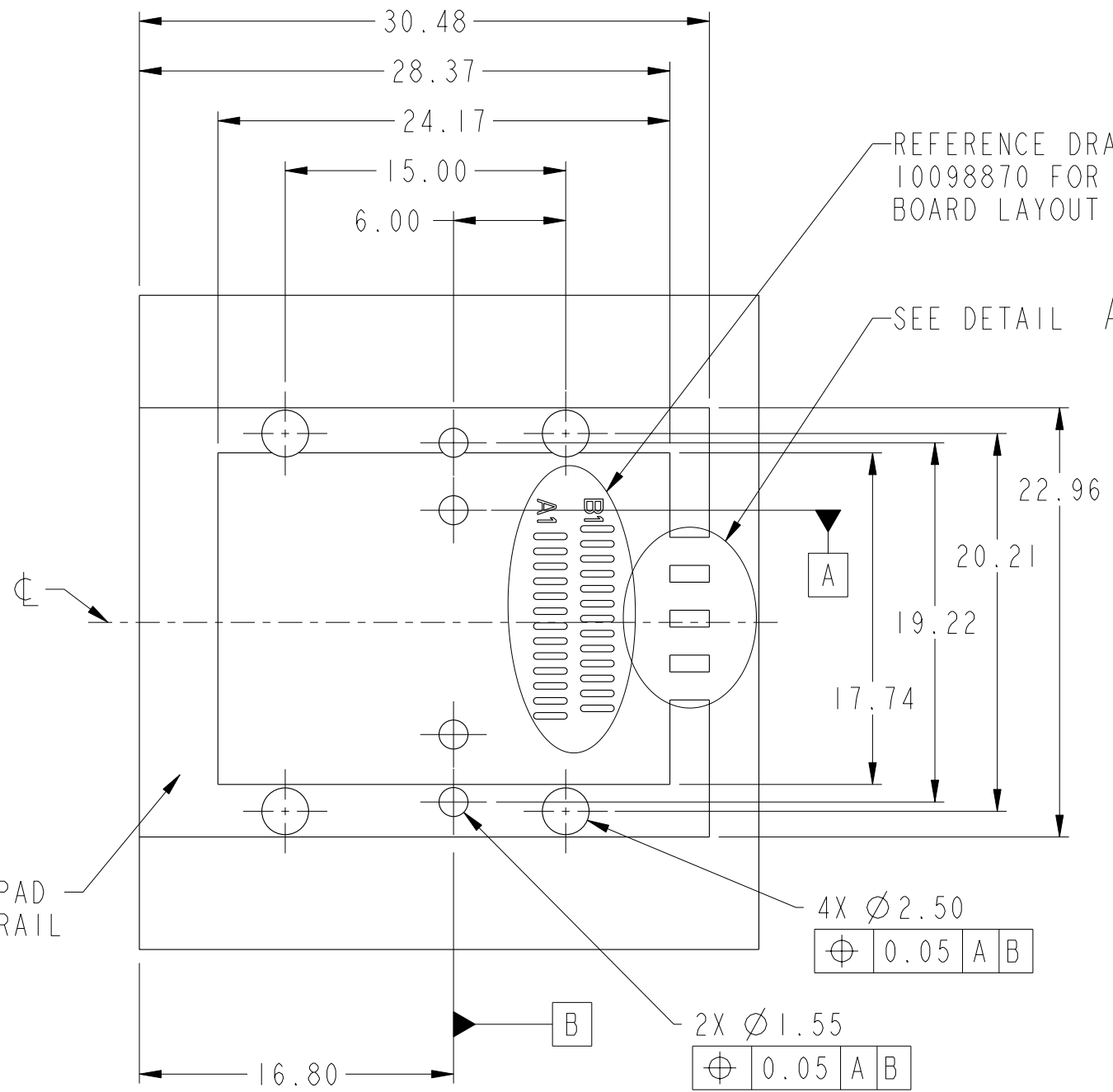
5. PRODUCT MEETS EUROPEAN UNION DIRECTIVES AND OTHER COUNTRY REGULATIONS AS DESCRIBED IN GS-22-008.

6. A SYMBOL WILL BE NEXT TO ANY DIMENSION, VIEW, OR NOTE, WHICH HAS BEEN MODIFIED WITH THE CURRENT DRAWING REVISION.



	title SINGLE PORT CAGE MINI-SAS CONNECTOR	dwg no 10098871	Rev. B
	catalog no -	CUSTOMER	sheet 2 of 3

PRODUCT NUMBER
SEE TABLE



	TITLE SINGLE PORT CAGE MINI-SAS CONNECTOR	dwg no 10098871	Rev. B
	catalog no -	CUSTOMER	sheet 3 of 3

Copyright FCj.