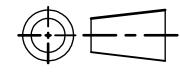
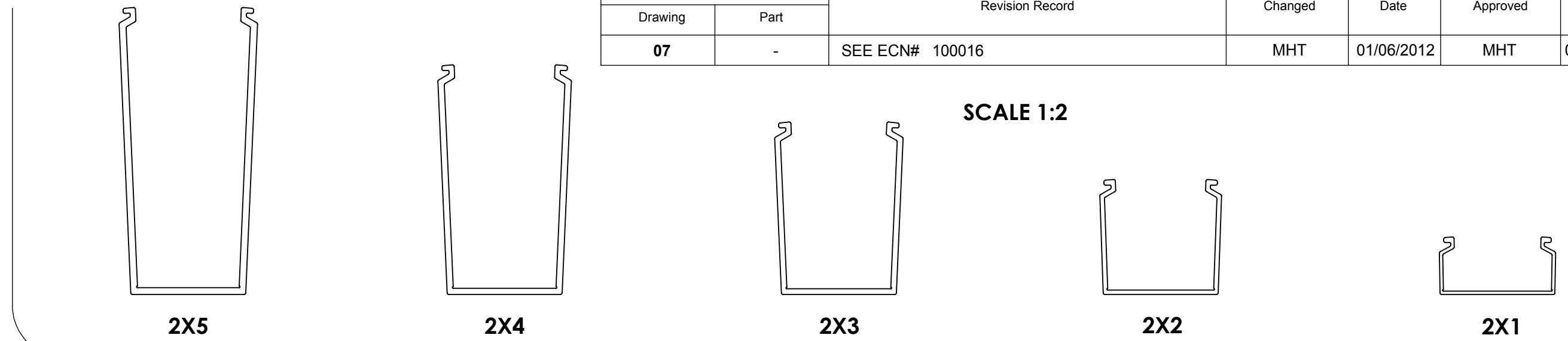
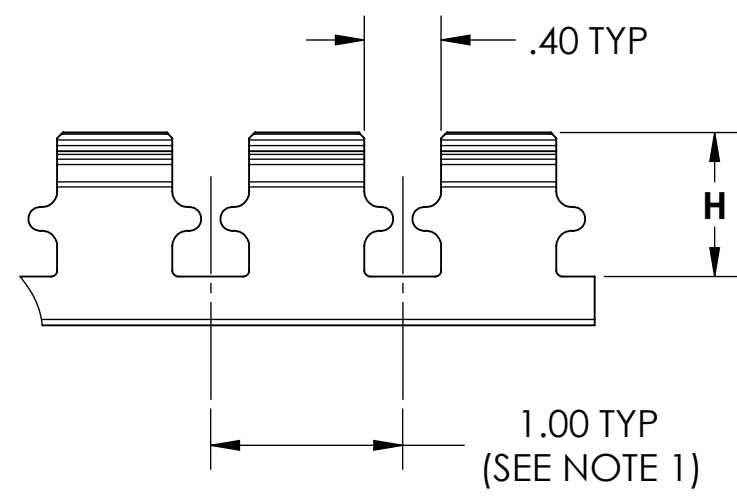


SW2010



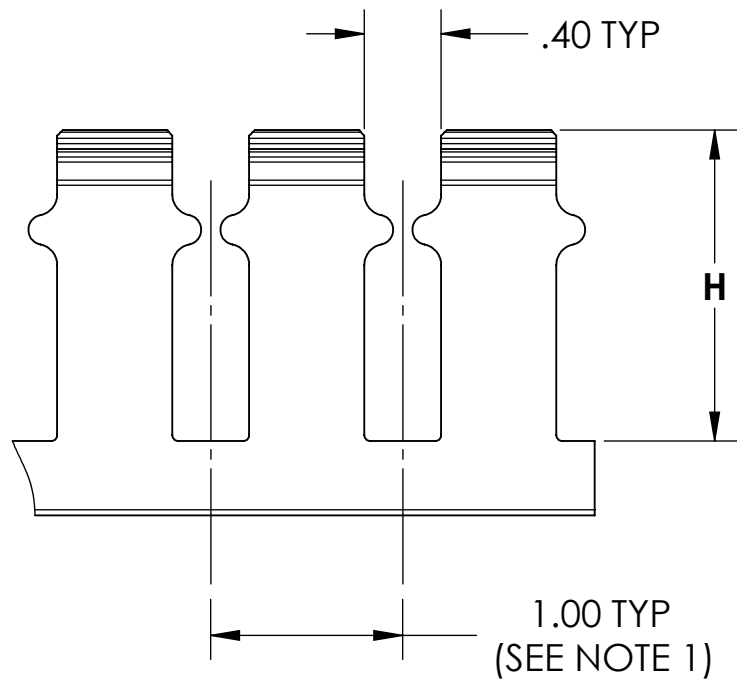
Revision level		Revision Record	Changed	Date	Approved	Date
Drawing	Part					
07	-	SEE ECN# 100016	MHT	01/06/2012	MHT	02/06/2012

**SLOTTED WALL DUCT
TYPE "SL2X1"**

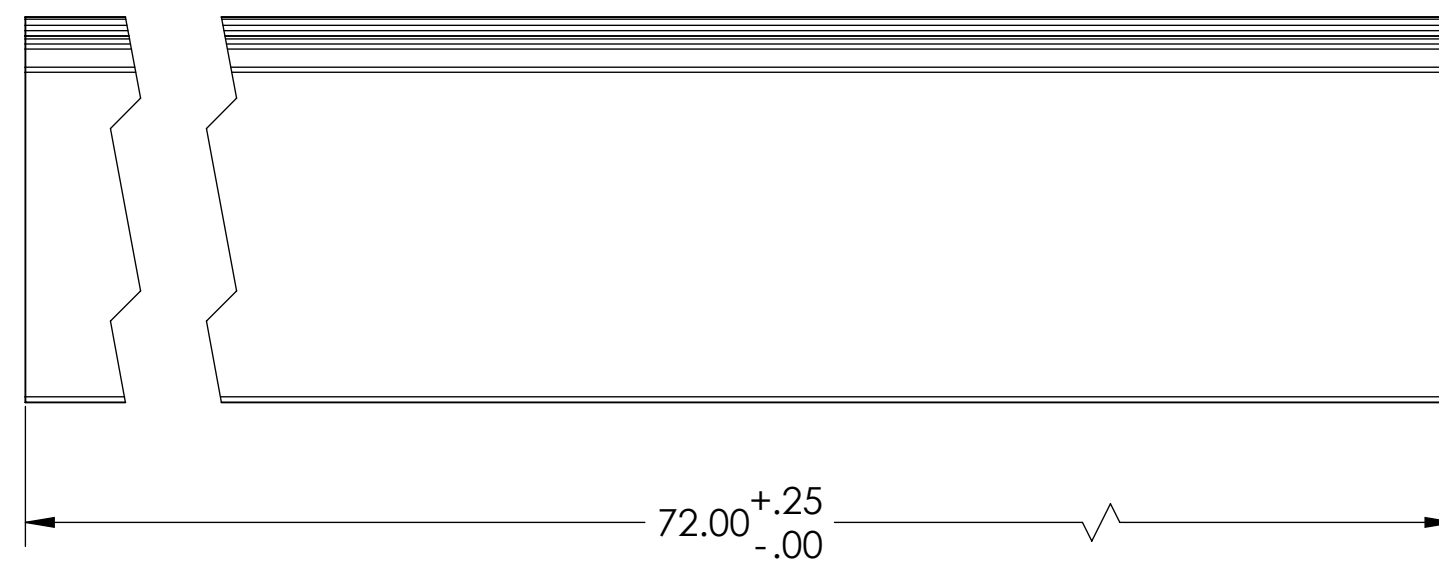


SCALE 1:2

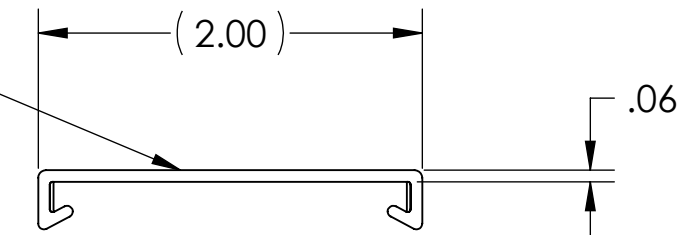
**SLOTTED WALL DUCT
TYPE "SL2X2" "SL2X3" "SL2X4"**



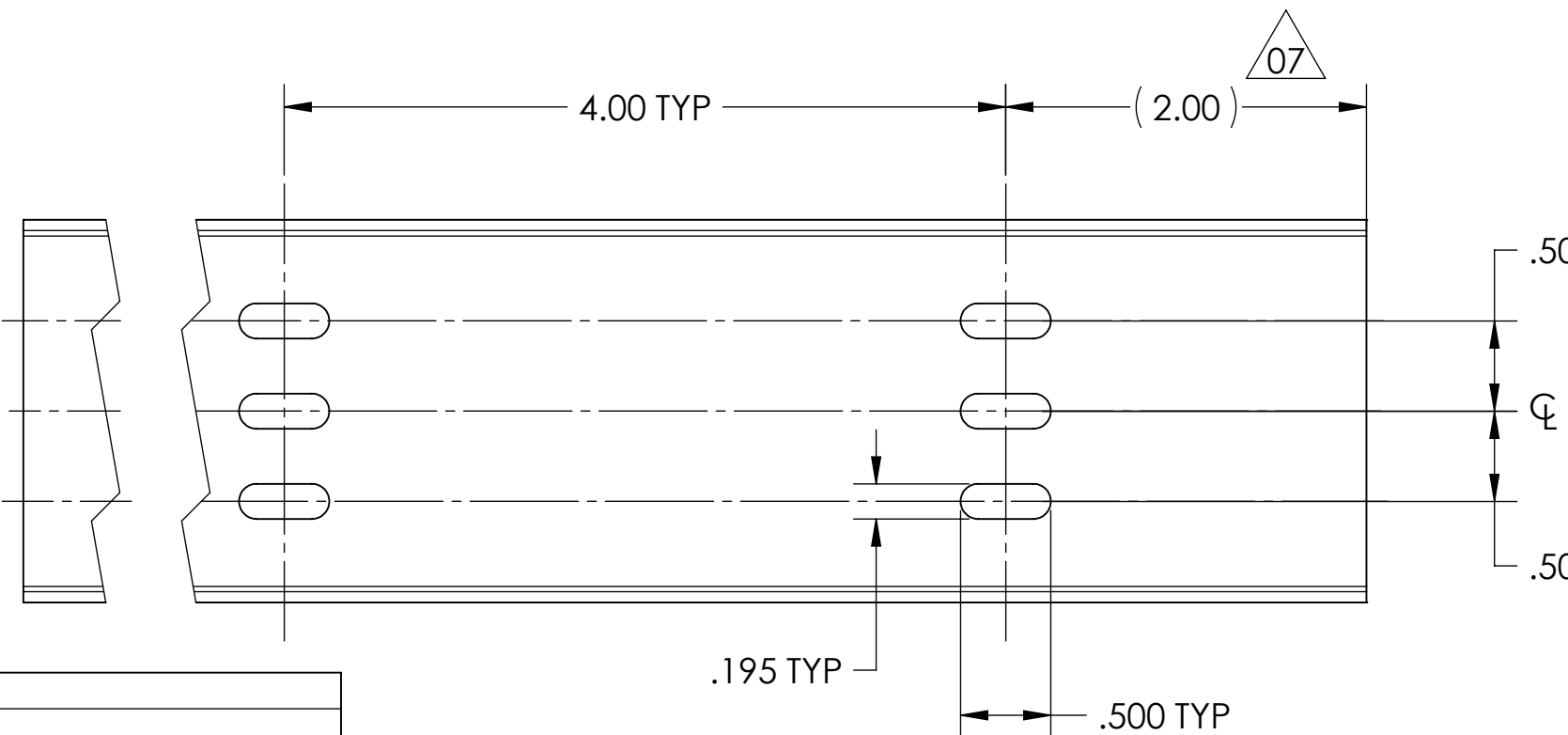
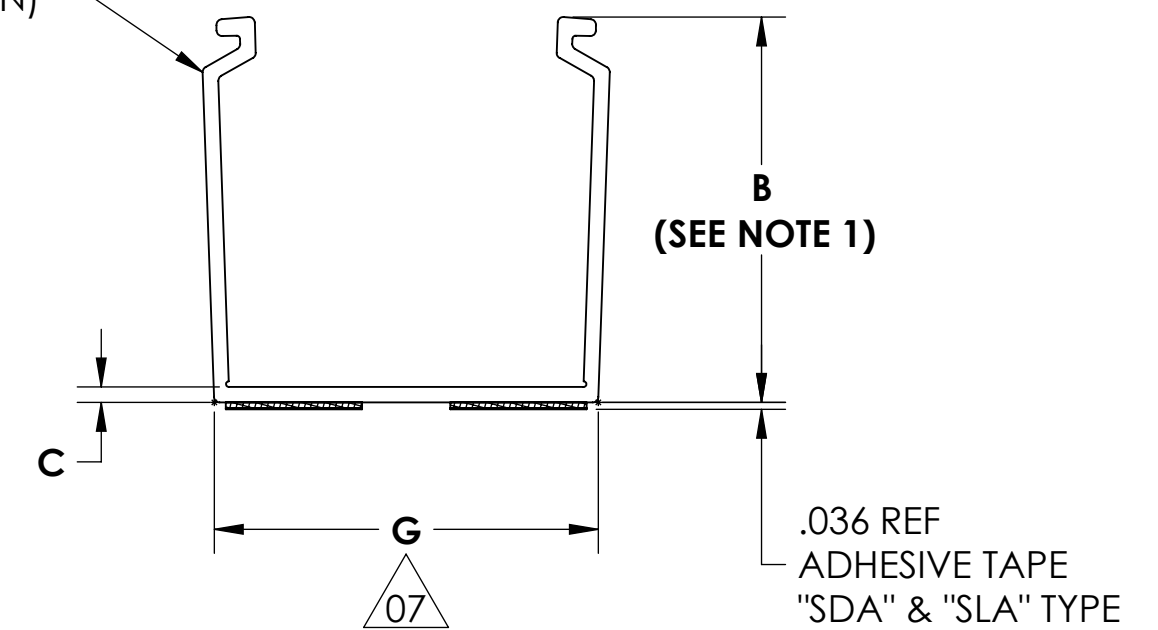
**SOLID WALL DUCT
TYPE "SD"**



COVER WITH
REMOVABLE
PROTECTIVE FILM



DUCT
(2X2 SHOWN)



TYPE NUMBER	DESCRIPTION	MOUNTING METHOD	B (SEE NOTE 1)	C	G	H
TC2	COVER	-	-	-	-	-
SD2X1	SOLID DUCT	SCREW	1.004 +.020/-0.015	.060 ±.005	2.000 +/--.025	-
SD2X2	"	"	2.008 +.025/-0.020	.080 ±.005	2.000 +/--.025	-
SD2X3	"	"	3.009 +.035/-0.020	.100 ±.007	2.000 +/--.029	-
SD2X4	"	"	4.008 +.045/-0.020	.110 +.008/-0.010	2.000 +/--.031	-
SD2X5	"	"	5.007 +.055/-0.020	.120 +.009/-0.015	2.000 +/--.033	-
SDA2X1	SOLID DUCT W/ADHES.	ADHESIVE TAPE	1.004 +.020/-0.015	.060 ±.005	2.000 +/--.025	-
SDA2X2	"	"	2.008 +.025/-0.020	.080 ±.005	2.000 +/--.025	-
SDA2X3	"	"	3.009 +.035/-0.020	.100 ±.007	2.000 +/--.029	-
SDA2X4	"	"	4.008 +.045/-0.020	.110 +.008/-0.010	2.000 +/--.031	-
SDA2X5	"	"	5.007 +.055/-0.020	.120 +.009/-0.015	2.000 +/--.033	-
SL2X1	SLOTTED DUCT	SCREW	1.004 +.020/-0.015	.060 ±.005	2.000 +/--.025	.750 ±.010
SL2X2	"	"	2.008 +.025/-0.020	.080 ±.005	2.000 +/--.025	1.620 ±.015
SL2X3	"	"	3.009 +.035/-0.020	.100 ±.007	2.000 +/--.029	2.600 ±.015
SL2X4	"	"	4.008 +.045/-0.020	.110 +.008/-0.010	2.000 +/--.031	3.600 ±.015
SL2X5	"	"	5.007 +.055/-0.020	.120 +.009/-0.015	2.000 +/--.033	4.600 ±.015
SLA2X1	SLOTTED DUCT W/ADHES.	ADHESIVE TAPE	1.004 +.020/-0.015	.060 ±.005	2.000 +/--.025	.750 ±.010
SLA2X2	"	"	2.008 +.025/-0.020	.080 ±.005	2.000 +/--.025	1.620 ±.015
SLA2X3	"	"	3.009 +.035/-0.020	.100 ±.007	2.000 +/--.029	2.600 ±.015
SLA2X4	"	"	4.008 +.045/-0.020	.110 +.008/-0.010	2.000 +/--.031	3.600 ±.015
SLA2X5	"	"	5.007 +.055/-0.020	.120 +.009/-0.015	2.000 +/--.033	4.600 ±.015

DUCT SIZE (WxH)	DUCT AREA (Sq. In.)	50% WIRE FILL CAPACITY								
		WIRE O.D.					TWISTED PAIR 24 AWG UNSHIELDED			
		12AWG	14AWG	16AWG	18AWG	22AWG	4 Pr. Cat 5e	4 Pr. Cat 6	4 Pr. Cat 6a	
		.158	.165	.139	.125	.113	.065	.217	.240	.354
2X1	1.678	43	39	55	68	84	253	23	19	9
2X2	3.438	88	80	113	140	171	518	47	38	17
2X3	5.122	131	120	169	209	255	772	69	57	26
2X4	6.829	174	160	225	278	341	1030	92	76	35
2X5	8.488	217	199	280	346	423	1280	115	94	43

Notes
1) BOTH SIDES ALIKE WITHIN .015



Material

PVC
AVAILABLE IN WHITE,
GRAY, BLACK, OR BLUE
CONSULT FACTORY FOR
OTHER COLORS
RoHS COMPLIANT

Units

inches
Dimension without tolerances
details to:
.xxxx = ±.0005
.xxx = ±.005
.xx = ±.01
.x = ±.03
None = ±.06
∠ = ±0.5°

The copyright of this drawing is reserved by HellermannTyton. It is issued on condition that it is not reproduced, copied, or disclosed to a third party, either wholly or in part, without the consent of HellermannTyton.

Drawn	KAC	06/18/2009	Article/Type-No	SEE CHART	Scale	1:1
Approved			Title	2" WIDE SD, SDA, SL, SLA DUCT WITH COVER	Project Number	PRP07-021
HellermannTyton			Drawing-No	DT07-021-202CST	Format	C
North America Email: corp@htamericas.com Web: www.hellermann.tyton.com			Pre-Production : Phase		Sheet	1/1