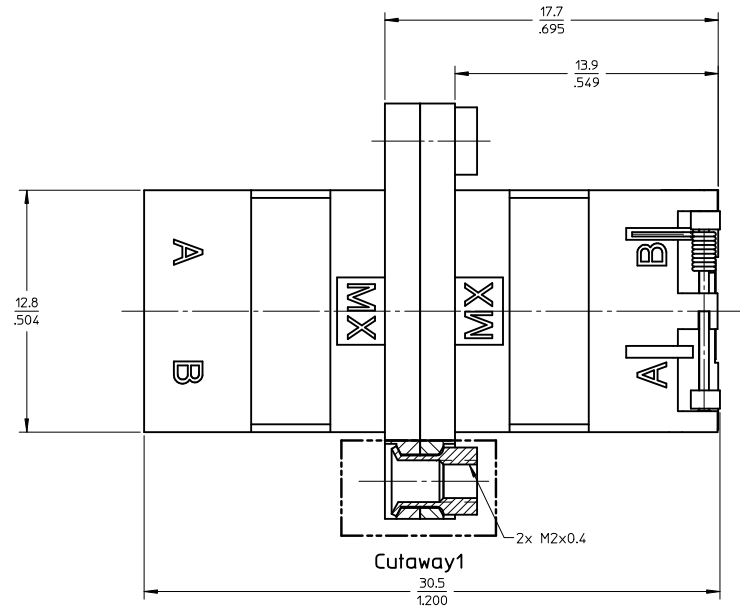
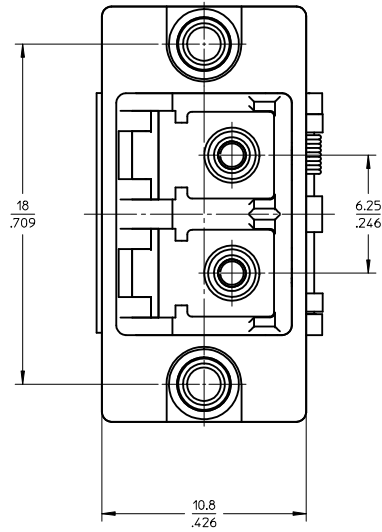
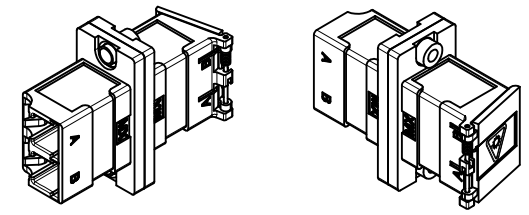
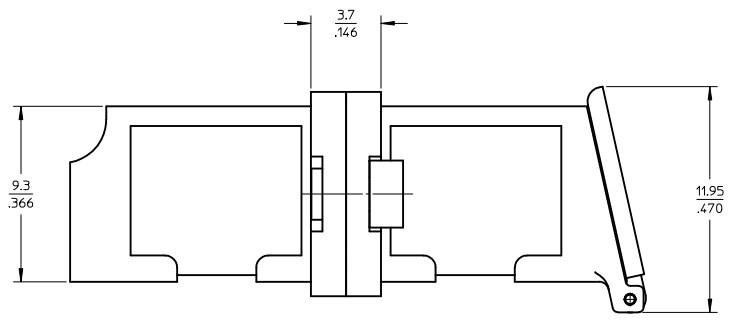
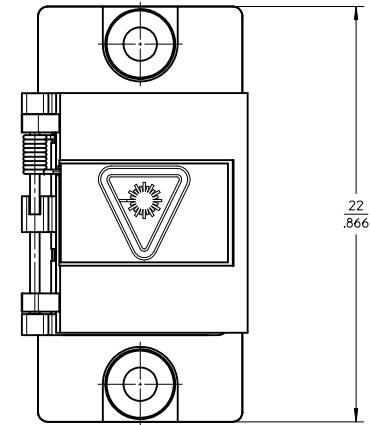


RECOMMENDED MOUNTING CUTOUT PANEL



Cutaway1



NOTES:

- 1. ALL DIMENSIONS ARE FOR REFERENCE ONLY.
- 2. DUST CAP NOT SHOWN.
- 3. SPLIT SLEEVE MATERIAL: PHOSPHOR BRONZE.
- 4. ADAPTERS TO BE PACKAGED IN TRAY.

<b>ENTER DESCRIPTION</b> EC NO: MF2010-0283 2009/12/17 DRWNSMIGO CHKD: BANDREI 12/18/2009 APPR: BANDREI 10/10/08/19	<b>QUALITY SYMBOLS</b> ▽=0 ▽=0	<b>GENERAL TOLERANCES (UNLESS SPECIFIED)</b>		<b>DIMENSION STYLE</b> MM/IN	<b>SCALE</b> 5:1	<b>DESIGN UNITS</b> METRIC	THIRD ANGLE PROJECTION
		4 PLACES ± --- ± --- 3 PLACES ± --- ± --- 2 PLACES ± --- ± --- 1 PLACE ± --- ± ---	DRAWN BY SM DATE 12/17/2009	<b>TITLE</b> METAL LC DUPLEX ADAPTER W/SHUTTER PHOSPHOR BRONZE SLEEVE			
		ANGULAR ±1/2°	CHECKED BY BA DATE 12/18/2009	<b>MATERIAL NO.</b> 1061271990			
		<b>DRAFT WHERE APPLICABLE MUST REMAIN WITHIN DIMENSIONS</b>	APPROVED BY BA DATE 2010/08/16	<b>DOCUMENT NO.</b> SD-106127-1990	<b>SHEET NO.</b> 1 OF 1		