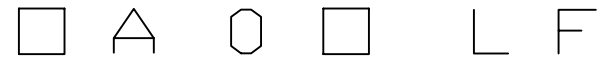
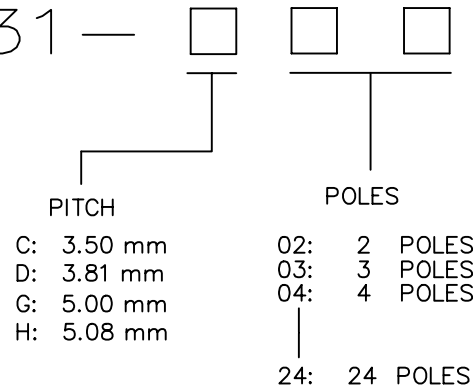


PRODUCT NUMBER
20020131-XXXXXXLF

20020131 —



LF : DENOTED RoHS COMPATIBLE

1 : STANDARD PRODUCT W/ BOX PACKING

PROPERTY TABLE					
FCI SERIES NAME		30-350	30-381	30-500	30-508
PITCH (mm)		3.50	3.81	5.00	5.08
VOLTAGE RATING (VAC)		300	300	300	300
CURRENT RATING (A)	cULus	8	8	15	15
	VDE	10	10	NA	NA
WITHSTANDING VOLTAGE (kV)	cULus	1.6	1.6	1.6	1.6
	VDE	2.5	2.5	NA	NA
OPERATING TEMP. (°C)		-40~+115	-40~+115	-40~+115	-40~+115
SOLDERING TEMP. (°C)		250±10 (5 sec.)	250±10 (5 sec.)	250±10 (5 sec.)	250±10 (5 sec.)
POLES AVAILABLE		02~24	02~24	02~24	02~24
SAFETY CERTIFICATE					

HOUSING CODE

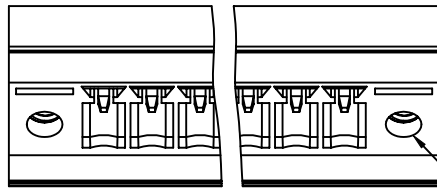
CODE	COLOR	AVAILABILITY
1	GREEN(RAL 6018/T)	STANDARD
2	BLACK	ON REQUEST ONLY
3	GREY(RAL 7004/P)	ON REQUEST ONLY
4	BLUE(RAL 5015/A)	ON REQUEST ONLY

NOTES:

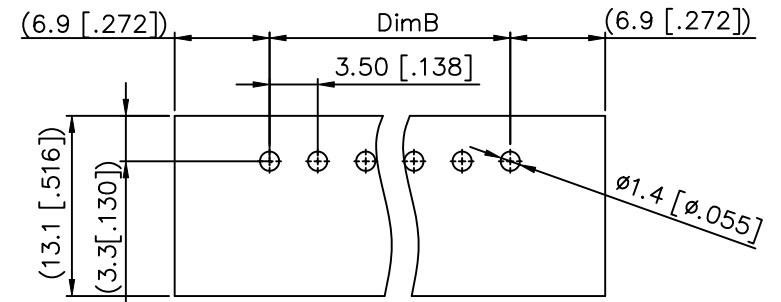
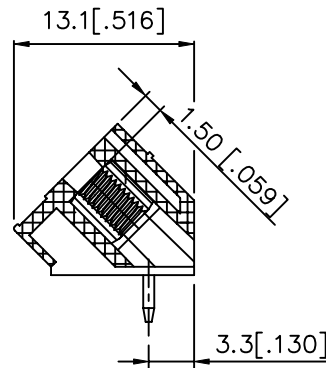
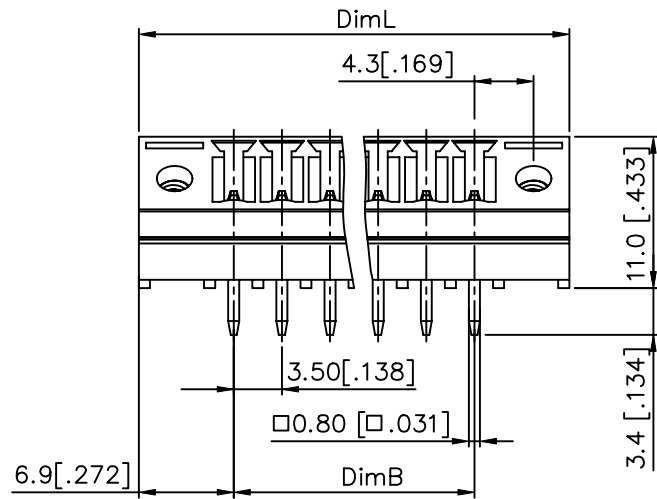
- MATERIALS
1-1 HOUSING: THERMALPLASTIC RESIN, UL 94V-0 RATED.
1-2 TERMINAL: COPPER ALLOY, TIN PLATED.
- 2. PRODUCTION SPECIFICATION REFER TO FCI GS-12-625.
- 3. BOXED PACKAGING.
DETAILED PRODUCT PACKING SPECIFICATION REFER TO FCI GS-14-1394.
- 4. FCI, SAFETY CERTIFICATE LOGO AND SERIES NAME TO BE SHOWN ON PRODUCT SURFACE.
- 5. THE PRODUCTS WHERE THE PART NUMBER END IN "LF" MEET THE EUROPEAN UNION DIRECTIVE AND OTHER COUNTRY REGULATIONS AS DESCRIBED IN GS-22-008.
- 6. RECOMMENDED SOLDERING PROCESS BY WAVE SOLDER.

mat'l. code				surface ASME Y14.5 ✓		tolerance ASME Y14.5		projection		product family	
ltr				ecn no		dr		date		TERMINAL BLOCK	
A				T10-0099		WL		070110		title	
B				T10-0161		WL		101210		TERMINAL BLOCK PLUGGABLE SIGNAL, SOCKET W/FLANGE 45° ANGLE	
C				T10-0187		WL		121410		sheet 1 of 5 size	
D				T11-0015		WL		030211		dwg no	
E				T11-0013		WL		040811		20020131	
										A4	
										type	
										CUSTOMER Drawing	
sheet index		revision sheet		E		E		E		E	
		1 2		3		4		5			

PRODUCT NUMBER	SERIES NAME	PITCH
20020131-CXXXXXXLF	30-350	3.50 mm



FLANGE NUT M2.5



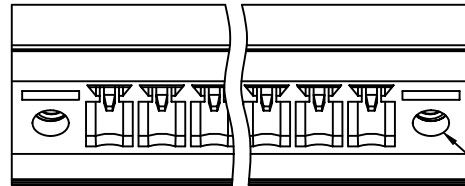
P.C.B LAYOUT

POLE	2		3	4	5	6	7	8	
DIM.L	17.3[.681]	20.8[.818]	24.3[.956]	27.8[1.094]	31.3[1.2322]	34.8[1.370]	38.3[1.507]		
DIM.B	3.50[.138]	7.00[.276]	10.50[.413]	14.00[.551]	17.50[.689]	21.00[.827]	24.50[.965]		
Tol.	±0.10[.004]			±0.15[.006]			±0.20[.008]		
POLE	9	10	11	12	13	14	15	16	
DIM.L	41.8[1.645]	45.3[1.783]	48.8[1.921]	52.3[2.059]	55.8[2.196]	59.3[2.334]	62.8[2.472]	66.3[2.610]	
DIM.B	28.00[1.102]	31.50[1.240]	35.00[1.378]	38.50[1.516]	42.00[1.654]	45.5[1.791]	49.0[1.929]	52.50[2.067]	
Tol.	±0.20[.008]			±0.25[.010]					
POLE	17	18	19	20	21	22	23	24	
DIM.L	69.8[2.748]	73.3[2.885]	76.8[3.023]	80.3[3.161]	83.8[3.299]	87.3[3.437]	90.8[3.574]	94.3[3.712]	
DIM.B	56.00[2.205]	59.50[2.342]	63.00[2.480]	66.50[2.618]	70.00[2.756]	73.50[2.894]	77.00[3.031]	80.50[3.169]	
Tol.	±0.25[.010]			±0.30[.012]					

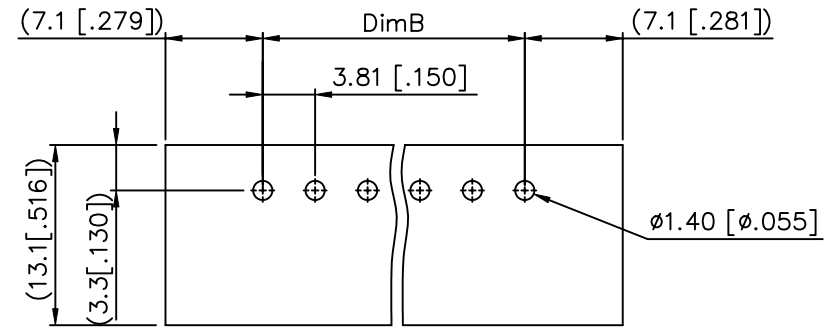
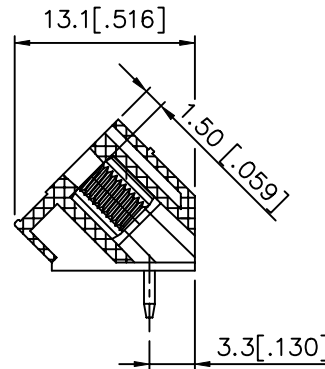
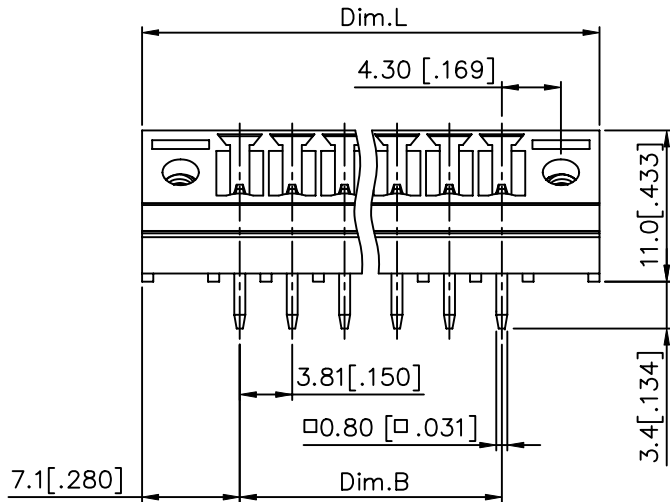
mat'l. code		surface ASME Y14.5	tolerance ASME Y14.5	projection 	product family TERMINAL BLOCK
ltr	ecn no	dr	date	tolerances unless otherwise specified	title TERMINAL BLOCK PLUGGABLE SIGNAL, SOCKET W/FLANGE 45° ANGLE
E				angles X±0.5 X.X±0.3 X°±1'	MM [INCH]
				scale	sheet 2 of 5 size
		dr	WENDY CHEN	062310	dwg no
		enr	JASON HSU	062310	20020131
		chr	GARY HSIEH	062310	A4
		appd	JOSEPH HSIA	062310	type
sheet index	revision sheet				CUSTOMER Drawing



PRODUCT NUMBER	SERIES NAME	PITCH
20020131-DXXXXXXLF	30-381	3.81 mm



FLANGE NUT M2.5



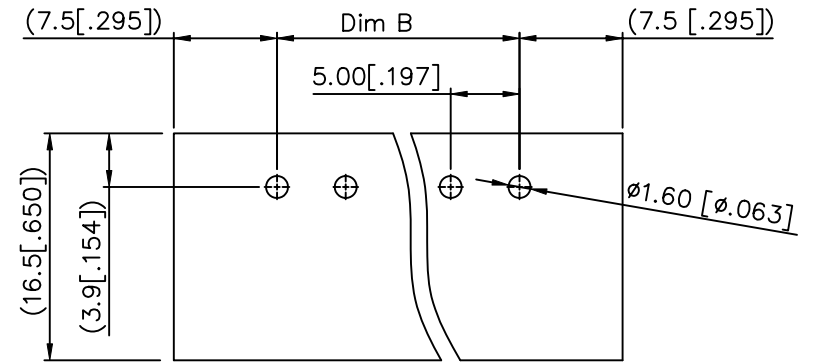
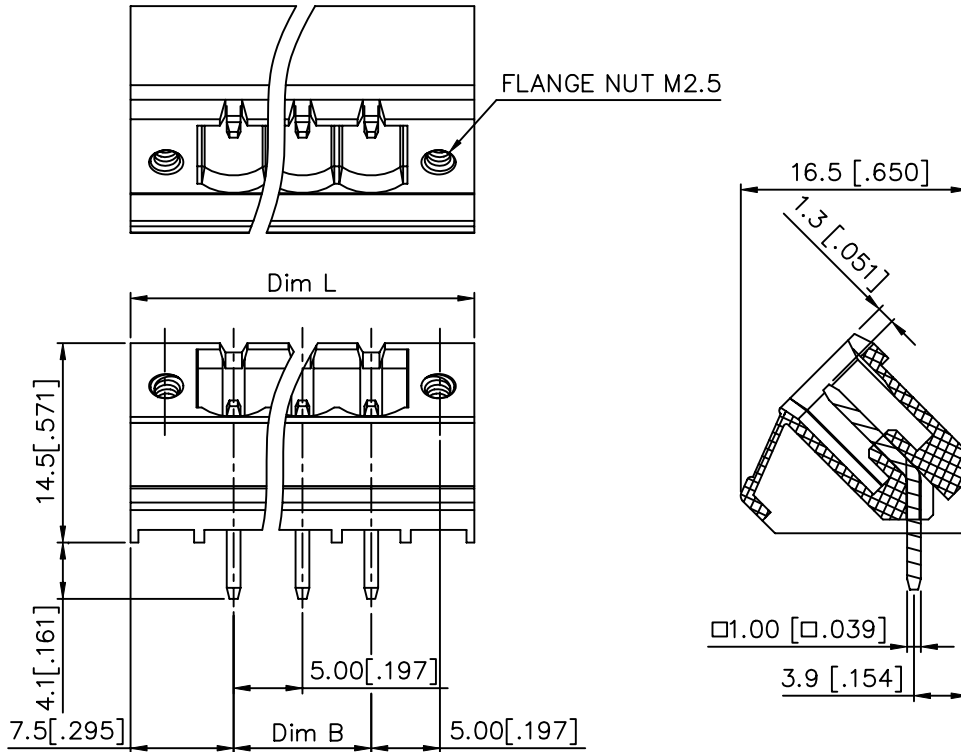
P.C.B LAYOUT

POLE	2	3	4	5	6	7	8	
Dim.L	18.01 [.710]	21.82 [.860]	25.63 [1.010]	29.44 [1.160]	33.25 [1.310]	37.06 [1.460]	40.87 [1.610]	
Dim.B	3.81 [.150]	7.62 [.300]	11.43 [.450]	15.24 [.600]	19.05 [.750]	22.86 [.900]	26.67 [1.050]	
Tol.	±0.10 [.004]			±0.15 [.006]			±0.20 [.008]	
POLE	9	10	11	12	13	14	15	16
Dim.L	44.68 [1.760]	48.49 [1.910]	52.3 [2.060]	56.11 [2.210]	59.92 [2.360]	63.73 [2.510]	67.54 [2.660]	71.35 [2.810]
Dim.B	30.48 [1.200]	34.29 [1.350]	38.10 [1.500]	41.91 [1.650]	45.72 [1.800]	49.53 [1.950]	53.34 [2.100]	57.15 [2.250]
Tol.	±0.20 [.008]				±0.25 [.010]			
POLE	17	18	19	20	21	22	23	24
Dim.L	75.16 [2.960]	78.97 [3.110]	82.78 [3.260]	86.59 [3.410]	90.4 [3.560]	94.21 [3.710]	98.02 [3.860]	101.83 [4.010]
Dim.B	60.96 [2.400]	64.77 [2.550]	68.58 [2.700]	72.39 [2.850]	76.20 [3.000]	80.01 [3.150]	83.82 [3.300]	87.63 [3.450]
Tol.	±0.25 [.010]				±0.30 [.012]			

mat'l. code		surface ASME Y14.5	tolerance ASME Y14.5	projection 	product family TERMINAL BLOCK
ltr	ecn no	dr	date	tolerances unless otherwise specified	title TERMINAL BLOCK PLUGGABLE SIGNAL, SOCKET W/FLANGE 45° ANGLE
E				angles X±1°	MM [INCH]
				tolerances X.X±0.5 X.X±0.3 X.XX±0.1	scale
		dr	WENDY CHEN	062310	sheet 3 of 5 size
		enr	JASON HSU	062310	20020131
		chr	GARY HSIEH	062310	A4
		appd	JOSEPH HSIA	062310	type CUSTOMER Drawing
sheet index	revision sheet				



PRODUCT NUMBER	SERIES NAME	PITCH
20020131-GXXXXXXLF	30-500	5.00 mm

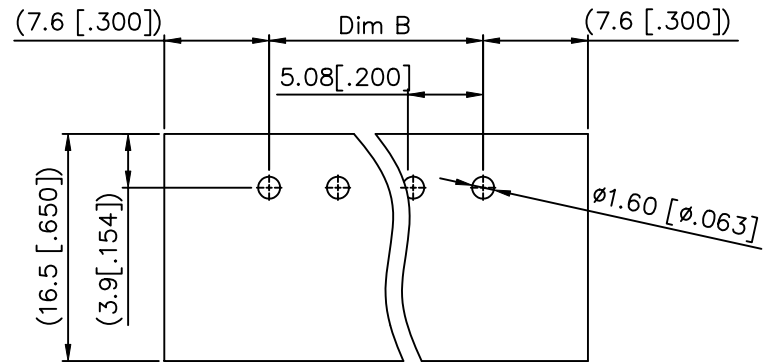
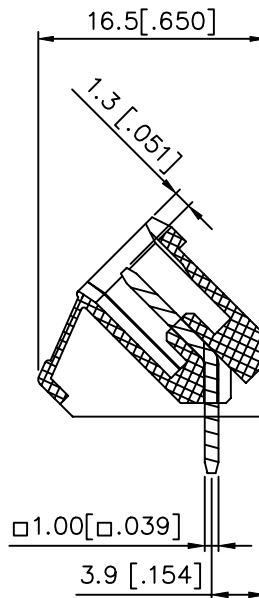
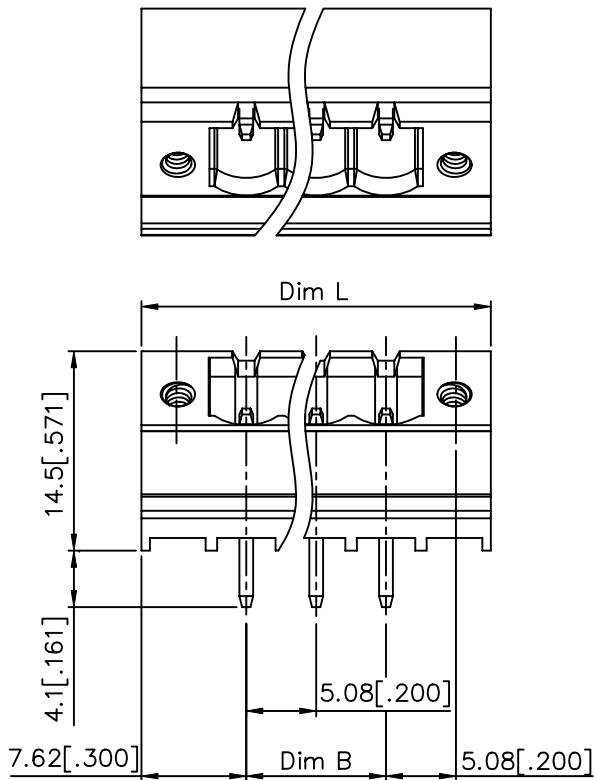


POLE		2	3	4	5	6	7	8
DIM.L		20.0[.787]	25.0[.984]	30.0[1.181]	35.0[1.377]	40.0[1.574]	45.0[1.771]	50.0[1.968]
DIM.B		5.0[.196]	10.0[.394]	15.0[.590]	20.0[.787]	25.0[.984]	30.0[1.181]	35.0[1.377]
Tol.		±0.15[.006]						±0.25[.010]
POLE	9	10	11	12	13	14	15	16
DIM.L	55.0[2.165]	60.0[2.362]	65.0[2.559]	70.0[2.755]	75.0[2.952]	80.0[3.149]	85.0[3.346]	90.0[3.543]
DIM.B	40.0[1.574]	45.0[1.771]	50.0[1.968]	55.0[2.165]	60.0[2.362]	65.0[2.559]	70.0[2.755]	75.0[2.952]
Tol.	±0.25[.010]				±0.30[.012]			
POLE	17	18	19	20	21	22	23	24
DIM.L	95.0[3.74]	100.0[3.937]	105.0[4.133]	110.0[4.330]	115.0[4.527]	120.0[4.724]	125.0[4.921]	130.0[5.118]
DIM.B	80.0[3.149]	85.0[3.346]	90.0[3.543]	95.0[3.740]	100.0[3.937]	105.0[4.133]	110.0[4.330]	115.0[4.527]
Tol.	±0.30[.012]			±0.40[.016]				

mat'l. code		surface ASME Y14.5	tolerance ASME Y14.5	projection 	product family TERMINAL BLOCK
ltr	ecn no	dr	date	tolerances unless otherwise specified	title TERMINAL BLOCK PLUGGABLE SIGNAL, SOCKET W/FLANGE 45° ANGLE
E				angles X±1°	
				tolerances X.X±0.5 X.X±0.3 X.XX±0.1	MM [INCH]
				dr WENDY CHEN 062310	scale
				enr JASON HSU 062310	FCI logo
				chr GARY HSIEH 062310	
				appd JOSEPH HSIA 062310	dwg no 20020131
sheet index	revision sheet				sheet 4 of 5 size A4
					type CUSTOMER Drawing



PRODUCT NUMBER	SERIES NAME	PITCH
20020131-HXXXXXL	30-508	5.08 mm



PCB LAYOUT

POLE		2	3	4	5	6	7	8	
DIM.L		20.32[.800]	25.4[1.000]	30.48[1.200]	35.56[1.400]	40.64[1.600]	45.72[1.800]	50.8[2.000]	
DIM.B		5.08[.200]	10.16[.400]	15.24[.600]	20.32[.800]	25.4[1.000]	30.48[1.200]	35.56[1.400]	
Tol.		±0.15[.006]						±0.25[.010]	
POLE	9	10	11	12	13	14	15	16	
DIM.L	55.88[2.200]	60.96[2.400]	66.04[2.600]	71.12[2.800]	76.2[3.000]	81.28[3.200]	86.36[3.400]	91.44[3.600]	
DIM.B	40.64[1.600]	45.72[1.800]	50.8[2.000]	55.88[2.200]	60.96[2.400]	66.04[2.600]	71.12[2.800]	76.2[3.000]	
Tol.	±0.25[.010]				±0.30[.012]				
POLE	17	18	19	20	21	22	23	24	
DIM.L	96.52[3.800]	101.6[4.000]	106.68[4.200]	111.76[4.400]	116.84[4.600]	121.92[4.800]	127.0[5.000]	132.08[5.200]	
DIM.B	81.28[3.200]	86.36[3.400]	91.44[3.600]	96.52[3.800]	101.6[4.000]	106.68[4.200]	111.76[4.400]	116.84[4.600]	
Tol.	±0.30[.012]			±0.40[.016]					

mat'l. code		surface ASME Y14.5	tolerance ASME Y14.5	projection 	product family TERMINAL BLOCK
ltr	ecn no	dr	date	tolerances unless otherwise specified	title TERMINAL BLOCK PLUGGABLE SIGNAL, SOCKET W/FLANGE 45° ANGLE
E				angles X±1°	MM [INCH]
				tolerance X.X±0.5 X.XX±0.3 X.XX±0.1	scale
		dr	WENDY CHEN	062310	sheet 5 of 5 size
		enr	JASON HSU	062310	dwg no
		chr	GARY HSIEH	062310	20020131
		appd	JOSEPH HSIA	062310	A4
sheet index	revision sheet				type CUSTOMER Drawing

