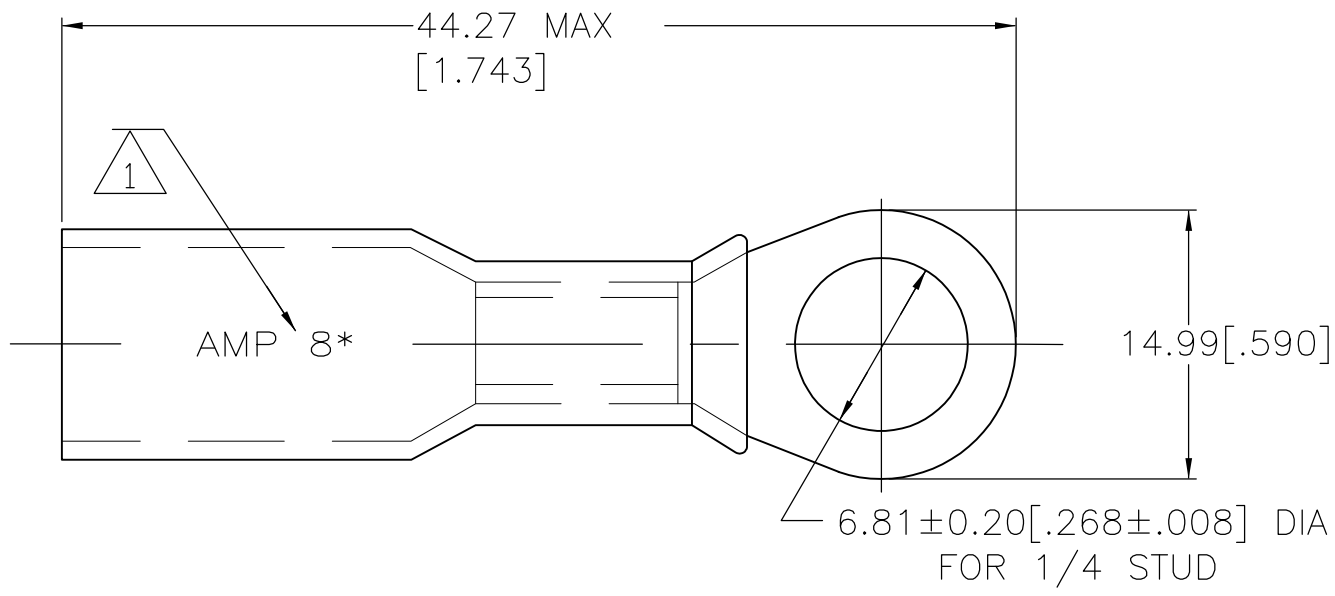


THIS DRAWING IS UNPUBLISHED. RELEASED FOR PUBLICATION
 © COPYRIGHT BY TYCO ELECTRONICS CORPORATION. ALL INTERNATIONAL RIGHTS RESERVED.

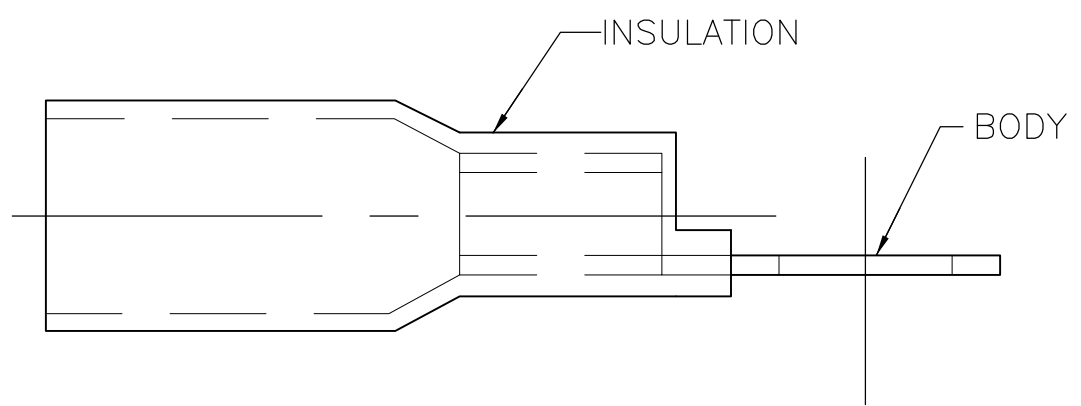
LOC	DIST	REVISIONS			
P	LTR	DESCRIPTION	DATE	DWN	APVD
G	14	D	REVISED PER ECR-09-027352	18FEB10	JR TM



- △ 1 STAMP AMP 8* APPROX AS SHOWN
- 2 WIRE INSULATION DIA 7.87 [.310] MAX
- 3 TONGUE MATERIAL THK 1.14±0.05 [.045±.002]
- △ 4 SUPERSEDED BY 8-55863-5

AMP
WIRE RANGE

8 AWG
STRANDED



QTY	PACKAGE TYPE	PART NO
10	LOOSE PIECE	8-55863-5
100	LOOSE PIECE	△ 4 55863-1

AMP INCORPORATED CUSTOMER SERVICE SYSTEMS		MAX RECOMMENDED OPERATING TEMPERATURE: 125° C MAX	THIS DRAWING IS A CONTROLLED DOCUMENT.		DWN S S GOULDEN 6/93	Tyco Electronics Corporation Harrisburg, PA 17105-3608			
FOR ADDITIONAL PRODUCT INFORMATION OR COPIES OF DRAWINGS AND TECHNICAL DOCUMENTS	PRODUCT INFORMATION CENTER 1-800-522-6752	VOLTAGE RATING: 600V MAX (BUILDING WIRING) 1000V MAX (FIXTURES & SIGNS)	DIMENSIONS: mm [INCHES]	TOLERANCES UNLESS OTHERWISE SPECIFIED:	CHK R HERSEY 6/93	NAME TERMINAL, RING TONGUE, SEALABLE HEAT SHRINKABLE			
FOR APPLICATION TOOLING INFORMATION	TOOLING ASSISTANCE CENTER 1-800-722-1111	CIRCULAR MIL AREA: 6.64-10.54 ² [13100-20800] STRANDED		0 PLC ± - 1 PLC ± - 2 PLC ± 0.20[.008] 3 PLC ± - 4 PLC ± - ANGLES ± -	APVD B BARE 6/93	APPLICATION SPEC 408-4022			
FOR ORDER ENTRY	1-800-526-5142	THIS DRAWING IS A CONTROLLED DOCUMENT FOR AMP INCORPORATED. IT IS SUBJECT TO CHANGE AND THE CONTROLLING ENGINEERING ORGANIZATION SHOULD BE CONTACTED FOR THE LATEST REVISION.	MATERIAL BODY: ETP COPPER INSULATION: POLYOLEFIN COLOR: RED	FINISH EDP TIN PLATED	PRODUCT SPEC -	SIZE A3	CAGE CODE 00779	DRAWING NO G-55863	RESTRICTED TO -
CUSTOMER DRAWING					WEIGHT -	SCALE NTS	SHEET 1 OF 1	REV D	