

PART  
NAME

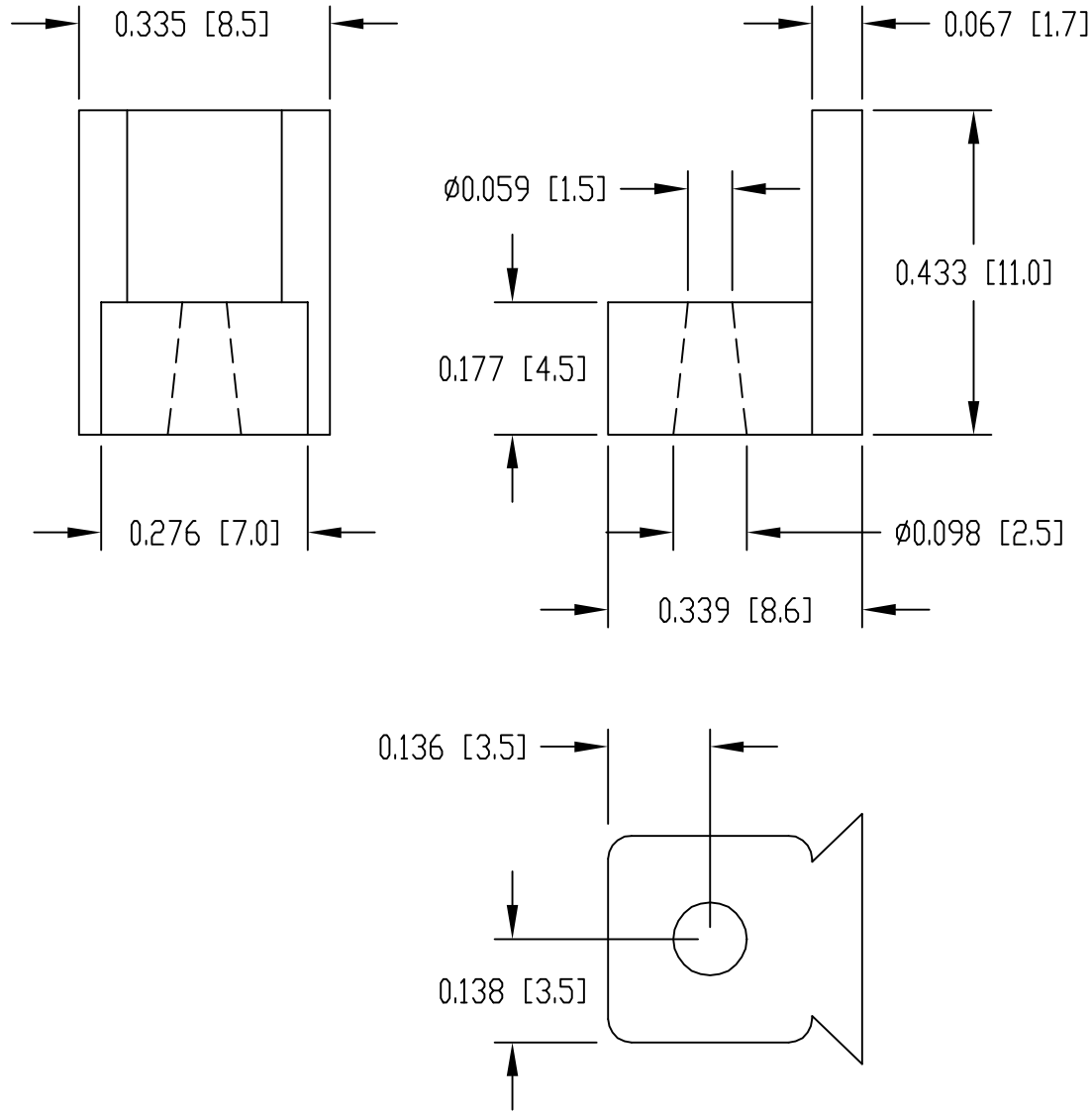
PANEL BRACKET KIT

PART  
No.

NBX-10930

REV.  
DATE

9-28-10



MATERIAL:

BRACKETS - ABS/PC PLASTIC  
SCREWS - STEEL

FINISH:

BRACKETS - LIGHT GRAY  
SCREWS - ZINC PLATED

KIT CONTAINS QTY. (4) BRACKETS  
AND QTY. (4) M3.5 x 6mm LG.  
SELF-THREADING PAN HD. SCREWS

