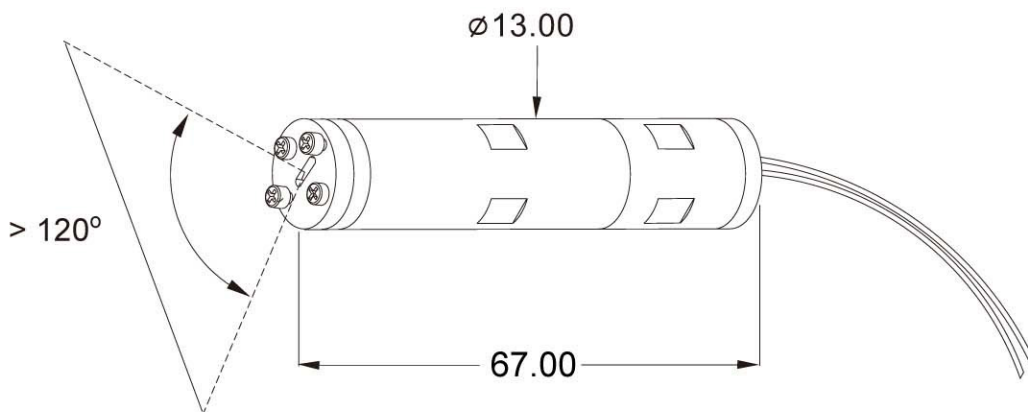


MODEL TYPE

VLM-532-46 LCA

OUTLINE DIMENSIONS (UNITS: mm)



1. Miniature highlight green laser line generator module for industrial applications.
2. Compact size for general applications.
3. The brass housing for better heat dispersion.
4. Multiple glass lenses included for high quality laser line.
5. High electric stability laser driver included.

| SPECIFICATIONS | 532-46LCA |
|-----------------------------|---------------------------------------|
| Operating voltage (Vop) | 2.7 ~ 3.3V |
| Operating current (Iop) | 200 ~ 300 mA |
| Cw output power (Po) | Class IIIa, CW mode |
| Output power stability | < 10% @ 25°C after 10 minutes warm up |
| Wavelength (λ p) | 532nm |
| Power source | Alkaline battery (Not included) |
| Housing | Brass |
| Emitting angle | > 120° |
| Width of laser line | < 3mm @ 5m, < 6mm @15m |
| Laser line accuracy | ±40" |
| Half divergence angle | < 3 mrad |
| Mean time to failure (MTTF) | > 4000 hrs |
| Operating temp. range | +15°C ~ +35°C |