

**Technical specification :**

Rated voltage: IEC 61076-2-104	30 V
Current rating: IEC 61076-2-104	3 A at 40°C
Insulation resistance: IEC 60512	>=100 MΩ
Pollution degree: IEC 60664-1	3/2
Degree of protection: IEC 60529	IP 67, in mated condition
Temperature range: IEC 60664-1	-30°C ... +80°C
Mating cycles: IEC 60512-9a	>=100

**Materials:**

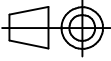
Contact:	CuZn
Contact plating:	Nickel, gold plated
Contact carrier:	TPU GF, UL 94
Moulding body:	TPU, UL 94, grey

**Contact assignment:**

- 1) brown
- 2) white
- 3) blue
- 4) black
- 5) grey

Part no:	Description:	Length L:	Cable:
42-11100	SAL - 8B - RKS5.1 - 2 / K1	2m	TPU, UL 20549, black, 5x0,25mm <sup>2</sup> Cable: 781-K12500
42-11101	SAL - 8B - RKS5.1 - 3 / K1	3m	
42-11102	SAL - 8B - RKS5.1 - 5 / K1	5m	
42-11103	SAL - 8B - RKS5.1 - 10 / K1	10m	
42-xxxxx	SAL - 8B - RKS5.1 - ... / K1	x	

D see data sheet cable

DO NOT ALTER CAD DRAWING BY HAND Directive 2002/95/EC RoHS compliant	Index: a 23.08.11 bcb Ä3941 data modified	 dim. in mm	title: <b>Female connector ø8 axial, snap, B-coding</b>		
					date
	tolerance of cable: L ≤ 4m: L + 40mm L > 4m: L + 1%	drawn 05.08.10	Fromm	dwg no: <b>42K1A241</b>	
	THIS DRAWING MAY NOT BE COPIED OR REPRODUCED IN ANY WAY, AND MAY NOT BE PASSED ON TO A THIRD PARTY WITHOUT WRITTEN PERMISSION. OWNERSHIP AND COPYRIGHT OF CONEC GmbH	appd. 05.08.10	Mankopf		

