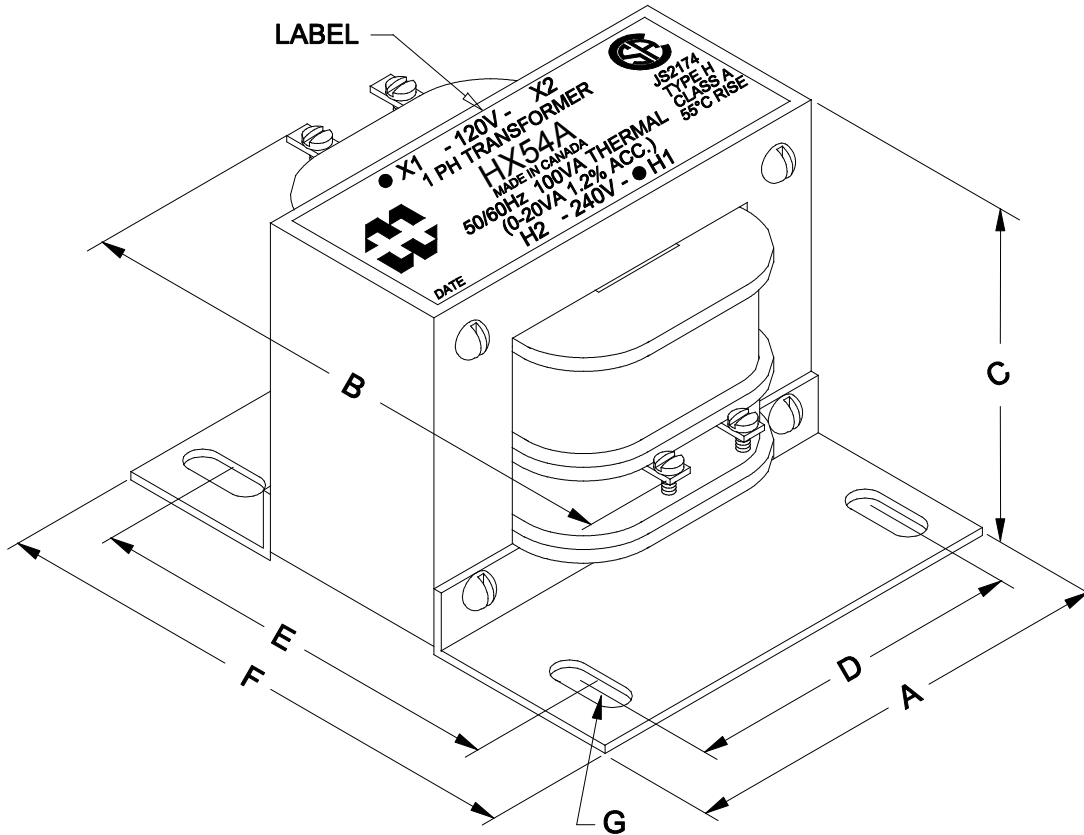
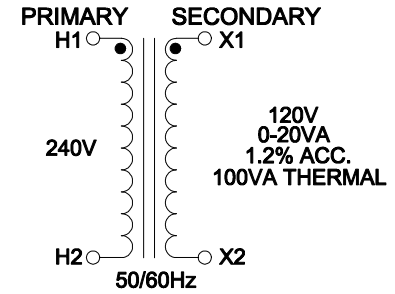


DIMENSIONS:

A	3.750" ±0.063
B	4.400" ±0.125
C	3.125" ±0.063
D	3.125" ±0.063
E	3.032" ±0.063
F	4.063" ±0.063
G	0.219" x 0.750" ±0.015



ELECTRICAL DATA:		
TESTS	CONDITIONS	ACCEPTANCE CRITERIA
Iex	@ 240V, 60Hz, H1 - H2	37.2mA Max.
Sec. N.L.V	@ 240V, 60Hz, H1 - H2	
	X1 - X2 =	121.4V ±1%
DCR	@ 20°C, H1 - H2 =	11.93 Ω ±20%
	@ 20°C, X1 - X2 =	3.015 Ω ±20%
HIPOT	PRIMARY - SECONDARY	4000V, 60Hz, 1 SEC

REV.#	REVISION	DATE	HAMMOND MANUFACTURING™			ELECTRONIC DIVISION	
0	RELEASED.	C. I. 10/08/15	52 RANKIN PLACE, WATERLOO, ONTARIO, N2J 3Z5		PH # (519) 886-6181 FAX # (519) 886-9540		
			DWG. BY: C. ILIE DATE: 10/08/15	CHK'D BY: APP'D. BY: DIMENSIONS: IN(X) MM()	TITLE: POTENTIAL TRANSFORMER	DWG. NO. HX54A	