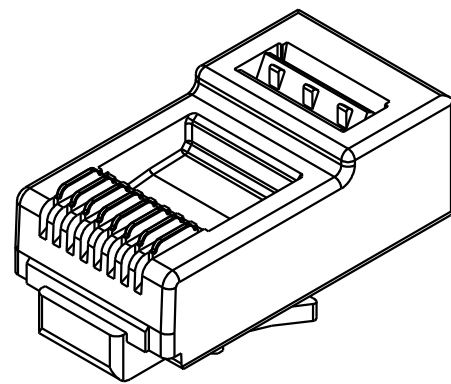
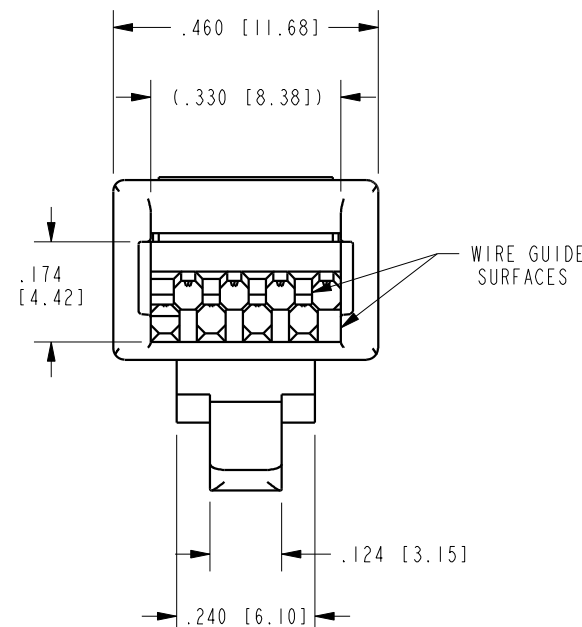
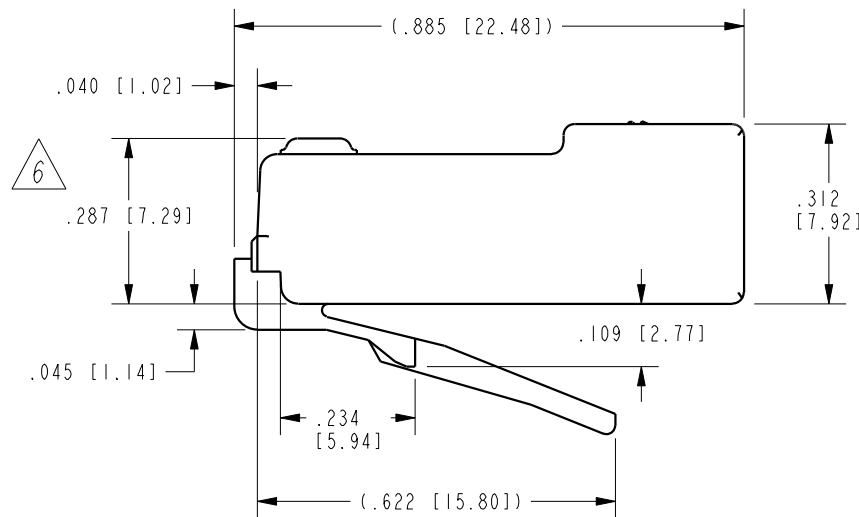
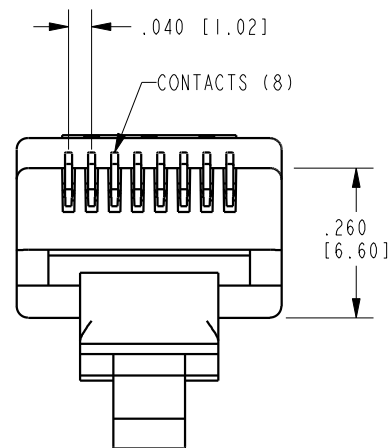
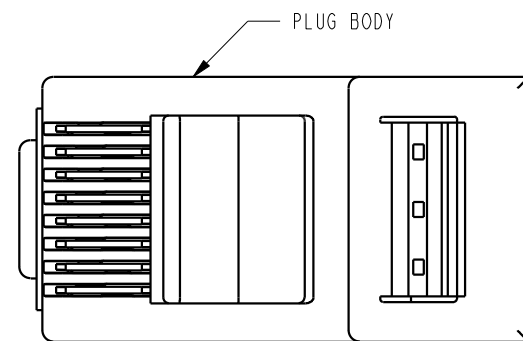


DATE	REV.	ECN	APP'D BY
6-29-06	A0	-	-
9-18-06	A1	7758	TRM
12-1-06	B0	7851	TRM
5-29-12	B1	9478	SMN
2-17-15	B2	10258	ADB



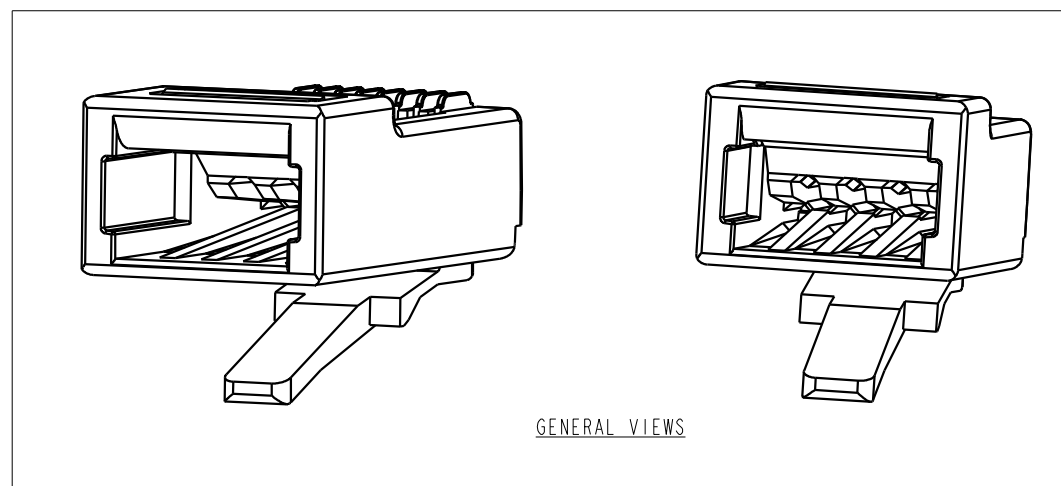
PLUG HOUSING
SCALE 2.5



NOTES:

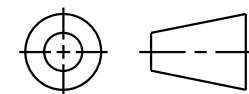
- PART CONSISTS OF:
PRE-INSERTED PLUG BODY
- MATERIALS:
FRONT HOUSING PLASTIC : CLEAR POLYCARBONATE, UL 94-V0
CONTACTS : PHOSPHOR BRONZE, SELECTIVE GOLD PLATING
- CONTACTS TERMINATE SOLID OR STRANDED CONDUCTORS BETWEEN .042 [1.07] TO .048 [1.22] OUTSIDE DIAMETER OF INSULATION
- DESIGNED FOR CATEGORY 5/5e APPLICATIONS.
- DIMENSIONS AND TOLERANCES COMPLY WITH TIA-1096 STANDARD.
- TERMINATED PLUG HEIGHT: .237 [6.02] ±.005 [0.13]
- FOR PRODUCT SPECIFICATION SEE PRO26-01.

BULK	50 MICRO-INCHES [1.27um]	SS-37000-009
PACKAGE	CONTACT PLATING IN MATING AREA	PART NUMBER



GENERAL VIEWS

THIRD ANGLE PROJECTION



11118 Susquehanna Trail South
Glen Rock, PA 17327-9199
(717) 235-7512

<http://www.stewartconnector.com>

DO NOT SCALE DRAWING

DRAWING IS SUBJECT TO
CHANGE WITHOUT NOTICE

DIMENSIONS: INCHES [METRIC]

UNLESS OTHERWISE SPECIFIED
TOLERANCES ARE ±.005 [0.13]
ANGLES ARE ±1°

SHEET NO.
1 OF 1

TITLE: UNSHIELDED CAT 5 PLUG

THIS DRAWING AND THE SUBJECT MATTER SHOWN THEREON ARE
CONFIDENTIAL AND THE PROPRIETARY PROPERTY OF STEWART CONNECTOR
AND SHALL NOT BE REPRODUCED, COPIED, OR USED IN ANY MANNER WITHOUT
PRIOR WRITTEN CONSENT OF STEWART CONNECTOR. THIS PRODUCT
MAY BE PROTECTED BY ONE OR MORE OF THE FOLLOWING US PATENTS:
5628647 6402559 6409535 6524128
7753717 8033863
OTHER PATENTS MAY BE PENDING.

DRN BY:	TRM	DATE	6-29-06
APPD BY:	DHG	DATE	6-29-06
DWG. NO.	CT370059	REV.	B2

