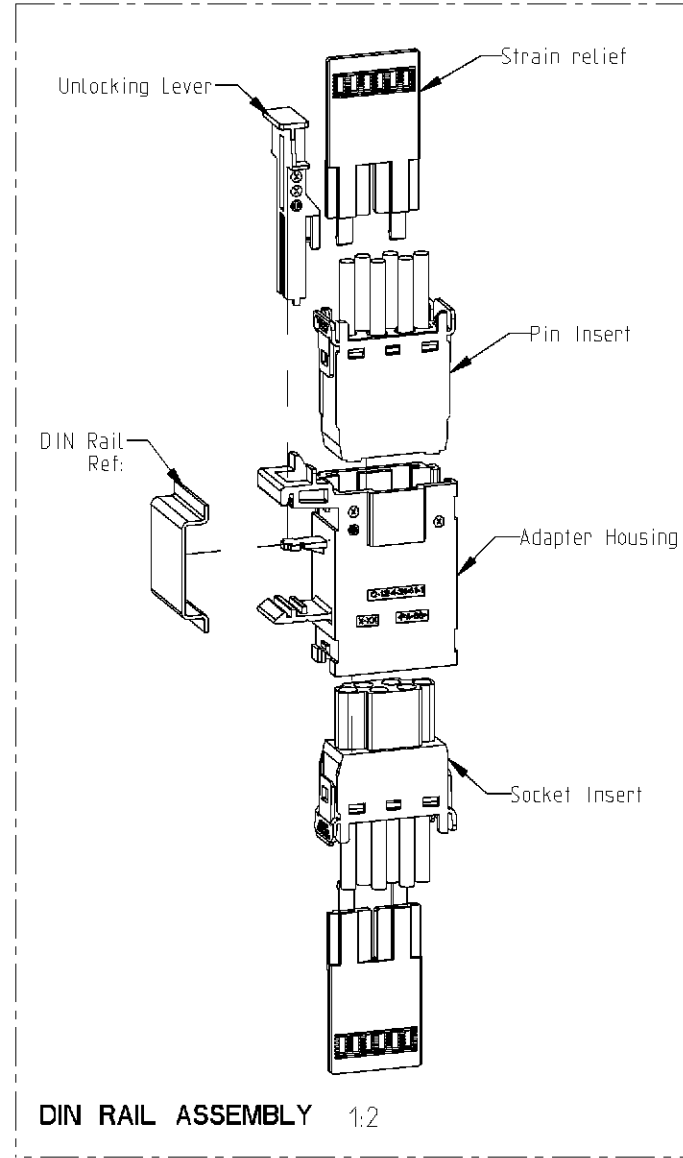
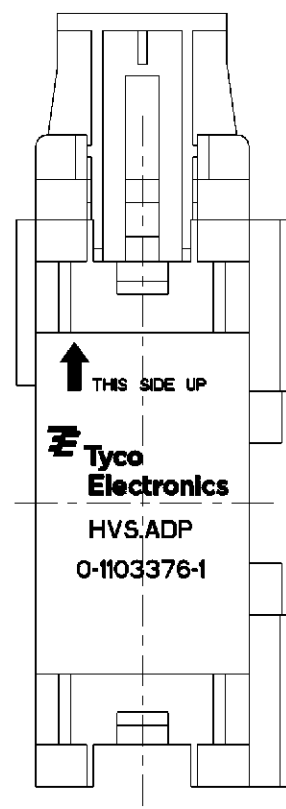
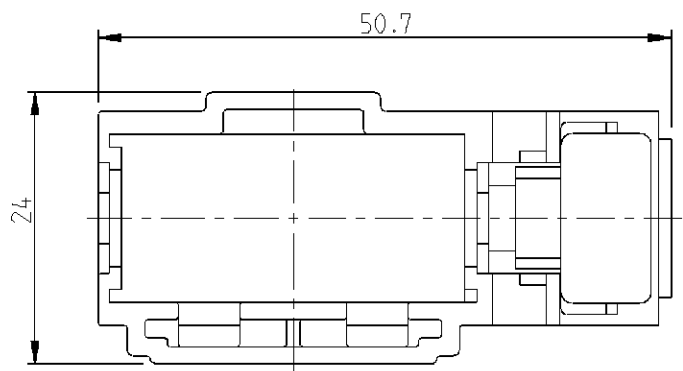
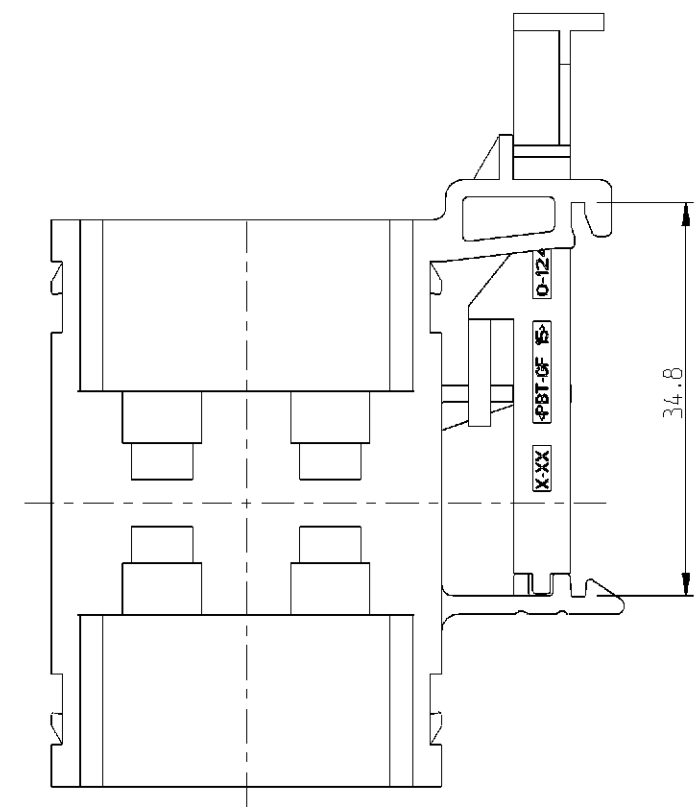
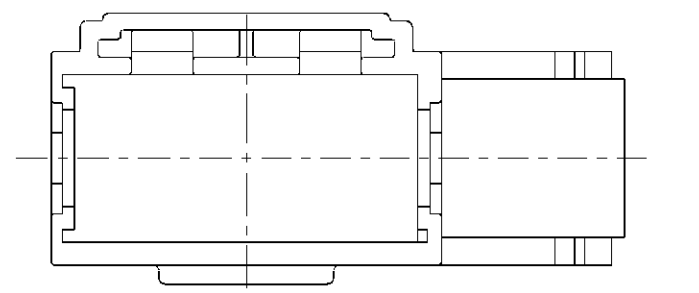


THIS DRAWING IS UNPUBLISHED. RELEASED FOR PUBLICATION

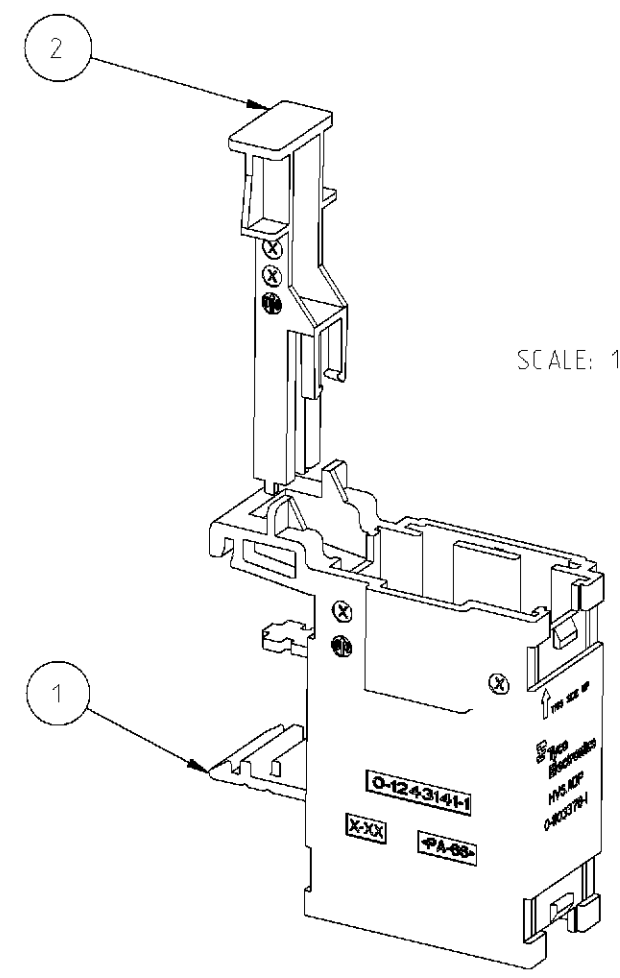
© COPYRIGHT 19 BY TYCO ELECTRONICS CORPORATION. ALL RIGHTS RESERVED.

LOC	DIST	REVISIONS			
P	LTR	DESCRIPTION	DATE	DWN	APVD
A1	-	C1 RELEASED AS PER ECR-07-023824	28-SEP-07	PB	ST

- NOTES:
- 1 PACKAGING QTY: 10 PCS. IN BOX
 - 2 SUITABLE CONNECTOR : HVS.HE.6.Sti/Bu.C
 - 3 STANDARDS:
DIN EN 61984; DIN EN 60664-1



DIN RAIL ASSEMBLY 1:2



SCALE: 1:1

PN: 0-1
ORDERING TEXT: HVS.ADP

QTY	DESCRIPTION	MATERIAL	SURFACE	COLOR	ITEM
1	UNLOCKING LEVER	PBT	VDI 3400-24	LIGHT GREY	2
1	ADAPTER HOUSING	PA-66	VDI 3400-24	LIGHT GREY	1

THIS DRAWING IS A CONTROLLED DOCUMENT FOR TYCO ELECTRONICS CORPORATION. IT IS SUBJECT TO CHANGE AND THE CONTROLLING ENGINEERING ORGANIZATION SHOULD BE CONTACTED FOR THE LATEST REVISION.

DIMENSIONS: mm	TOLERANCES UNLESS OTHERWISE SPECIFIED: DIN 8187 DIN 150 8015 DIN 150 2768 - MH - E DIN 16281 - 120
	0 PLC ±0.5 1 PLC ±0.13 2 PLC ±0.013 3 PLC ±0.0001 4 PLC ANGLES ±
MATERIAL	FINISH

DWN P. BENNUR 19-Jan-07	Tyco Electronics AMP GmbH D-53819 Neunkirchen	NAME HVS MODULE - HVS.ADP ADAPTER HOUSING ASSY	SIZE	CAGE CODE	DRAWING NO	RESTRICTED TO
CHK S. KUMAR 19-Jan-07			A3	00779	C=1103376	-
APVD T. SCHNURPFIL 19-Jan-07			CUSTOMER DRAWING			
PRODUCT SPEC 108-74093	SCALE 2:1		SHEET 1 OF 1	REV C1		
APPLICATION SPEC 114-74099						
WEIGHT						