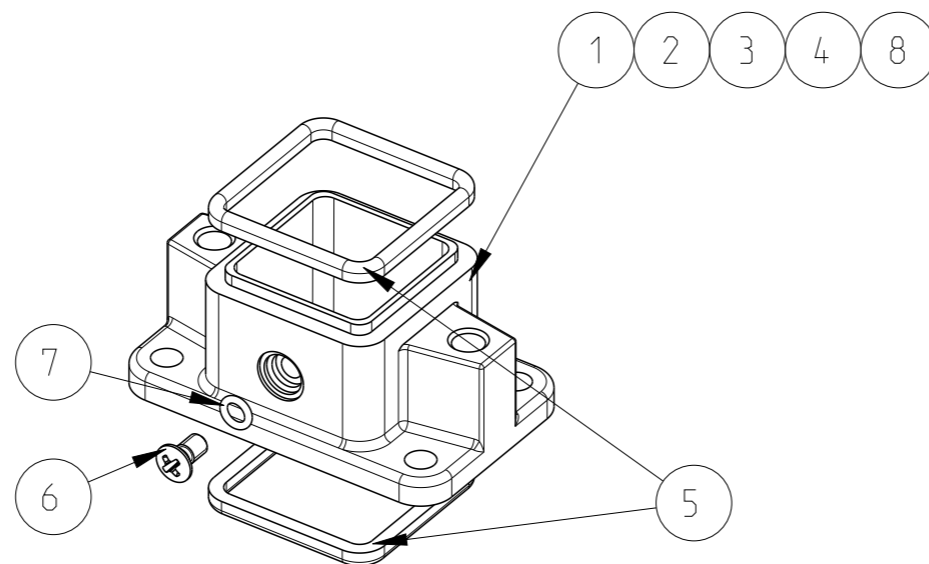
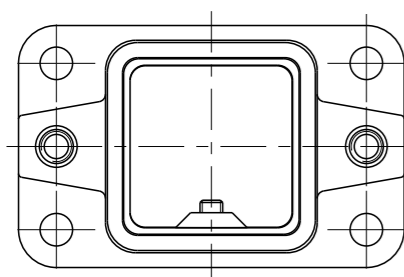
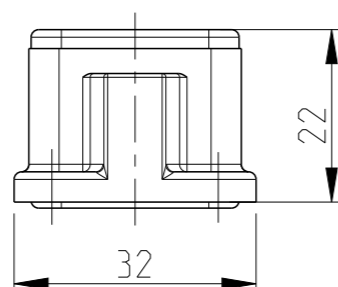
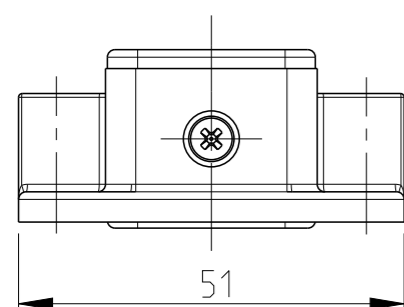


REVISIONS

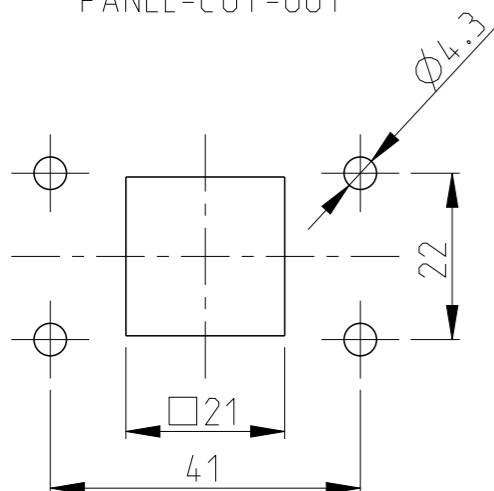
P	LTR	DESCRIPTION	DATE	DWN	APVD
A9		ECR-09-023155	22OCT2009	VG	AR
A10		ECR-10-009777	21MAY2010	SR	AR
A11		ECR-10-017493	31JAN2011	SR	AR
B		ECR-16-001977	04APR2016	GCM	JB

Notes

- 1 SUITABLE HOUSINGS: SERIES EMV, SIZE 1
CUSTOMER DRAWING 1106402, 1102700, 1106200
- 2 STANDARDS: DIN EN 61984, DIN EN 60664-1
- 3 SUR TEC 650 CHROMIT AL TCP PASSIVATION
- 4 PN 0-3 WITHOUT PROFILE SEAL ON CONNECTING SIDE
- 5 TOOL: PHILLIPS SCREWDRIVER PH1.
- 6 VARNISH ON INSIDE AREA NOT NECESSARY
- 7 PACKAGING: 10 SETS IN A CARTON



PANEL-CUT-OUT



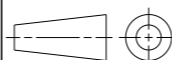
PN/QTY	DESCRIPTION	MATERIAL	COLOR/SURFACE	NOTE	ITEM
1	BULKHEAD HOUSING	ALU	BLACK	WITHOUT / LOGO	8
1	O - RING	NBR	BLACK	3.0x1.0	7
1	SREW COUNTERSUNK RAISED HEAD	STAINL. STEEL V2A	-	M3x6 PH1 DIN EN ISO 7047	6
2	PROFILE SEAL	FKM	BLACK	SERIES EMV / HIP	5
1	BULKHEAD HOUSING	ALU	BLACK, SEE NOTE 3	SERIES EMV	4
-	BULKHEAD HOUSING	ALU	GREY	SERIES EMV	3
-	BULKHEAD HOUSING	ALU	WITHOUT VARNISH	SERIES EMV	2
-	BULKHEAD HOUSING	ALU	SILVER, SEE NOTE 3	SERIES EMV	1

PARTS LIST (PER ONE UNIT)

0-1102703-3	EMV-K.3/4.AG-S0
4-1102703-5	EMV-K.3/4.AG
3-1102703-5	EMV.3/4.AG
0-1102703-2	EMV.3/4.AG
0-1102703-1	EMV-K.3/4.AG
PART NO.	ORDERING TEXT

THIS DRAWING IS A CONTROLLED DOCUMENT.

DIMENSIONS:
mm



MATERIAL

TOLERANCES UNLESS OTHERWISE SPECIFIED:

0 PLC ±
1 PLC ±
2 PLC ±
3 PLC ±
4 PLC ±
ANGLES ±1°
FINISH -

DWN V.GLUMM 18AUG2009
CHK H.Braun 18AUG2009
APVD T.Schnurpfeil 18AUG2009
PRODUCT SPEC
APPLICATION SPEC
WEIGHT -

NAME BULKHEAD HOUSING ASS'Y, BOTTOM ENTRY
SERIES EMV, SIZE 1

SIZE A3 CAGE CODE 00779 DRAWING NO C-1102703 RESTRICTED TO -

CUSTOMER DRAWING SCALE 1:1 SHEET 1 OF 1 REV B

