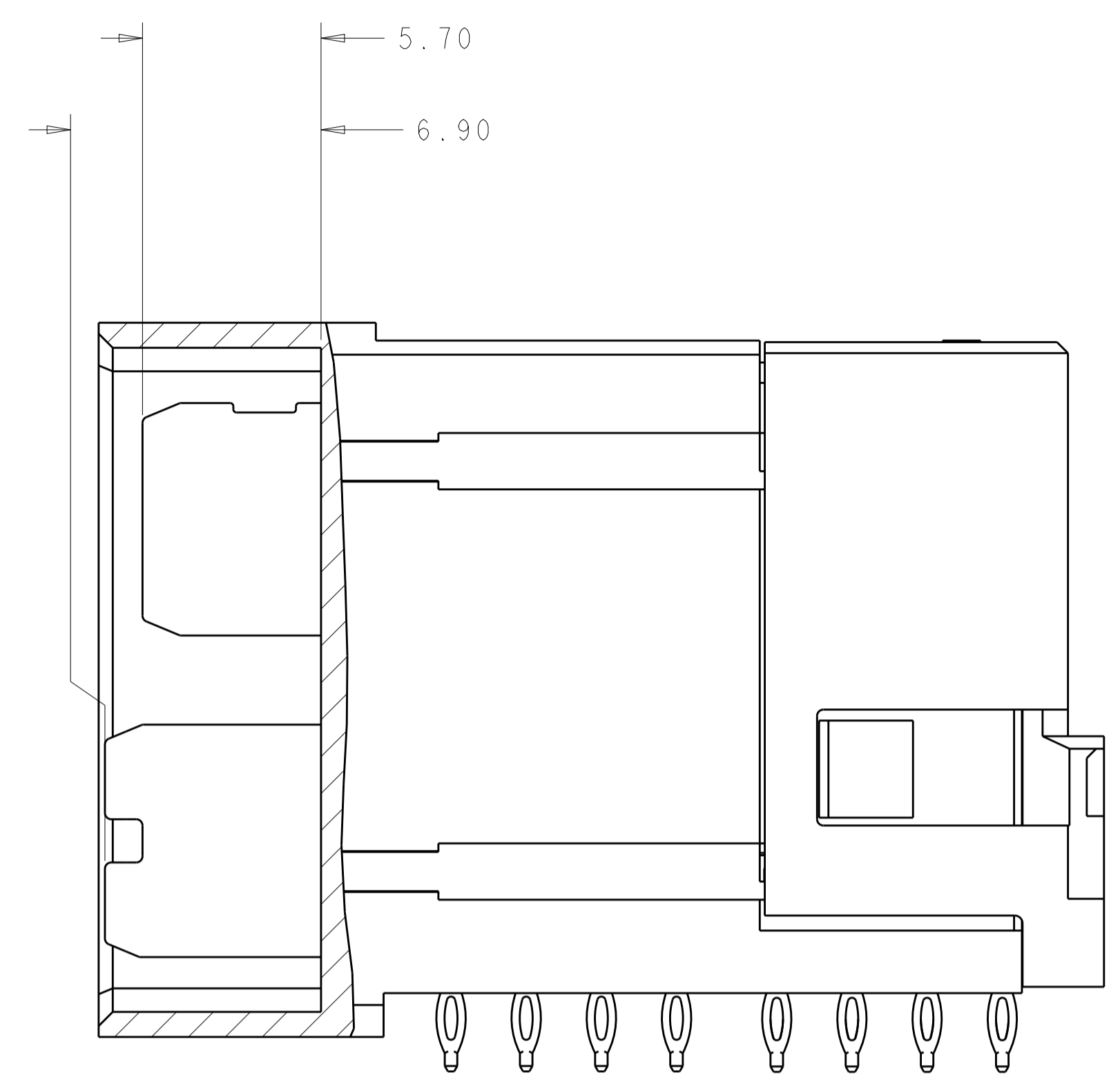
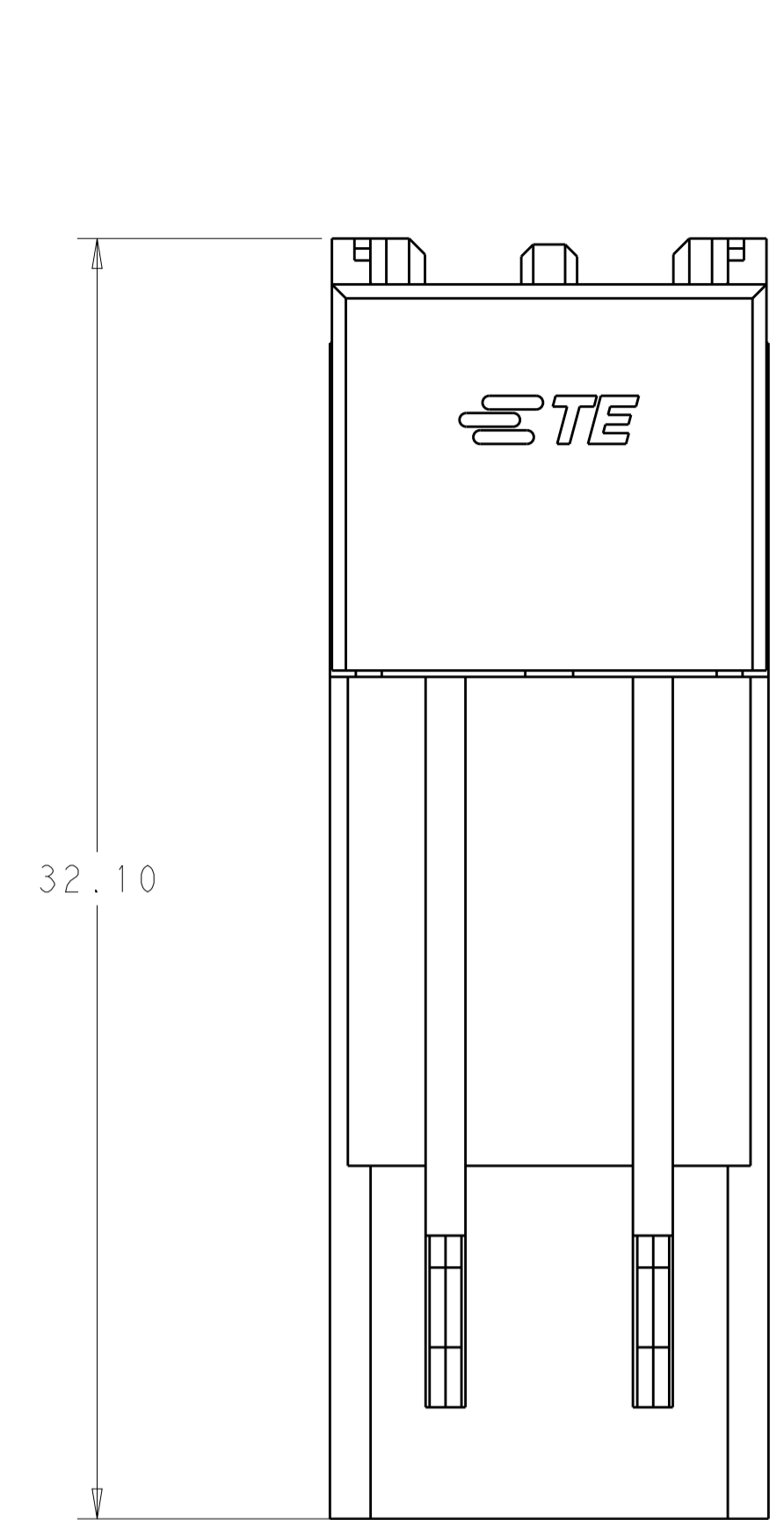
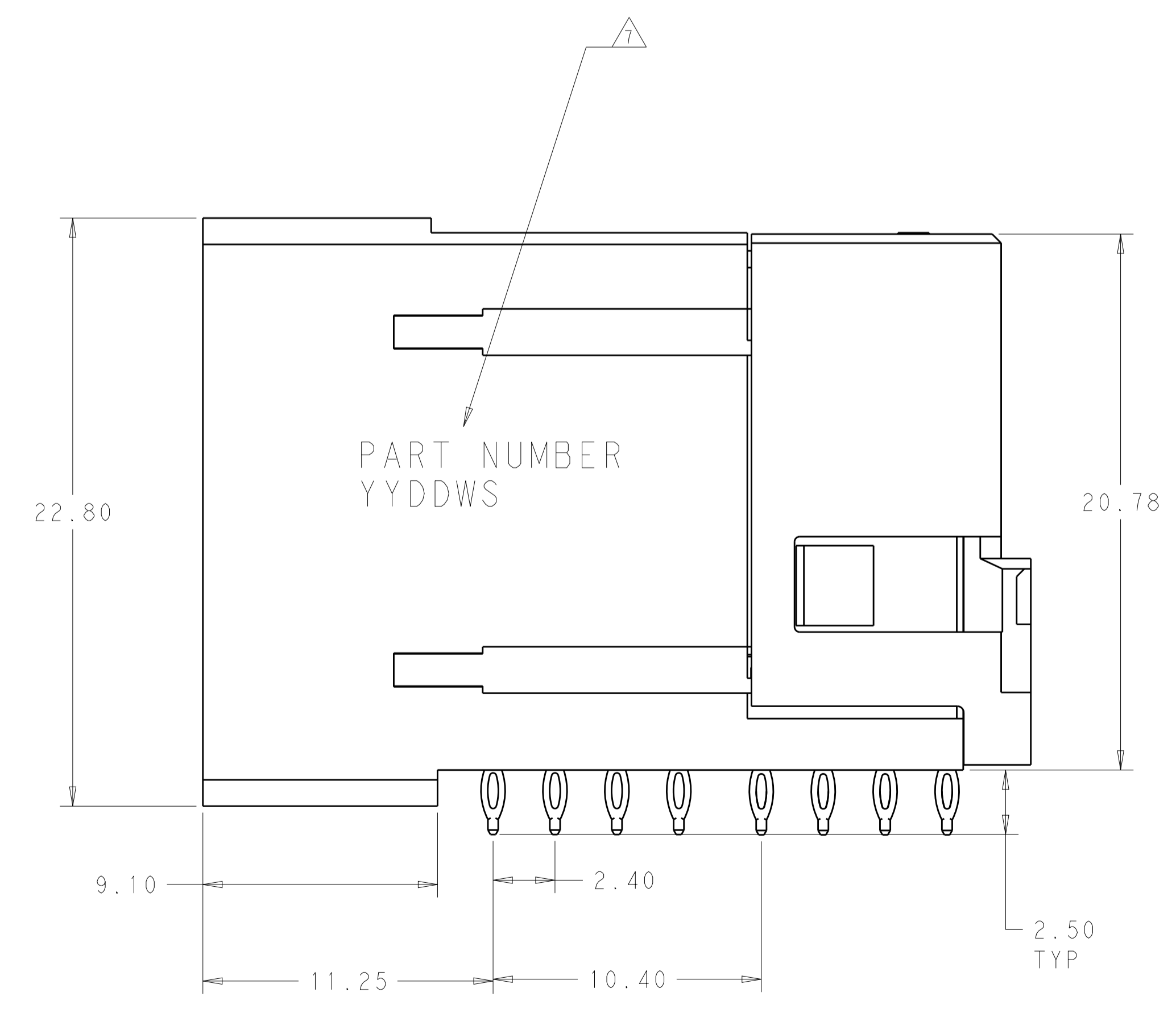
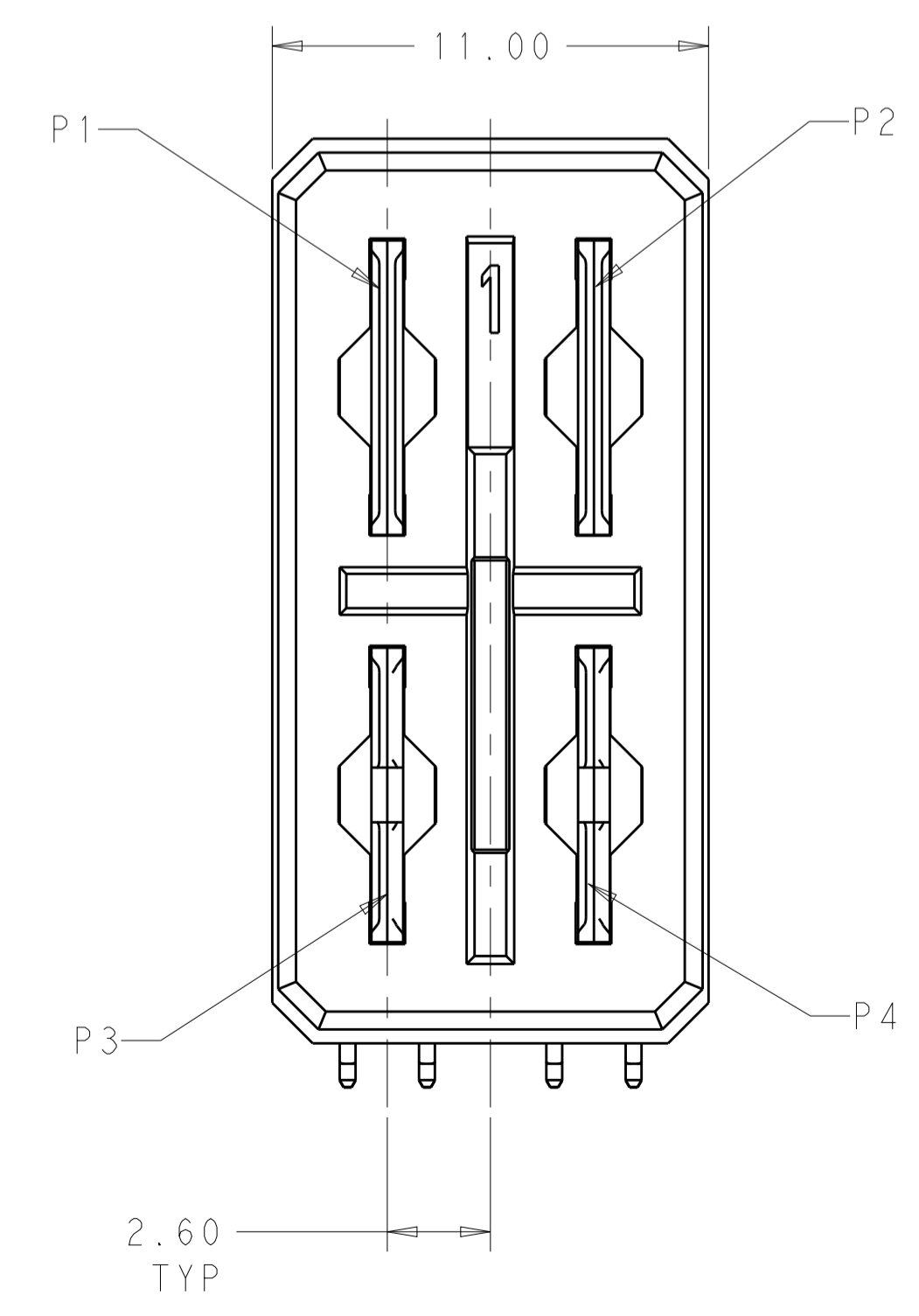


LOC	DIST	REVISIONS			
P	LTN	DESCRIPTION	DATE	DMN	APVD
A		INITIAL RELEASE	12JUN2012	LW	AC
B		PER ECR-15-015254	04NOV2015	DS	FY



DETAIL FOR CONTACT BLADE

- NOTES:
 1. MATERIALS:
 HOUSING: HIGH TEMP. THERMOPLASTIC GLASS/MINERAL FILLED UL94V-0
 TERMINAL: COPPER ALLOY
 FINISH:
 △ TIN OPTION-0.76um MIN GOLD AT CONTACT AREA AND
 1.27um MIN NICKEL UNDERPLATED OVER ALL
 2.54um TIN AT SOLDER TAIL AREA
 TIN-LEAD OPTION-0.76um MIN GOLD AT CONTACT AREA AND
 1.27um MIN NICKEL UNDERPLATED OVER ALL
 2.54um TIN-LEAD AT SOLDER TAIL AREA
 3. PCB NOTE FOR DIAMETER 0.725MM PLATED HOLE.
 -DRILLED HOLE SIZE IS 0.838MM
 -PLATED WITH 0.007MM MIN. TIN OVER
 0.03 TO 0.08MM COPPER UNDERPLATE TO ACHIEVE
 0.725±0.075MM HOLE.
 4. CONNECTOR WERE PACKED BY TRAY
 5. REFER TO TE'S PRODUCT SPECIFICATION: 108-2473
 FOR TORQUE FORCE AND RETENTION FORCE
 6. MATED WITH 2169859-*
- △ PART NUMBER AND DATE CODE AT ASSEMBLY AREA AS APPROXIMATE SHOWN.
 8. COMPONENT PLACEMENT ZONE

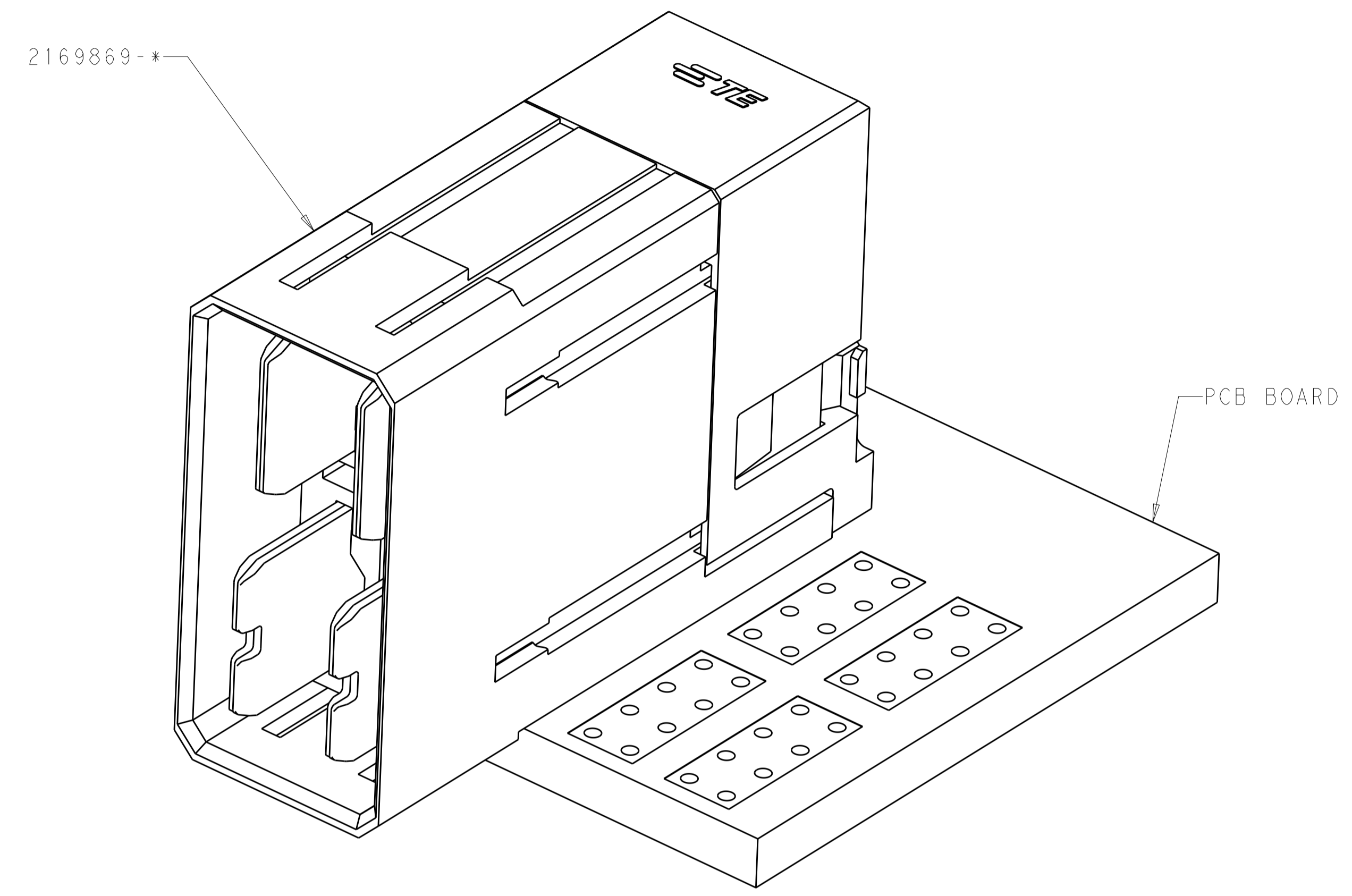


PART NUMBER
YYDDWS

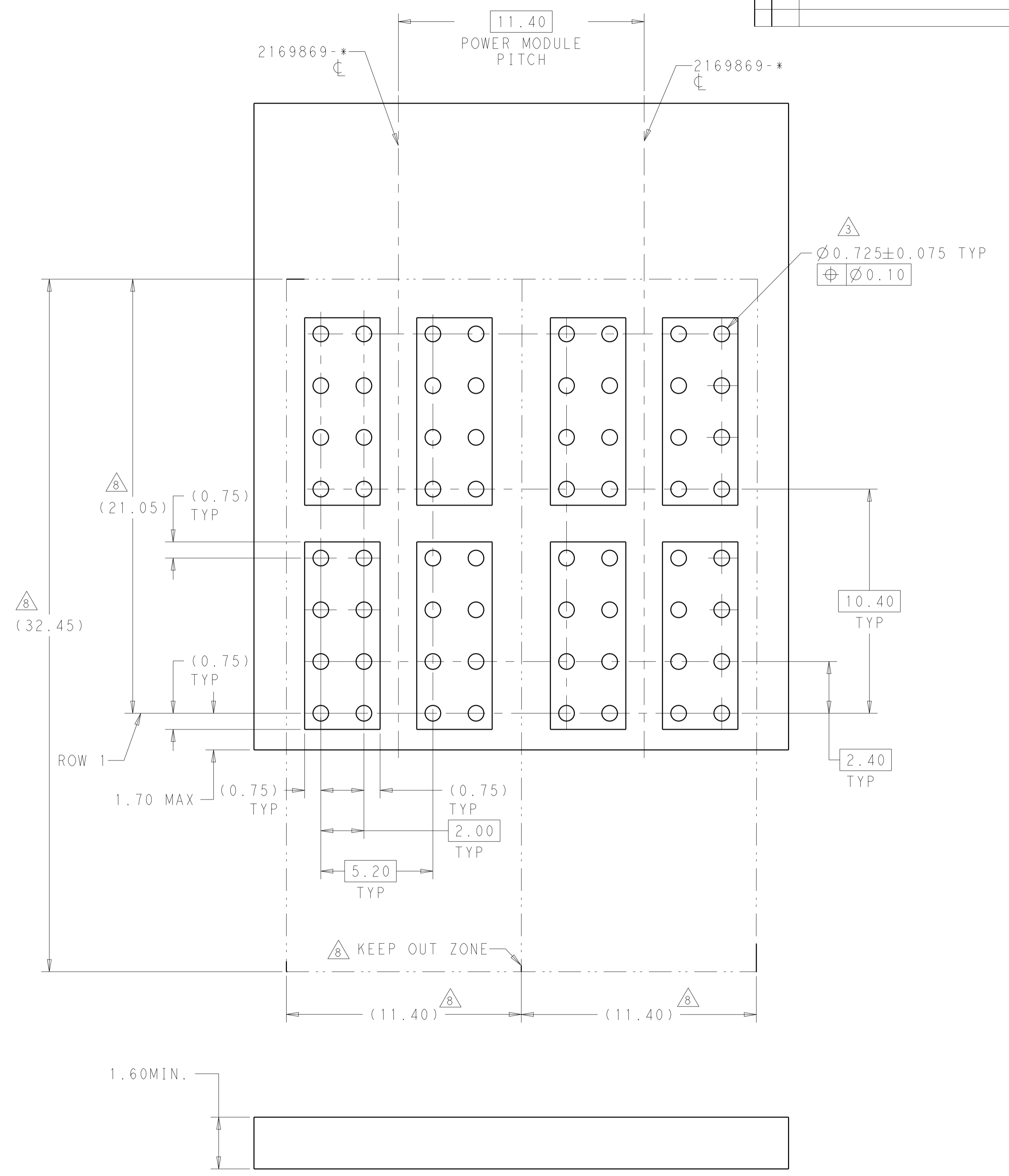
TRAY	TIN PLATING	5.70	5.70	5.70	6.90	2-2169869-2
		6.90	6.90	6.90	6.90	2169869-1
OBSOLETE	TIN-LEAD PLATING	5.70	5.70	5.70	5.70	2169869-2
		6.90	6.90	5.70	5.70	2169869-3
		5.70	5.70	6.90	6.90	2169869-4
		6.90	6.90	6.90	6.90	5-2169869-1
PACKAGING	PLATING OPTION	P1	P2	P3	P4	PART NUMBER
		PIN LENGTH				

DIMENSIONS: mm 0 PLC ±.1 1 PLC ±.15 2 PLC ±.25 3 PLC ±.3 4 PLC ±.4 ANGLES ±.5° FINISH △		TOLERANCES UNLESS OTHERWISE SPECIFIED: ±.1 ±.15 ±.25 ±.3 ±.4 ±.5°		DWN LERRY_WANG 05MAY2011 CHK SUNY_ZHAO 05MAY2011 APVD SUNY_ZHAO 05MAY2011 NAME SUNY_ZHAO 05MAY2011		PRODUCT SPEC 108-2473 APPLICATION SPEC 114-32028 WEIGHT CUSTOMER DRAWING		ASSEMBLY IMPACT POWER 5PAIR R/A HEADER PRESS-FIT		SIZE A1 CAGE CODE 00779 DRAWING NO. C=2169869 SCALE 6:1 SHEET 1 OF 2 REV B	
--	--	---	--	---	--	---	--	--	--	---	--

LOC	DIST	REVISIONS			
P	LTN	DESCRIPTION	DATE	DMN	APVD
GP	00	SEE SHEET 1	-	-	-



CONNECTOR MATED WITH PCB



PCB LAYOUT FOR 5PAIR R/A HEADER POWER MODULE
 (COMPONENT SIDE SHOWN)

DIMENSIONS: mm 		TOLERANCES UNLESS OTHERWISE SPECIFIED: 0 PLC ±.2 1 PLC ±.25 2 PLC ±.3 3 PLC ±.4 4 PLC ±.5 ANGLES ±.5° FINISH		DWN LERRY WANG 05MAY2011 CHK SUNY ZHAO 05MAY2011 APVD SUNY ZHAO 05MAY2011 NAME PRODUCT SPEC 108-2473 APPLICATION SPEC 114-32028 WEIGHT CUSTOMER DRAWING		NAME ASSEMBLY IMPACT POWER 5PAIR R/A HEADER PRESS-FIT SIZE A1 CAGE CODE 00779 DRAWING NO 2169869		RESTRICTED TO SCALE 6:1 SHEET 2 OF 2 REV B	
-----------------------	--	---	--	--	--	---	--	---	--