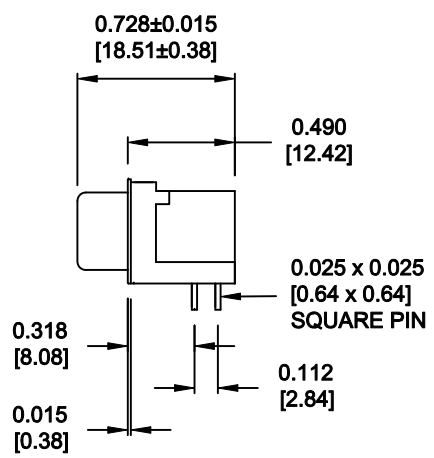
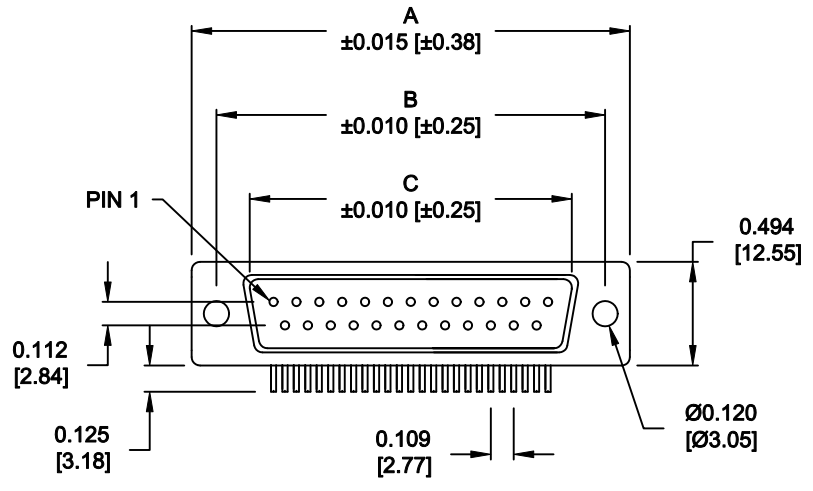
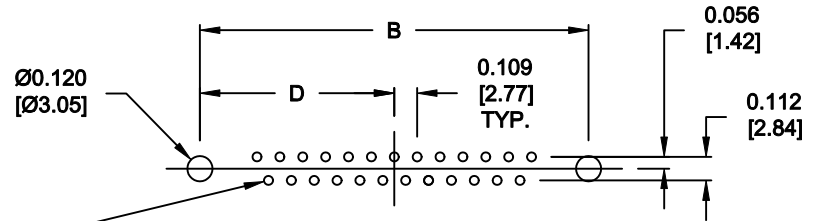
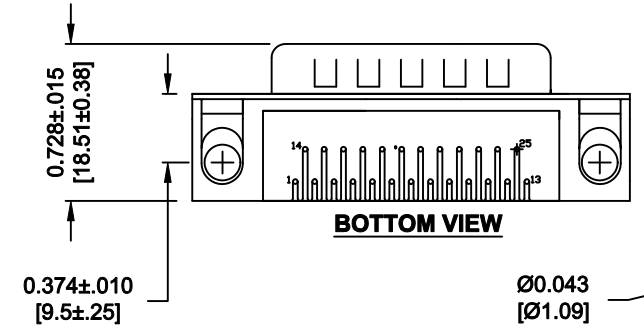


DESCRIPTION: IP66 - R/A - 0.318 - MALE - ECONOMY - D SUB

25-PIN SHOWN



No. OF PINS	DIMENSIONS			
	A	B	C	D
009	1.213	0.984	0.666	0.492
	30.80	24.99	16.92	12.50
015	1.541	1.312	0.994	0.656
	39.14	33.32	25.25	16.66
025	2.088	1.852	1.534	0.926
	53.04	47.04	38.96	23.52



RECOMMENDED PCB LAYOUT

MEETS IP66 STANDARDS
(SEE PAGE 2 FOR SEALING DETAILS)

682-YYY-1 1 3RYY 1

SERIES
No. of POSITIONS
GENDER
1 = MALE
TERMINATION
1 = PC MOUNT
SHELL PLATING
3 = NICKEL
HARDWARE OPTIONS
SEE PAGE 2
PLATING OPTIONS
1 = GOLD FLASH
2 = 30u" GOLD

MATERIAL:

- SHELL: SPCC, NICKEL PLATED
- INSULATOR: UL 94V-O RATED, BLACK, 260° PA9T
- CONTACT: BRASS, GOLD PLATED
- RIVET: COPPER ALLOY, NICKEL PLATED
- SCREWLOCK: ZINC ALLOY, NICKEL PLATED
- BOARDLOCK: SPCC, TIN PLATED
- SEALING MATERIAL: F08 FLEXIBLE ADHESIVE

ELECTRICAL:

- CURRENT RATING: 5 AMPS
- DIELECTRIC STRENGTH: 1,000VAC rms
- INSULATION RESISTANCE: 1,000 MOHMS Min
- TEMPERATURE: -55°C TO +105°C
- CERTIFICATION: UL RECOGNIZED TO CATEGORY CODE ECBT2

GENERAL TOLERANCES
±0.006 [0.15]
HOLE : ±0.005 [0.13]

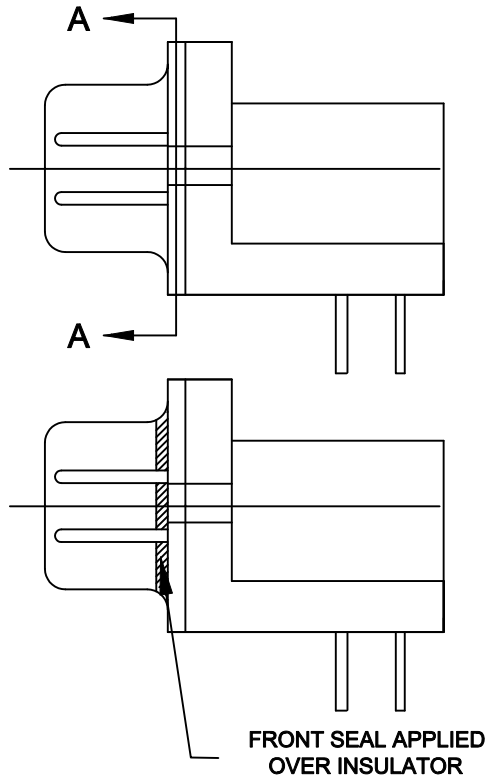
DO NOT SCALE FROM DRAWING

RoHS COMPLIANT

	THESE DRAWINGS AND SPECIFICATIONS ARE THE PROPERTY OF NorComp AND SHALL NOT BE REPRODUCED, COPIED OR USED AS THE BASIS FOR THE MANUFACTURE OF SALE OF APPARATUS WITHOUT WRITTEN PERMISSION.		DRAWN: M. SIGMON	DATE: 02-24-12
			CHECKED:	DATE:
<h1>NorComp</h1>		SCALE: 1 : 1	SHEET 1 OF 2	REV 0
		DWG NO. 682-YYY-113RYY1		

DESCRIPTION: IP66 - RIGHT ANGLE HARDWARE OPTIONS

SEALING PROCESS



DETAIL A-A

HARDWARE OPTIONS

	0.141 ± 0.020 METAL SHELL WITH INSIDE GROUND STRAPS	 METAL SHELL FORK BOARD LOCKS
 4-40 FLUSH INSERT	17	53 BOARD LOCKS IN HOLE

DO NOT SCALE FROM DRAWING



THESE DRAWINGS AND SPECIFICATIONS ARE THE PROPERTY OF NorComp AND SHALL NOT BE REPRODUCED, COPIED OR USED AS THE BASIS FOR THE MANUFACTURE OF SALE OF APPARATUS WITHOUT WRITTEN PERMISSION.

DRAWN: **M. SIGMON**

DATE: **02-24-12**

CHECKED:

DATE:

NorComp

SCALE: 1:1 SHEET 2 OF 2 REV 0

DWG NO. **682-YYY-113RYY1**

RoHS COMPLIANT