

INTERCONNECTS

SERIES 800 & 801 • .100" GRID (.030" DIA. PINS), SOLDERLESS PRESS-FIT • SINGLE ROW STRIPS

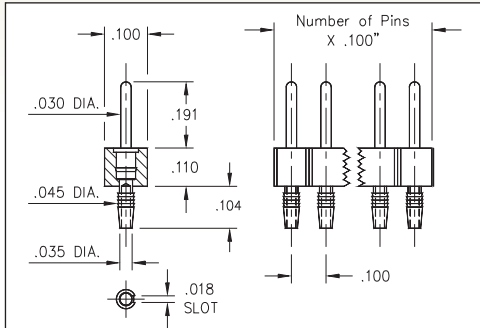


FIG. 1

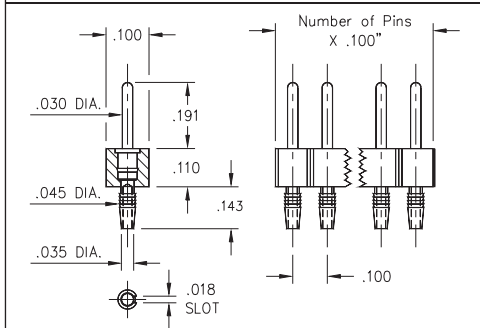


FIG. 2

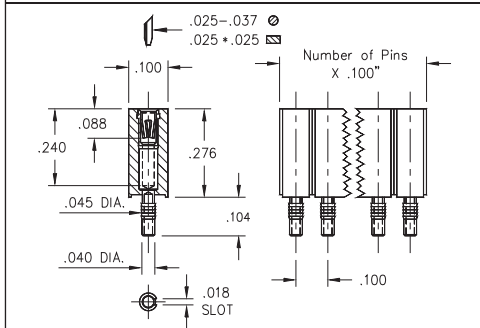


FIG. 3

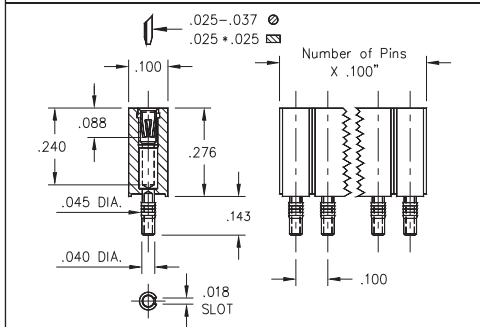
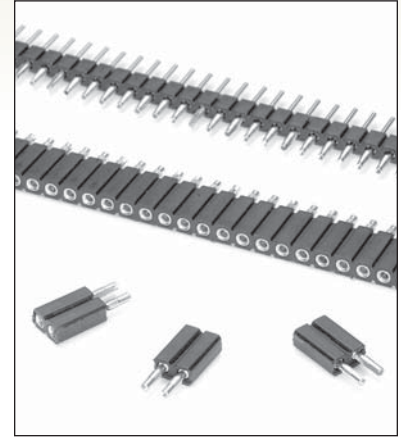


FIG. 4

- The unique compliant tail pins conform to $.040" \pm .003"$ finished hole without stressing inner layers. Patent No. 4,799,904
- Headers and sockets are available for board thicknesses of $.060" - .100"$ and $.090" - .130"$. See ordering information for details
- Series 800 pin headers use MM #5601 and #5602 compliant tail pins featuring a $.030"$ dia. mating lead. See page 220 for details
- Series 801 sockets MM #4614 or #4615 use Hi-Rel, 6-finger BeCu #47 contact rated at 4.5 amps. Receptacles accept $.030"$ diameter pins & $.025"$ square pins. See pg. 256 for details
- Insulators are high temperature thermoplastic



ORDERING INFORMATION

FIG. 1	Compliant Tail Pin Header for .060" - .100" Thick Boards			
	800-XX-0__-61-001000 Specify number of pins 01-64			
FIG. 2	Compliant Tail Pin Header for .090" - .130" Thick Boards			
	800-XX-0__-62-001000 Specify number of pins 01-64			
XX=Plating Code See Below For Electrical, Mechanical & Environmental Data, See page 264				
SPECIFY PLATING CODE XX=				
Pin Plating				
	10	90	40	
	$10 \mu\text{Au}$	$200 \mu\text{Sn/Pb}$	$200 \mu\text{Sn}$	

FIG. 3	Compliant Tail Socket for .060" - .100" Thick Boards				
	801-XX-0__-61-001000 Specify number of pins 01-50				
FIG. 4	Compliant Tail Socket for .090" - .130" Thick Boards				
	801-XX-0__-62-001000 Specify number of pins 01-50				
XX=Plating Code See Below For Electrical, Mechanical & Environmental Data, See page 264					
SPECIFY PLATING CODE XX=					
Sleeve (Pin)					
Contact (Clip)					
	91	93	99	41	43
	$200 \mu\text{Sn/Pb}$	$200 \mu\text{Sn/Pb}$	$200 \mu\text{Sn/Pb}$	$200 \mu\text{Sn}$	$200 \mu\text{Sn}$
	$10 \mu\text{Au}$	$30 \mu\text{Au}$	$100 \mu\text{Sn/Pb}$	$10 \mu\text{Au}$	$30 \mu\text{Au}$

