



4600X Series

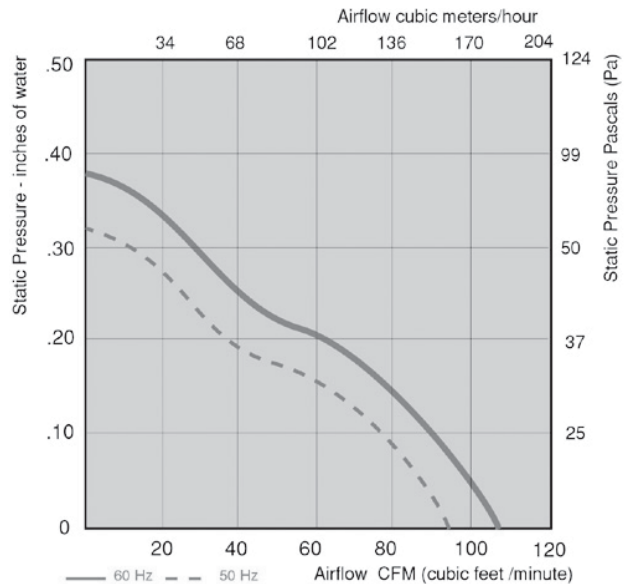
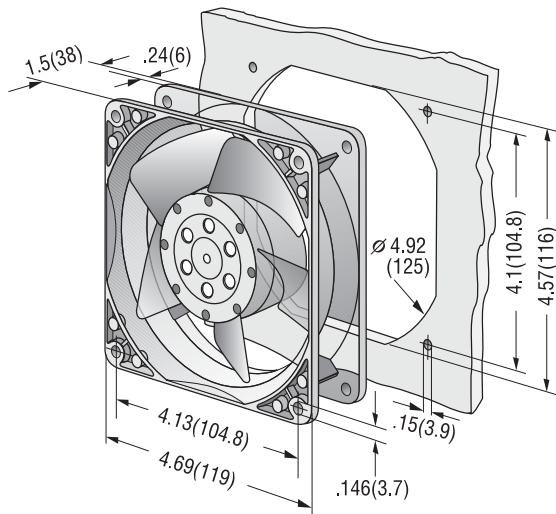
Tubeaxial

119x119x38mm

- AC fans with external rotor shaded-pole motor. Impedance protected against overloading.
- Metal fan housing and impeller.
- Air intake over struts. Rotational direction CW looking at rotor.
- Mounting: Either face using four 3.7mm (.146") holes.
- Electrical connection: Terminals with 2 flat pins 2.8 x 0.5 mm.
- Fan housing with ground lug for screw M4 and UNC.
- UL, CSA, VDE approvals on some models, please contact application engineering.

Part Number	CFM @ 0	VAC	Hertz	Power (W)	dBA	Max Amb. Temp. C	Bearing Type	Features	Wgt. (lbs)
4600X	106	115	50/60	18	50	60	Sintec	Terminals	1.19
4600XP	106	115	50/60	18	50	60	Sintec	Terminals	1.19
4606X	106	115	50/60	18	51	90	Ball	Terminals	1.19
4650X	106	230	50/60	18	50	60	Sintec	Terminals	1.19
4656X	106	230	50/60	18	51	90	Ball	Terminals	1.19

Note: 4600XP has a 5 year warranty.



ebmpapst

e-mail: sales@us.ebmpapst.com · TEL: 860-674-1515 · FAX: 860-674-8536

ebm-papst Inc., 100 Hyde Road, Farmington, CT 06034 USA

ebm-papst Inc., 2004 © ebm-papst Inc. reserves the right to change any specifications or data without notice