

DA5-050 Series

5 Watts

Data Sheet

Total Power: 5 Watts
Input Voltage: 100 - 240 Vac
of Outputs: Single

SPECIAL FEATURES

- Small size 44 x 39.5 x 25 mm excluding AC pins
- High average loading efficiency 76%
- USB connector output
- -10 °C to +40 °C operating temperature range
- Protections: overvoltage, overtemperature, overcurrent, short circuit
- Reinforced isolation 3000 Vac rms
- European CoC v5 T2 & US DoE VI Compliant
- EN60950-1 Safety Standard
- One year warranty

SAFETY

- cUL/UL 60950-1
- IEC/EN 60950-1
- CCC
- CE
- GS
- Designed to meet:
 - NOM-NYCE
 - SPRING
 - IRAM
 - C-Tick
 - NSW



Electrical Specifications

Input	
Input voltage range	90 - 264 Vac (100 - 240 Vac nominal)
Frequency	47 - 63 Hz (50 / 60 Hz nominal)
Input current (max)	200 mA
Leakage current	80 µA
No load power	<75 mW
Output	
Maximum power	5 W
Output voltage	5 V
Hold-up time	10 ms typical 115 Vac at full load

Environmental Specifications

Operating temperature	-10 °C to +40 °C
Storage temperature	-40 °C to +85 °C
Electromagnetic susceptibility	EM55022, FCC Part 15
Humidity	Non-condensing 5% to 95% RH
MTBF	>100,000 hours at full load and 25 °C ambient

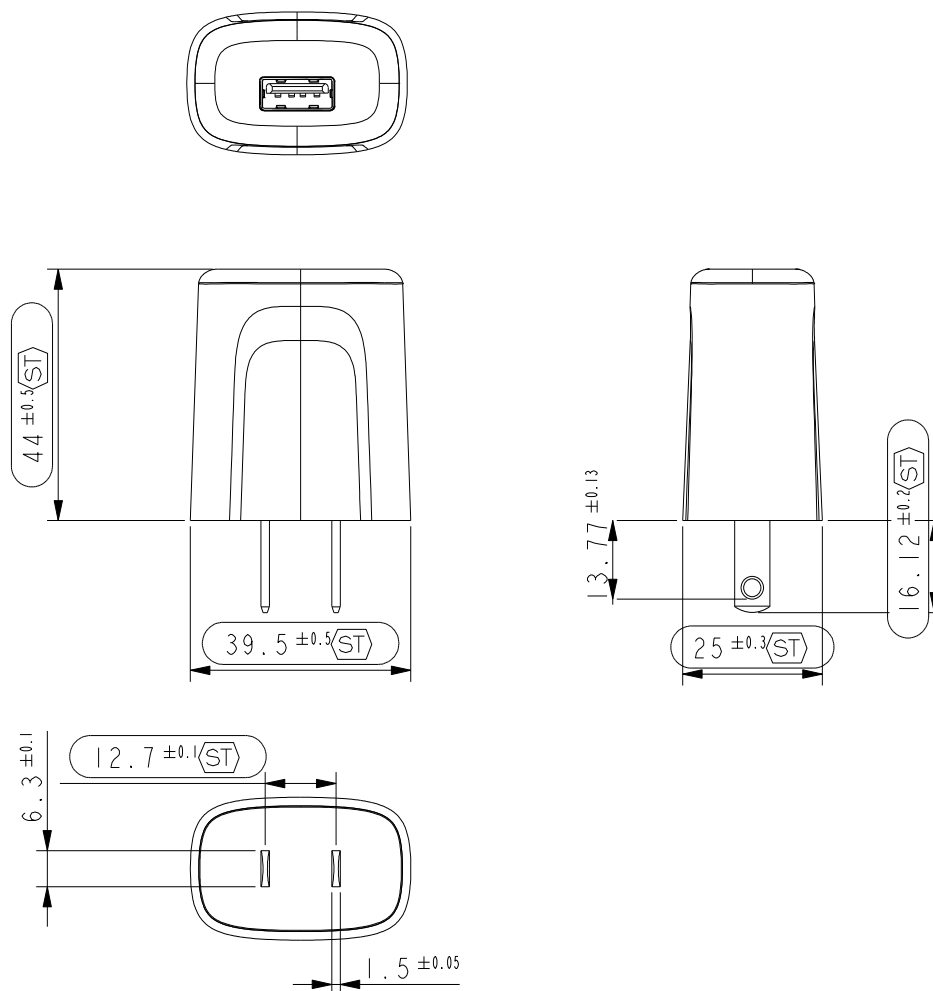
Ordering Information

Model Number	Input Voltage Range	Output Voltage	Minimum Load	Maximum Load
DA5-050US-B/-W	90 - 264 Vac	5 V	0 A	1 A
DA5-050CH-B	90 - 264 Vac	5 V	0 A	1 A
DA5-050EU-B	90 - 264 Vac	5 V	0 A	1 A
DA5-050UK-B	90 - 264 Vac	5 V	0 A	1 A

-B = Black

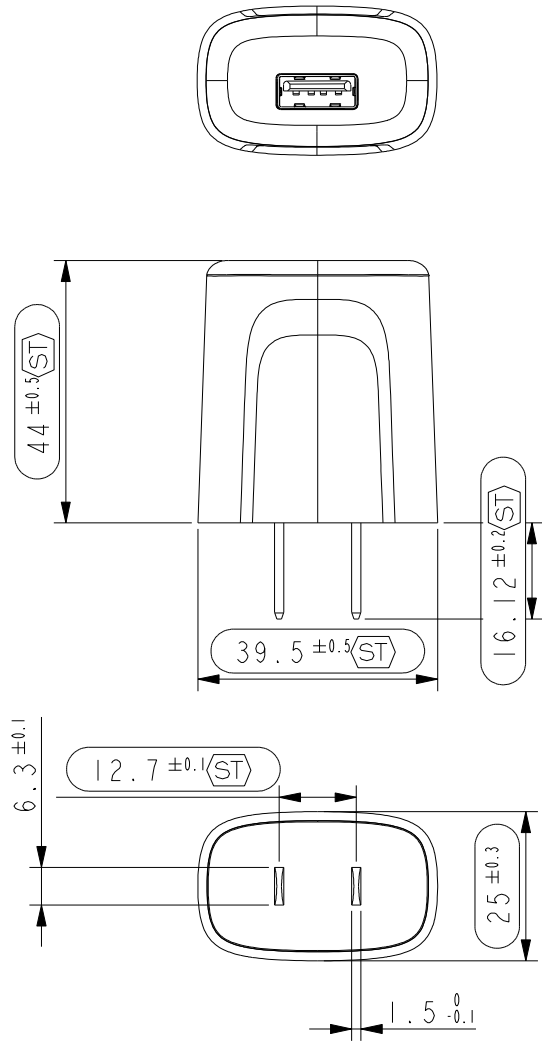
-W = White

Mechanical Drawings - DA5-050 US



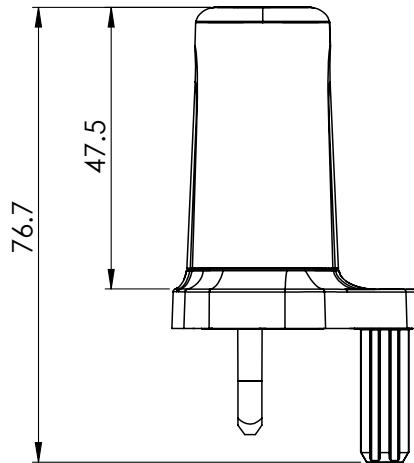
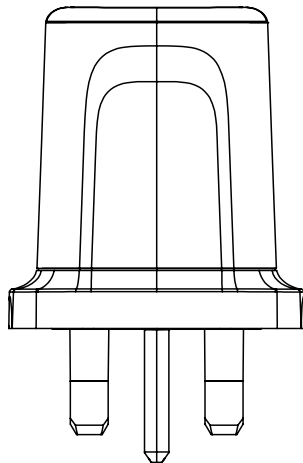
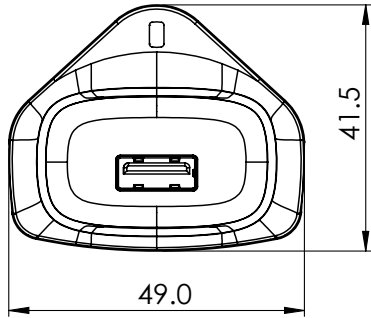
Note: All dimensions in mm.

Mechanical Drawings - DA5-050CH



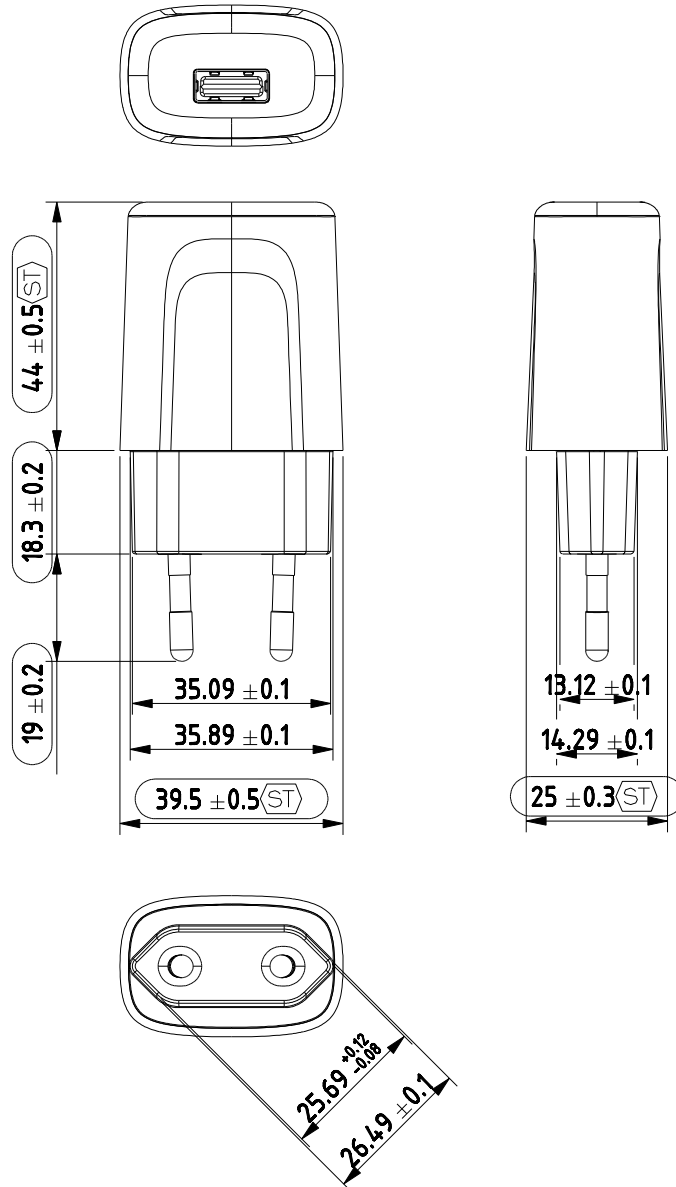
Note: All dimensions in mm.

Mechanical Drawings - DA5-050UK



Note: All dimensions in mm.

Mechanical Drawings - DA5-050EU



Note: All dimensions in mm.

WORLDWIDE OFFICES

Americas

2900 S.Diablo Way
 Tempe, AZ 85282
 USA
 +1 888 412 7832

Europe (UK)

Waterfront Business Park
 Merry Hill, Dudley
 West Midlands, DY5 1LX
 United Kingdom
 +44 (0) 1384 842 211

Asia (HK)

14/F, Lu Plaza
 2 Wing Yip Street
 Kwun Tong, Kowloon
 Hong Kong
 +852 2176 3333



www.artesyn.com

Artesyn Embedded Technologies, Artesyn and the Artesyn Embedded Technologies logo are trademarks and service marks of Artesyn Embedded Technologies, Inc. All other names and logos referred to are trade names, trademarks, or registered trademarks of their respective owners. © 2016 Artesyn Embedded Technologies, Inc. All rights reserved. For full legal terms and conditions, please visit www.artesyn.com/legal

For more information: www.artesyn.com/power
 For support: productsupport.ep@artesyn.com