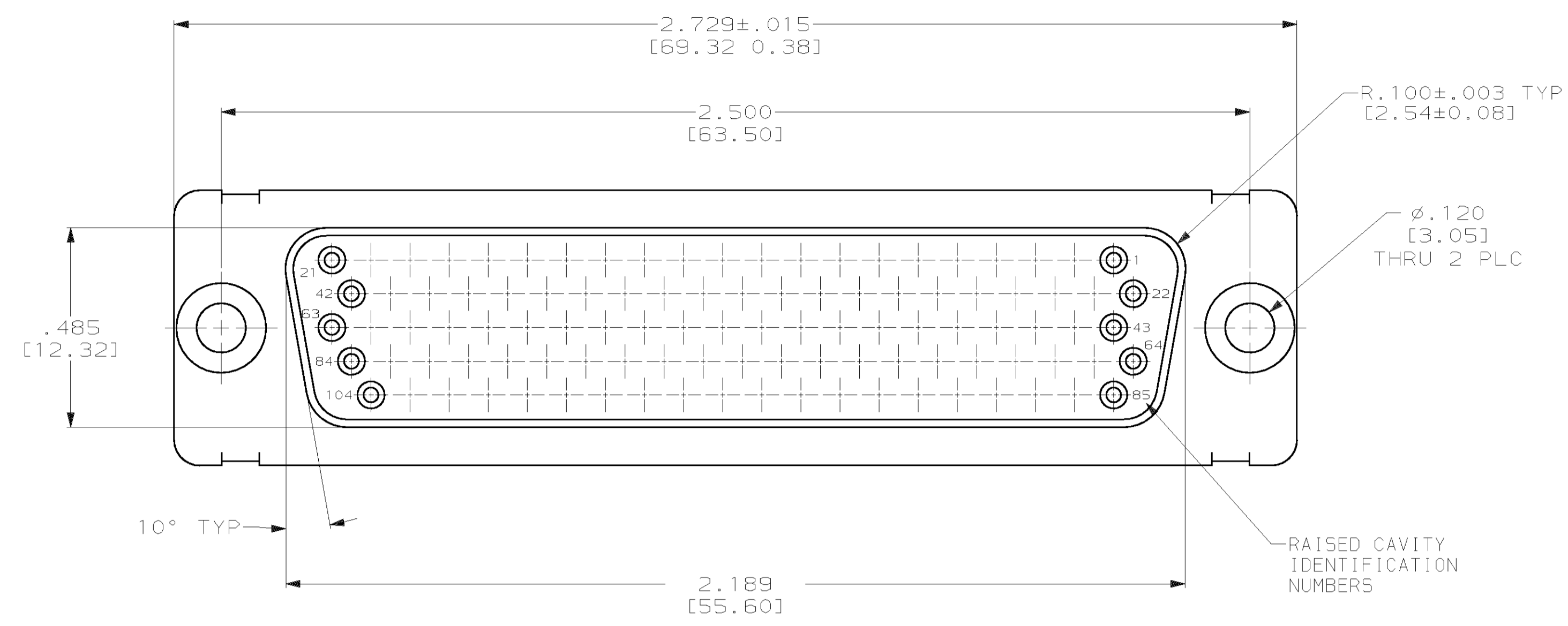
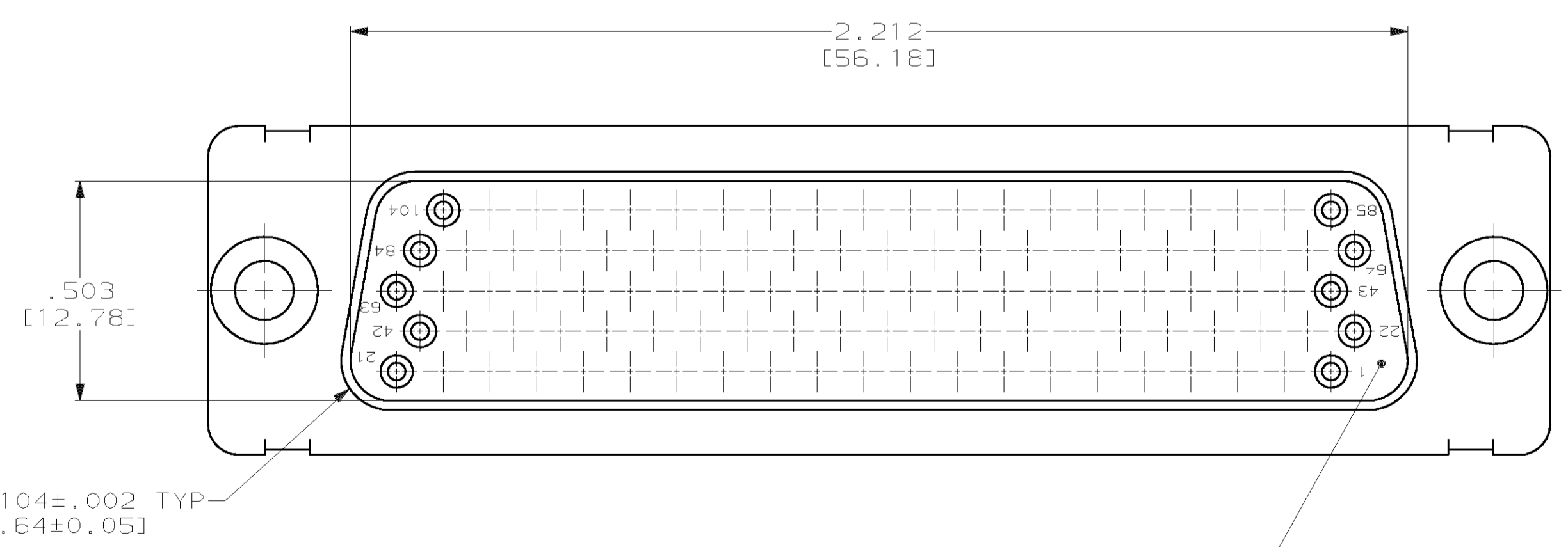
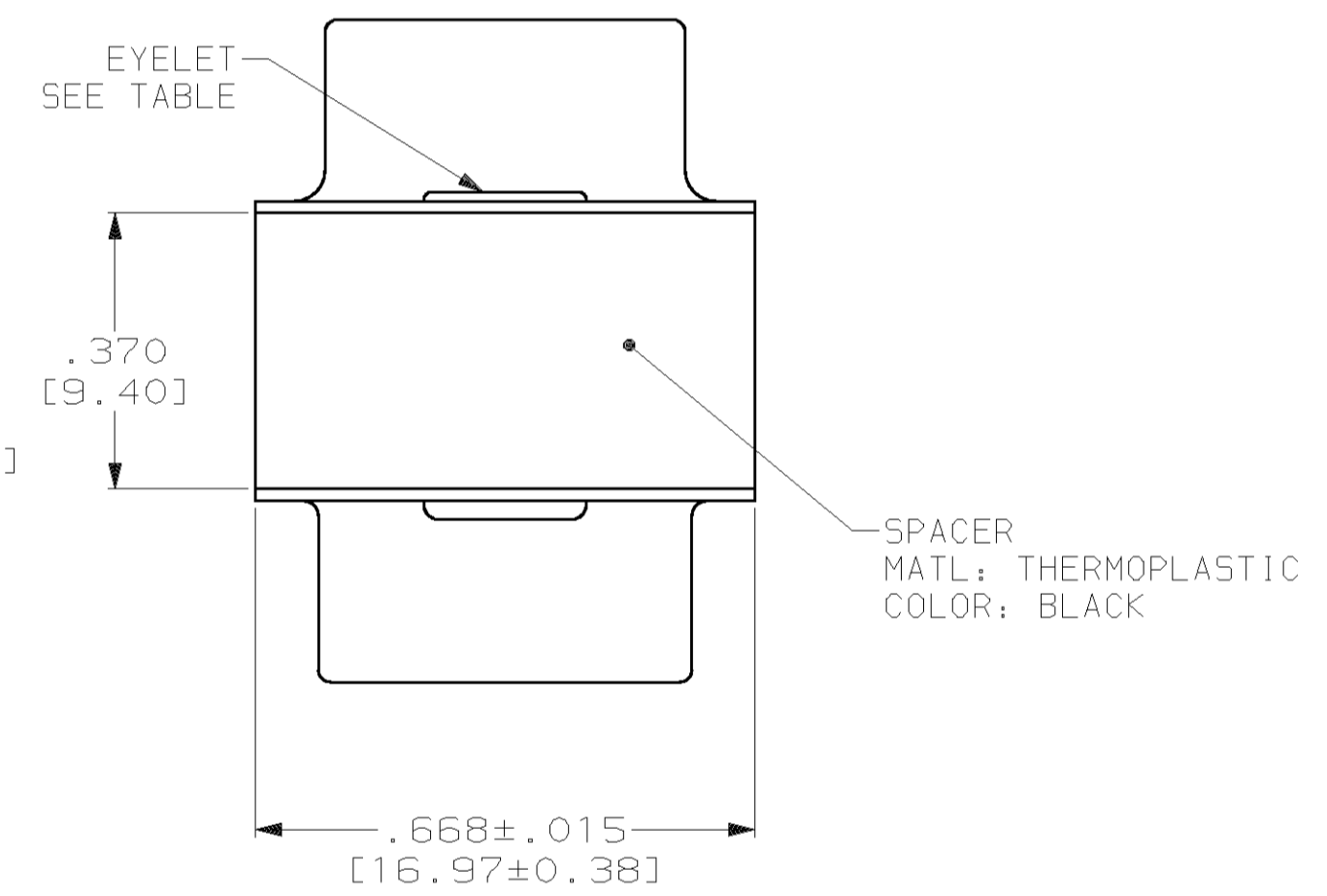
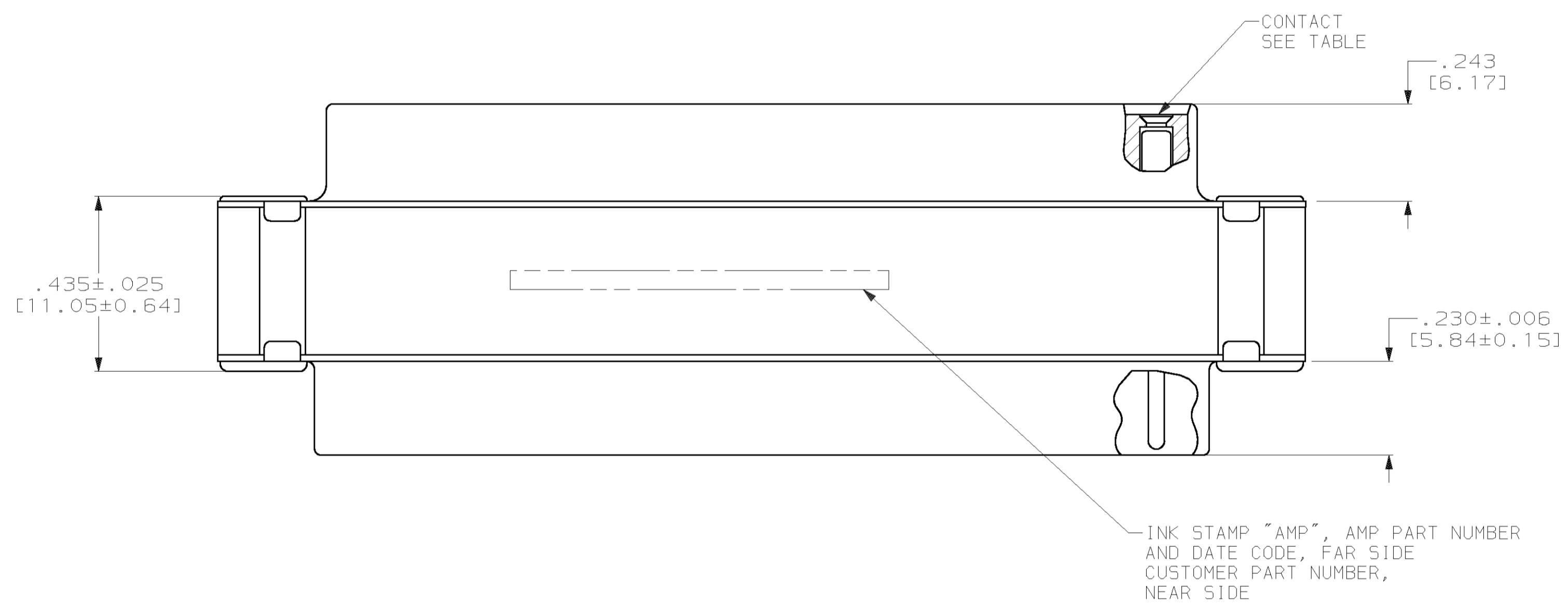


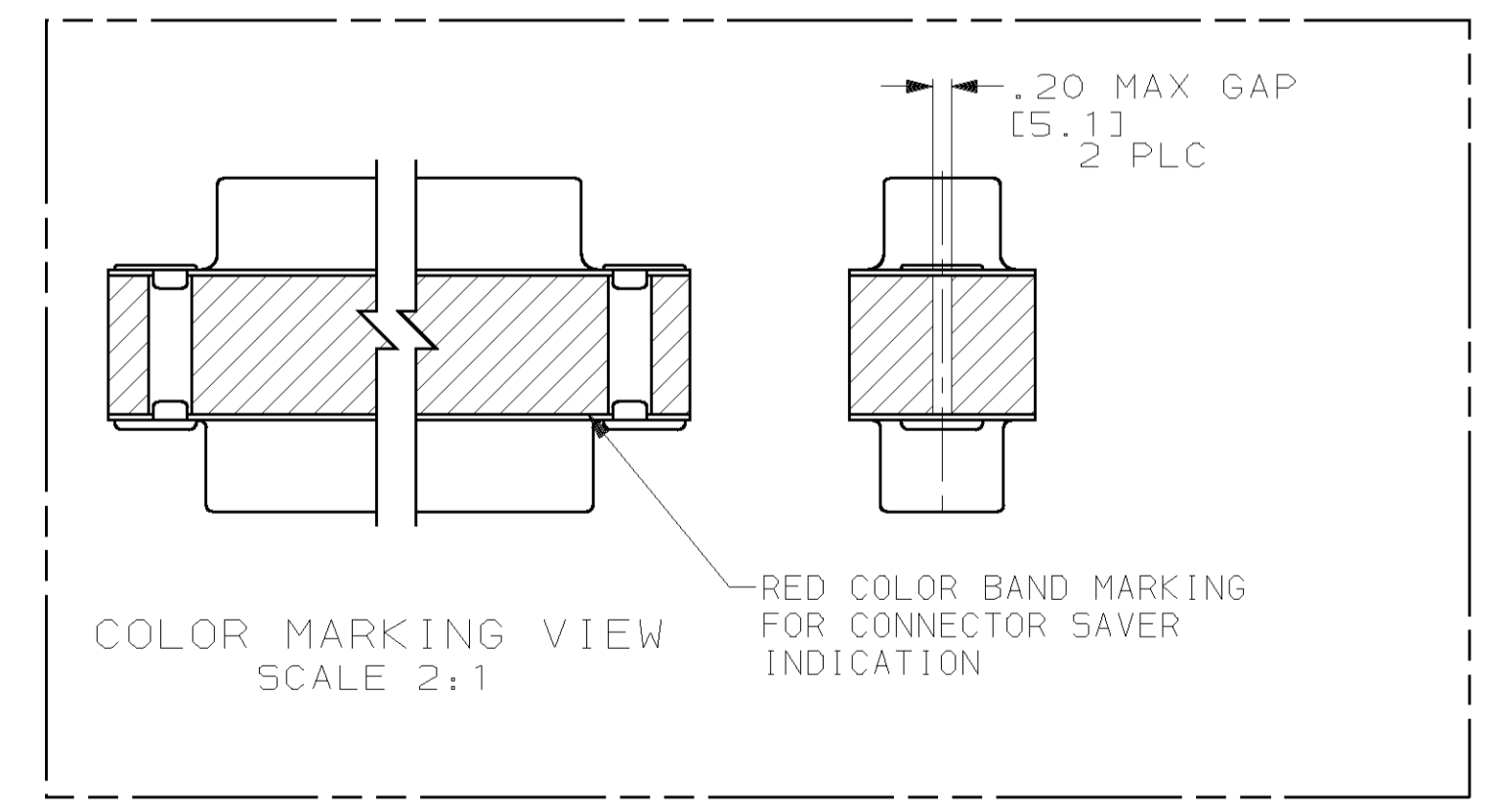
LOC		DIST		REVISIONS			
DF	DO	TR	LYR	DESCRIPTION	DATE	DMN	APVD
		C	REV PER	0630-320-01	5-02	CT	DM
		D	REV PER	0630-0169-02	7-03	JMK	LO



1. CONTACTS INCLUDED IN ASSEMBLY.
- 2 CONTACT
 BODY MATL: BERYLLIUM COPPER PER ASTM-B-197.
 BODY FINISH: PLATED GOLD, .000050 MIN THK PER MIL-G-45204 OVER NICKEL, .000050 MIN THK PER QQ-N-290.
 HOOD MATL: STAINLESS STEEL PER ASTM-A-167.
 HOOD FINISH: PASSIVATED PER ASTM-A-380
- 3 MATL: BRASS PER ASTM-B-36.
- 4 FINISH: PLATED GOLD, .000050 MIN THK PER MIL-G-45204 OVER COPPER, .000100 MIN THK PER MIL-C-14550.



INSERT ASSEMBLY
 MATL: POLYESTER PER MIL-M-24519 TYPE GPT-30F COLOR: BLUE OR POLYPHENYLENE SULFIDE (PPS) PER MIL-M24519, TYPE GST-40F COLOR: BLACK



3/4	3/4	2	4U884 SOCN R10002677-0011 (1J02-011)	1218313-2
3/4	3/4	2		1218313-1
EYELET	SHELLS	CONTACT	CUSTOMER P/N	PART NO.
THIS DRAWING IS A CONTROLLED DOCUMENT.		I. THOMPSON 20AUG98		AMP Incorporated Harrisburg, PA 17105-3608
DIMENSIONS: IN (mm)		TOLERANCES UNLESS OTHERWISE SPECIFIED.		CHK: J. NORTON 20AUG98
0 PLC ±.010		1 PLC ±.005		APVD: J. NORTON 20AUG98
1 PLC ±.005		2 PLC ±.005		PRODUCT SPEC
2 PLC ±.005		3 PLC ±.005		APPLICATION SPEC
3 PLC ±.005		4 PLC ±.005		SIZE: A1
MATERIAL		FINISH		WEIGHT
				SCALE: 4:1
				SHEET 1 OF 1
				REV D