

NOTES:

1.0 ELECTRICAL SPECIFICATIONS:

- 1.1 FREQUENCY RANGE: 2.0 to 8.0 GHz
- 1.2 FREQ. SENSITIVITY: $\pm 0.60\text{dB}$
- 1.3 VSWR (MAX): 1.40:1
- 1.4 INSERTION LOSS: 0.70dB MAX. (EXCLUDING COUP. LOSS)
- 1.5 DIRECTIVITY:
 - 2 to 8 GHz: 18dB MIN.
- 1.6 POWER: SEE TABLE
- 1.7 RF IMPEDANCE: 50 OHMS
- 1.8 COUPLING: SEE TABLE
- 1.9 WEIGHT (MAX.): 7.0 oz.

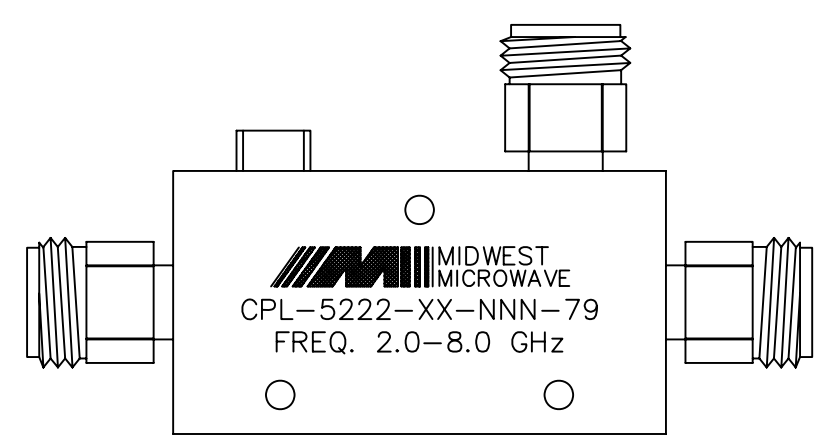
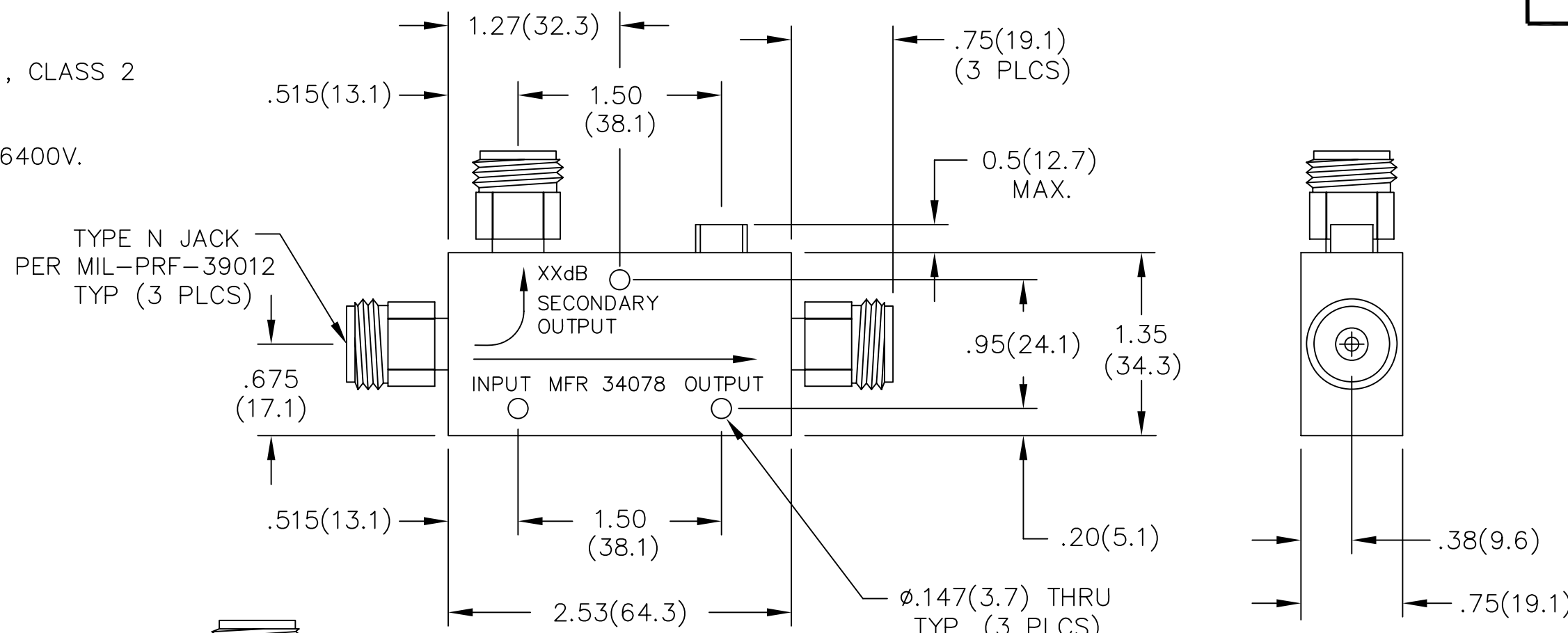
2.0 FINISHING:

- 2.1 GREY OVER MIL-E-15090 TYPE II, CLASS 2
OVER MIL-C-5541 CLASS 3A
MEETS MIL-F-14072
MEETS MIL-E-5400 AND MIL-E-16400V.
- 2.2 MARK UNIT AS SHOWN.
REF: SLK-08029-82-[20-23]

3.0 DIMENSIONS IN PARENTHESIS ARE IN MILLIMETERS.

MIDWEST MODEL NUMBER CPL-5222-XX-NNN-79	NOMINAL COUPLING	POWER(WATTS)		
		INPUT	REF	PEAK
CPL-5222-06-NNN-79	6 $\pm 1.0\text{dB}$	50	10	4000
CPL-5222-10-NNN-79	10 $\pm 1.0\text{dB}$	50	10	4000
CPL-5222-16-NNN-79	16 $\pm 1.0\text{dB}$	50	40	4000
CPL-5222-20-NNN-79	20 $\pm 1.0\text{dB}$	50	50	4000

MODEL NUMBER
CPL-5222-XX-NNN-79
REV.
A1



BACKSIDE MARKING

UNLESS OTHERWISE NOTED DIMENSIONS ARE IN INCHES AND TOLERANCES ARE:		FSCM NO. 34078		MIDWEST MICROWAVE	
3 PLACE DECIMALS $\pm .005$		NOTICE: The information contained in this drawing is proprietary and must not be used without the permission of Midwest Microwave		TITLE DIRECTIONAL COUPLER	
2 PLACE DECIMALS $\pm .02$					
FRACTIONS $\pm 1/64$		DRAWN/DATE J.VERNON 8/7/97		ENG./DATE J.O'NEIL 10/14/97	
PARALLELITY: T.I.R. _____		CHECKED/DATE		APPROVED/DATE	
FLATNESS: T.I.R. _____		DRAWING NUMBER CPL-5222-XX-NNN-79			
CONCENTRICITY: T.I.R. _____		SCALE: 1=1 SHEET 1 of 1			
ANGLES AND PERPENDICULARITY: $\pm 1^\circ$					

REV.	DESCRIPTION	DATE
-	RELEASED	10/14/97
A	ECN 16439	1/20/98
A1	ADDED TITLEBLOCK	4/22/05