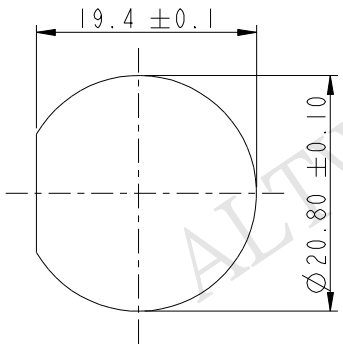
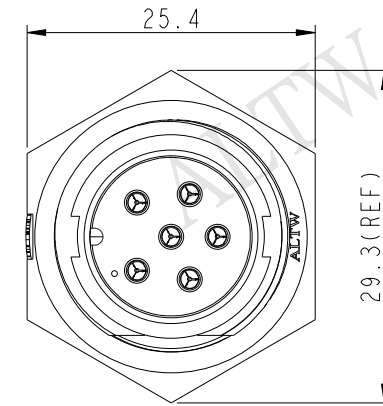
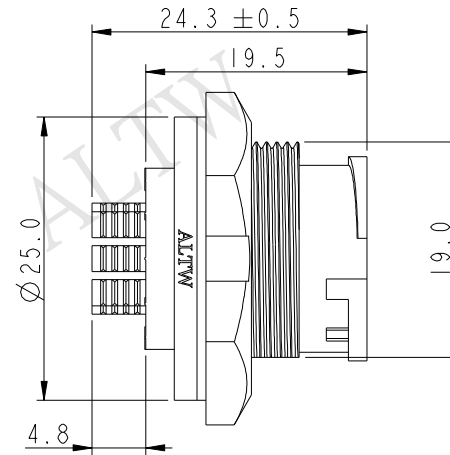
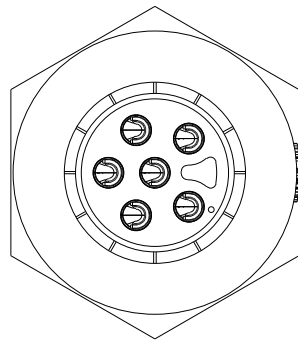


REV.	ECN NO.	DATE	SIGN	DESCRIPTION

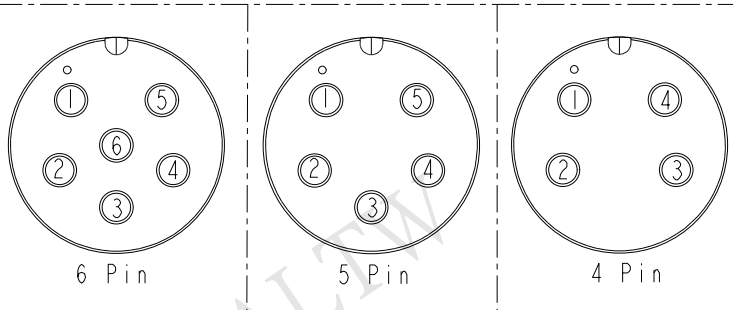
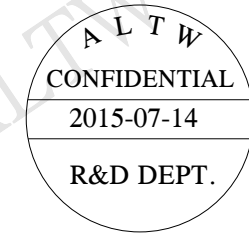
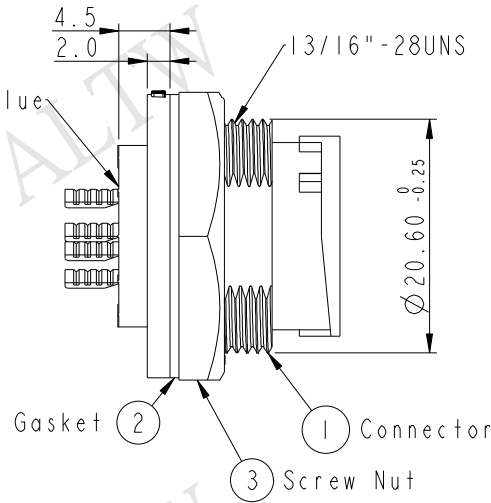


Recommended Panel
Cut-Out



ACB-XXPMMS-LC7001
04: 4Pin
06: 6Pin

With Liquid Glue



Pin Assignments Front View

Note:

- * (QC) Important Dimension To Check.
- * Waterproof Rate: IP67
- * Housing: Black, Nylon+GF
- * Male Pin: Copper Alloy, Gold Plated
- * Screw Nut: Nylon+GF, Black
- * Gasket: Silicone, Gray
- * Use with waterproof cap or dust cap
Maximum Panel Thickness: 2.8mm
- * Use without waterproof cap or dust cap
Maximum Panel Thickness: 4.0mm

UNIT: mm		TITLE	MIDDLE PANEL LOCK M CONN M PIN		
TOLERANCE	.X ±0.25 .XX ±0.1 .XXX ±0.05 ANGLES ±1°	SCALE	3:2	SIZE	A4
REV.	A	WC-REV.	A.1	SHEET	1 OF 1
		(QC): Inspection item			

Amphenol LTW
安費諾亮泰企業股份有限公司

ITEM NO	DRAWN BY	DATE
DWG NO	CHECKED BY	DATE
CUSTOMER	APPROVED BY	DATE
ALTW	Jinhai Rensong Jerry	2015-07-14 2015-07-14 2015-07-14

THIS DOCUMENT IS SUBJECT TO CHANGE WITHOUT NOTICE. IT IS CONFIDENTIAL AND A PROPERTY OF Amphenol LTW. DISCLOSURE TO THIRD PARTY HAS TO BE AUTHORIZED BY Amphenol LTW.