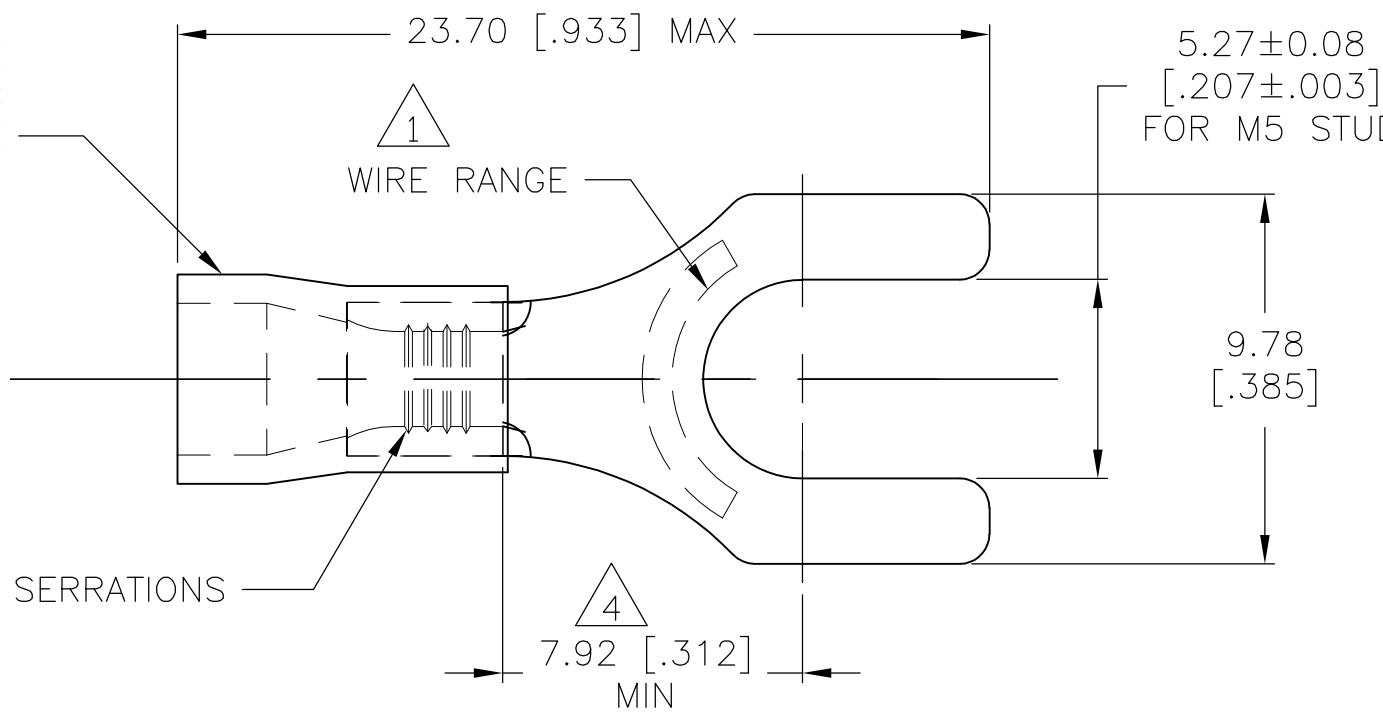


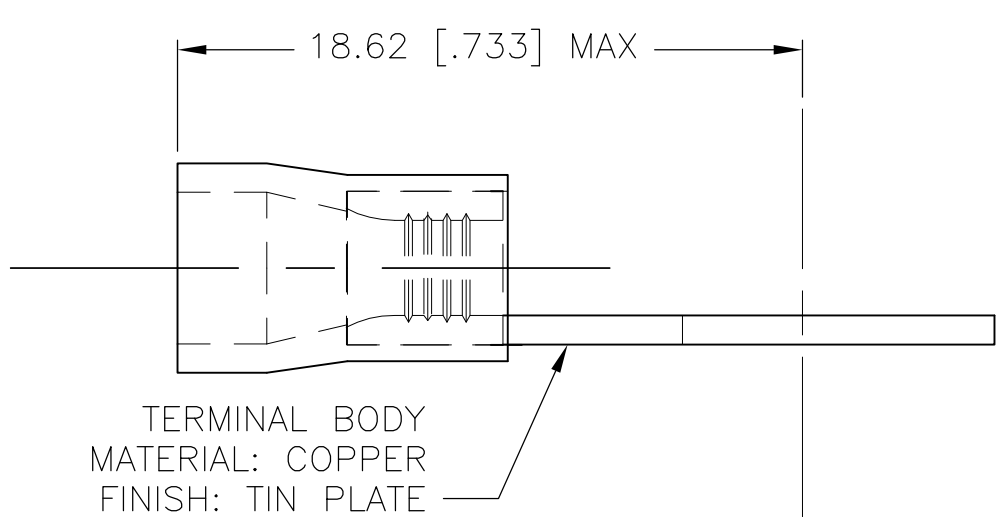
THIS DRAWING IS UNPUBLISHED. RELEASED FOR PUBLICATION
© COPYRIGHT BY TYCO ELECTRONICS CORPORATION. ALL RIGHTS RESERVED.

| LOC | DIST | REVISIONS | | | | | |
|-----|------|-----------|-----|-----------------------|---------|-----|------|
| G | 02 | P | LTR | DESCRIPTION | DATE | DWN | APVD |
| | | E | | REV PER ECR 09-025898 | 02DEC09 | JR | TM |

INSULATION SLEEVE
MATERIAL: PVC
COLOR: BLUE



- 1 WIRE SIZE IS 16-14 AWG
- 2 WIRE INSULATION DIA: 3.0-4.9
- 3 MATERIAL THICKNESS IS 0.80±0.05
- 4 DIMENSION APPLIES FROM EDGE OF METAL WIRE BARREL TO CENTER OF STUD HOLE.
- 5 600 VOLT MAX
- 6 CIRCULAR MIL AREA: 2,050 - 5,180 (1.04mm²-2.62mm²)
- 7 SUPERSEDED BY 160171



| .195 | ON TAPE | - | 7 2-160171-1 |
|---------|----------------|------|--------------|
| .173 | LOOSE PIECE | 1000 | 7 160171-1 |
| .195 | LOOSE PIECE | 1000 | 160171 |
| DIM "X" | PACKAGING TYPE | QTY | PART NO |

| | | | | |
|--|-------------------|---|---|--|
| THIS DRAWING IS A CONTROLLED DOCUMENT. | | DWN jr_ruth 02DEC09 | Tyco Electronics Corporation Harrisburg, PA 17105-3608 | |
| DIMENSIONS: mm [INCHES] | | CHK T MICHELUTTI 02DEC09 | NAME | |
| TOLERANCES UNLESS OTHERWISE SPECIFIED: | | APVD T MICHELUTTI 02DEC09 | PRODUCT SPEC | |
| 0 PLC ± - | | APPLICATION SPEC | | |
| 1 PLC ± 0.5 | | SIZE CAGE CODE DRAWING NO RESTRICTED TO | | |
| 2 PLC ± - | | A3 00779 C-160171 | | |
| 3 PLC ± - | | SCALE 5:1 SHEET 1 OF 1 REV E | | |
| 4 PLC ± - | | | | |
| ANGLES ± 1° | | | | |
| MATERIAL COPPER | FINISH TIN PLATED | CUSTOMER DRAWING | | |