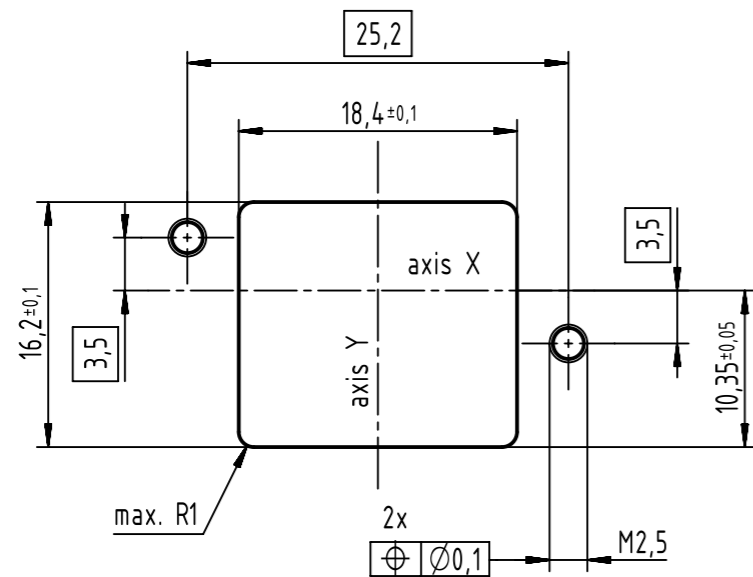
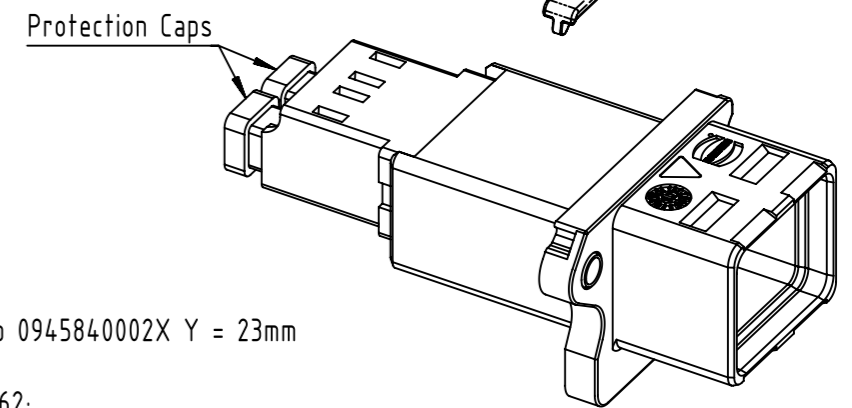


panel cutting



connector pitch on panel:
axis X = 27mm and axis Y = 21mm 2

Coding Clip for Receptacle
see TB 0945840002X
please order separately



2 connector pitch with coding clip 0945840002X Y = 23mm

1 2x M2.5; screws acc. to ISO 4762;
please order separately; bolting torque 0.3 Nm - 0.5 Nm

	All rights reserved Department EC PD - DE	All Dimensions in mm Original Size DIN A3		Scale 2:1	Free size tol.	Ref.
						Sub.
		Created by ELLERMANN	Inspected by ZWAHR	Standardisation KOHLER	Date 2018-05-30	State Final Release
HARTING Electronics GmbH D-32339 Espelkamp		Title HARTING PushPull V4, IP67 Receptacle, MM GOF				Doc-Key / ECM-Nr. 100679595/UGD/000/E 500000135700
		Type TB	Number 09574420511000		Rev. E	Page 1/1